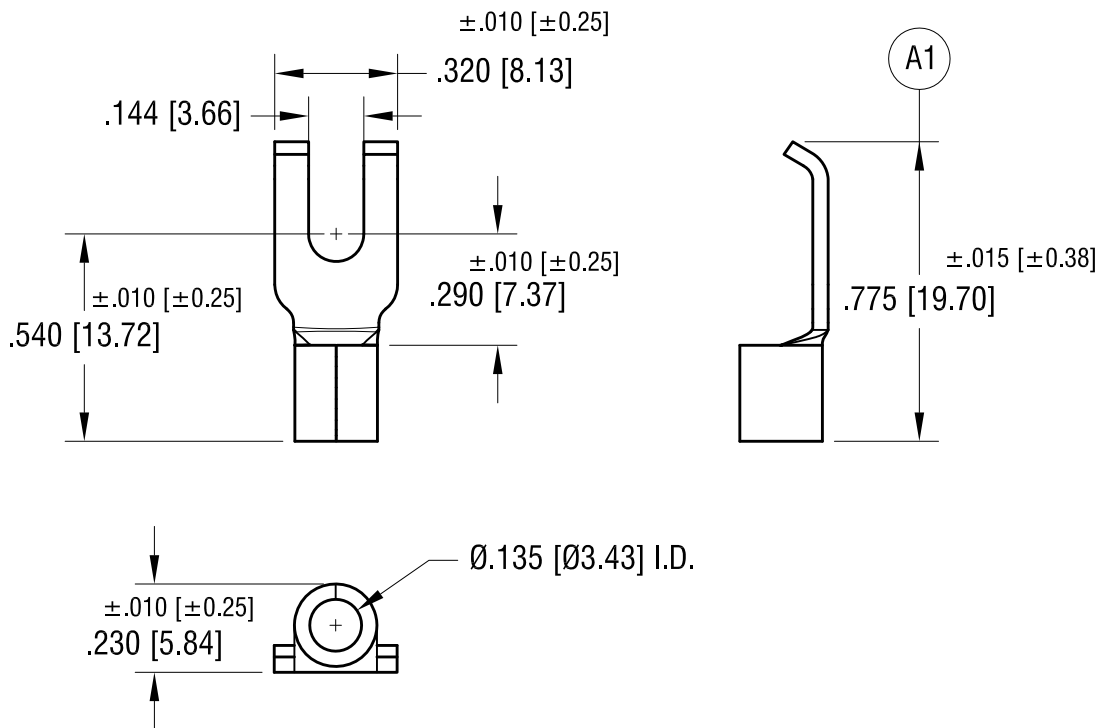
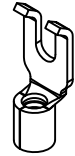


THIS DOCUMENT IS THE PROPERTY OF KEYSTONE ELECTRONICS CORP. AND SHALL NOT BE REPRODUCED, DISTRIBUTED OR USED AS A BASIS FOR MANUFACTURE WITHOUT PRIOR WRITTEN PERMISSION FROM KEYSTONE ELECTRONICS CORP.

ACTUAL SIZE



NOTE:

1. ACCOMMODATES WIRE RANGE 12/10 AWG

12.13.17	A1 WAS .730 [18.54] CHANGE AS PER ECN 17-075	A
DATE	DESCRIPTION	REV.

KEYSTONE ELECTRONICS CORP.			
www.keyelco.com • NEW HYDE PARK, NY 11040 • Tel (516) 328-7500			
PART NAME FLANGE BLOCK SPADE TERMINAL			
MATERIAL .040 [1.02] TH'K COPPER			
FINISH TIN PLATE		DRN BY NT	DATE 10.29.07
		APP'D LN	SCALE 2X
TOLERANCES	INCH [MM]	CODE	DWG NO.
DECIMAL	$\pm .005 [\pm 0.13]$	C	8242
ANGULAR	$\pm 1^\circ$		
UNLESS OTHERWISE SPECIFIED			