

# MATERIALS & SPECIFICATIONS

PART NO.	A 79045-001	REV	ECO	DATE	APP
		B	99105	12-07-12	TLM

**INSULATOR:**  
THERMOPLASTIC PER MIL-M-24519, TYPE GLCP-30F OR GST-40F NATURAL

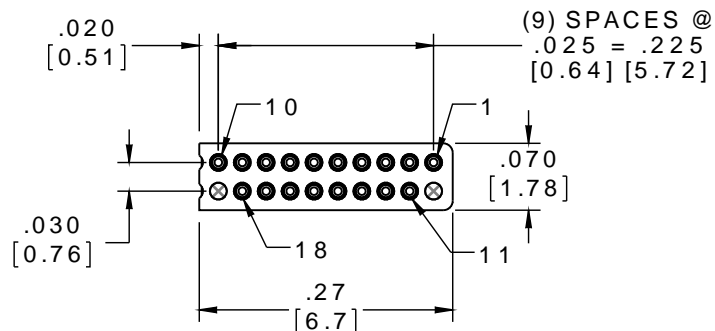
**CONTACT:**  
COPPER ALLOY PER MIL-DTL-32139. GOLD PLATED PER ASTM B488, (HARD GOLD) TYPE II CODE C CLASS 1.27

**TERMINATION:**  
34 AWG (7-42) PTFE, COLOR CODED PER TABLE

**GUIDE POST:**  
BERYLLIUM COPPER ALLOY PER ASTM B196. ELECTROLESS NICKEL PER SAE-AMS-2404

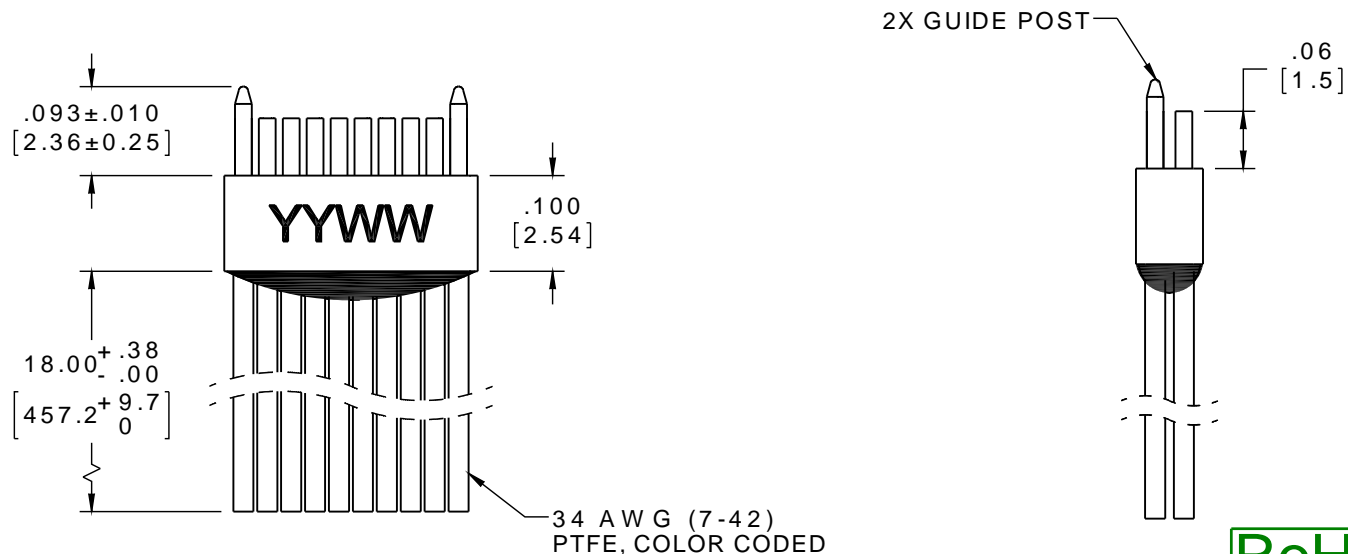
**CURRENT CAPACITY:**  
1 AMP MAX PER MIL-DTL-32139

**CONTACT RESISTANCE:**  
71 MILLIOHMS (71mV) MAX @ 1.0 AMPS PER MIL-DTL-32139



SOCKET #	COLOR
1, 11	BLACK
2, 12	BROWN
3, 13	RED
4, 14	ORANGE
5, 15	YELLOW
6, 16	GREEN
7, 17	BLUE
8, 18	VIOLET
9	GRAY
10	WHITE

**INTERNAL USE ONLY**  
SHEET 2 OF 2 IS  
MANUFACTURING  
LOADING DIAGRAM



NOTE:

DIMENSIONS IN [ ] ARE IN MILLIMETERS UNLESS OTHERWISE NOTED AND ARE FOR REFERENCE ONLY

NSD DSD SLD AWD	THIRD ANGLE
	-TOLERANCES- UNLESS OTHERWISE NOTED
	DIMENSIONS IN INCHES
	2 PL DEC ± .01 3 PL DEC ± .005 4 PL DEC ± .0005 ANGLES ± 1°

THIS DRAWING CONTAINS CONFIDENTIAL AND PROPRIETARY INFORMATION WHICH IS THE PROPERTY OF OMNETICS CONNECTOR CORP. THIS DOCUMENT MAY NOT, IN WHOLE OR IN PART, BE DUPLICATED, OR DISCLOSED FOR ANY PURPOSE, WITHOUT WRITTEN PERMISSION FROM OMNETICS CONNECTOR CORP.	
DFTM. DGJ	DATE 09-09-11
CHK'D.	DATE
APP'D.	DATE
TITLE: (18) SOCKET FEMALE NANO DUAL ROW CONNECTOR W/GUIDE POSTS	

**OMNETICS**  
CONNECTOR CORPORATION  
7260 COMMERCE CIRCLE EAST  
MINNEAPOLIS, MN 55432  
WWW.OMNETICS.COM

CAGE CODE 61873	
DWG NO. A79045-001	
SHEET 1 OF 2	REV B
SCALE: 5:1	