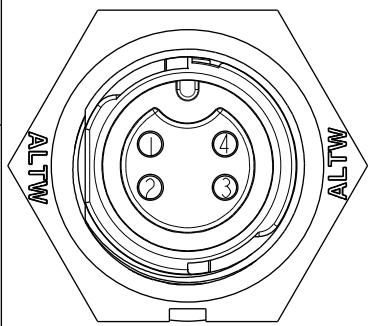
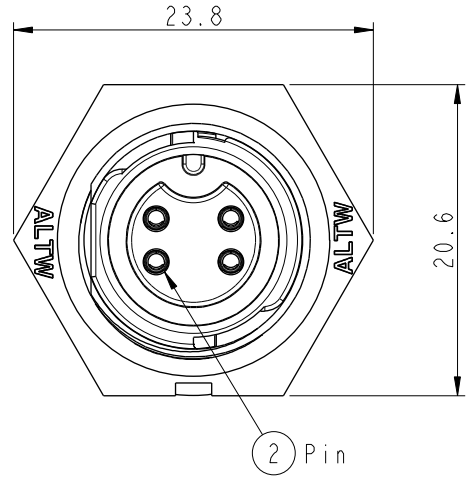
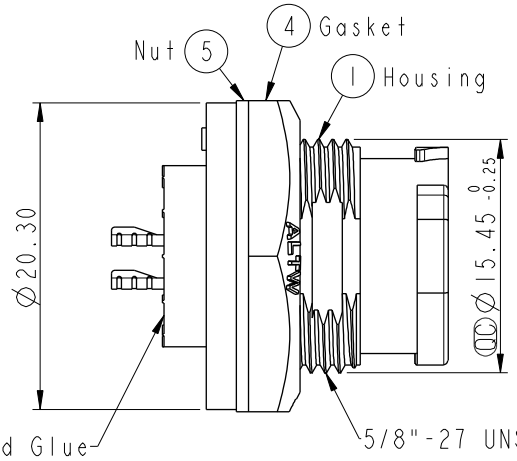
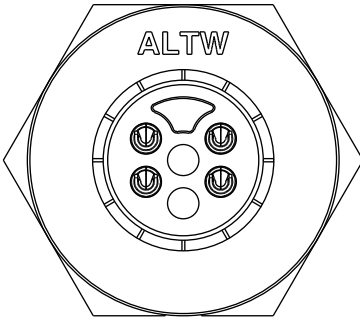


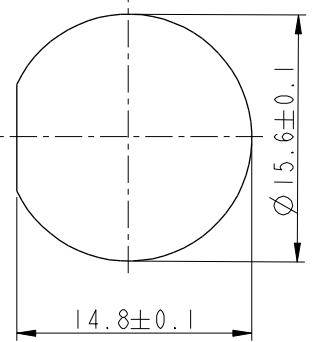
THIS DOCUMENT IS SUBJECT TO CHANGE WITHOUT NOTICE. IT IS CONFIDENTIAL AND A PROPERTY OF Amphenol LTW. DISCLOSURE TO THIRD PARTY HAS TO BE AUTHORIZED BY Amphenol LTW.

REV.	ECN NO.	DATE	SIGN	DESCRIPTION
B	C190411	2019/03/19	Vicky	Change Note

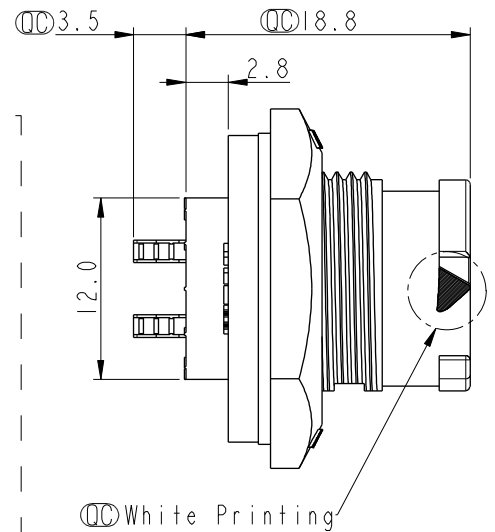
ALTW
 CONFIDENTIAL
 2019-03-19
 R&D DEPT.



Pin Assignments
Front View



Recommended Panel Cut-out



- Note:**
- * ⌀ Important Dimension To Check.
 - * Waterproof Rate: IP68, Unmated.
In 1 meter water within 24 hours
 - * Housing: Thermoplastic, Black.
 - * Pin: Copper Alloy, Gold Plated.
 - * Nut: Thermoplastic, Black.
 - * Gasket: Rubber, Gray.
 - * Use Without Waterproof Cap
Panel Thickness Max: 4.0mm
 - * Use With Waterproof Cap
Panel Thickness Max: 3.0mm
 - * Gasket and Nut are packed separately in PE bags.

UNIT:mm	
TOLERANCE X ±0.25	

TITLE X Lok B-Size Receptacle M Conn F 4 Pin			
SCALE 2:1	SIZE A4	SHEET 1	OF 1
REV. B	WC-REV. A.4	⌀ : Inspection item	

Amphenol LTW
 安費諾亮泰企業股份有限公司

ITEM NO BD-04PMFS-QC8001	DRAWN BY Vicky	DATE 2019-03-19
DWG NO BD-04PMFS-QC8001	CHECKED BY Rita	DATE 2019-03-19
CUSTOMER ALTW	APPROVED BY Max	DATE 2019-03-19