

## HIGH POWER NPN SILICON TRANSISTOR

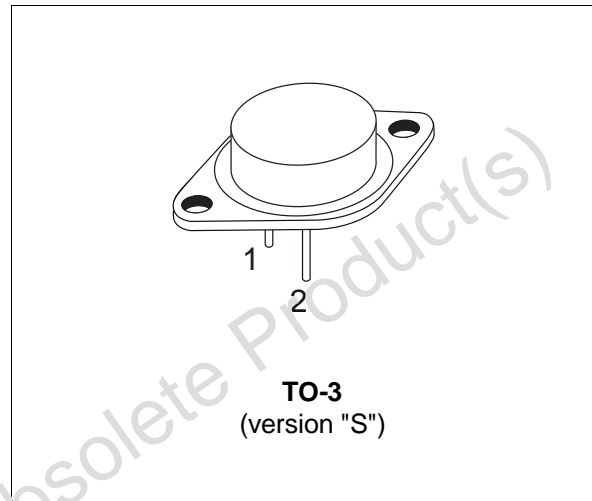
- NPN TRANSISTOR
- HIGH CURRENT CAPABILITY
- FAST SWITCHING SPEED
- HIGH RUGGEDNESS
- LOW COLLECTOR EMITTER SATURATION

### APPLICATIONS

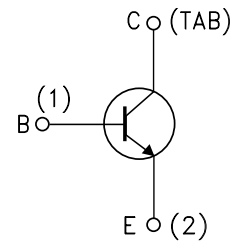
- UNINTERRUPTABLE POWER SUPPLY
- MOTOR CONTROL
- LINEAR AND SWITCHING INDUSTRIAL EQUIPMENT

### DESCRIPTION

The BUT90 is a Multiepitaxial Planar NPN Transistor in TO-3 package. It is intended for use in high frequency and efficiency converters, switching regulators and motor control.



### INTERNAL SCHEMATIC DIAGRAM



### ABSOLUTE MAXIMUM RATINGS

Symbol	Parameter	Value	Unit
$V_{CEV}$	Collector-Emitter Voltage ( $V_{BE} = -1.5\text{ V}$ )	200	V
$V_{CEO}$	Collector-Emitter Voltage ( $I_B = 0$ )	125	V
$V_{EBO}$	Emitter-Base Voltage ( $I_C = 0$ )	10	V
$I_C$	Collector Current	50	A
$I_{CM}$	Collector Peak Current ( $t_p = 10\text{ ms}$ )	120	A
$I_B$	Base Current	12	A
$I_{BM}$	Base Peak Current ( $t_p = 10\text{ ms}$ )	32	A
$P_{tot}$	Total Power Dissipation at $T_{case} \leq 25\text{ °C}$	250	W
$T_{stg}$	Storage Temperature	-65 to 200	°C
$T_j$	Max Operating Junction Temperature	200	°C

# BUT90

## THERMAL DATA

R <sub>thj-case</sub>	Thermal Resistance Junction-case	Max	0.7	°C/W
-----------------------	----------------------------------	-----	-----	------

## ELECTRICAL CHARACTERISTICS (T<sub>case</sub> = 25 °C unless otherwise specified)

Symbol	Parameter	Test Conditions	Min.	Typ.	Max.	Unit
I <sub>CEr</sub>	Collector Cut-off Current (R <sub>BE</sub> = 10 Ω)	V <sub>CE</sub> = V <sub>CEV</sub> V <sub>CE</sub> = V <sub>CEV</sub> T <sub>c</sub> = 100 °C			0.4 4	mA mA
I <sub>CEV</sub>	Collector Cut-off Current (V <sub>BE</sub> = -1.5V)	V <sub>CE</sub> = V <sub>CEV</sub> V <sub>CE</sub> = V <sub>CEV</sub> T <sub>c</sub> = 100 °C			0.2 2	mA mA
I <sub>EBO</sub>	Emitter Cut-off Current (I <sub>C</sub> = 0)	V <sub>EB</sub> = 7 V			1	mA
V <sub>CEO(sus)*</sub>	Collector-Emitter Sustaining Voltage (I <sub>B</sub> = 0)	I <sub>C</sub> = 0.2 A L = 25 mH	125			V
V <sub>EBO</sub>	Emitter-Base Voltage (I <sub>C</sub> = 0)	I <sub>E</sub> = 50 mA	10			V
V <sub>CE(sat)*</sub>	Collector-Emitter Saturation Voltage	I <sub>C</sub> = 35 A I <sub>B</sub> = 1.75 A I <sub>C</sub> = 70 A I <sub>B</sub> = 7 A I <sub>C</sub> = 35 A I <sub>B</sub> = 1.75 A T <sub>c</sub> = 100 °C I <sub>C</sub> = 70 A I <sub>B</sub> = 7 A T <sub>c</sub> = 100 °C		0.55 0.8 0.75 1.2	0.9 0.9 1.2 1.5	V V V V
V <sub>BE(sat)*</sub>	Base-Emitter Saturation Voltage	I <sub>C</sub> = 35 A I <sub>B</sub> = 1.75 A I <sub>C</sub> = 70 A I <sub>B</sub> = 7 A I <sub>C</sub> = 35 A I <sub>B</sub> = 1.75 A T <sub>c</sub> = 100 °C I <sub>C</sub> = 70 A I <sub>B</sub> = 7 A T <sub>c</sub> = 100 °C		1 1.45 1 1.65	1.3 1.8 1.4 2	V V V V

## RESISTIVE LOAD

Symbol	Parameter	Test Conditions	Min.	Typ.	Max.	Unit
t <sub>r</sub>	Rise Time	V <sub>CC</sub> = 100 V I <sub>C</sub> = 70 A		0.8	1.2	μs
t <sub>s</sub>	Storage Time	I <sub>B1</sub> = - I <sub>B2</sub> = 7 A t <sub>p</sub> = 30 μs		0.9	1.5	μs
t <sub>f</sub>	Fall Time			0.2	0.4	μs
t <sub>r</sub>	Rise Time	V <sub>CC</sub> = 100 V I <sub>C</sub> = 70 A		1.1	1.6	μs
t <sub>s</sub>	Storage Time	I <sub>B1</sub> = - I <sub>B2</sub> = 7 A t <sub>p</sub> = 30 μs		1.2	2	μs
t <sub>f</sub>	Fall Time	T <sub>j</sub> = 100 °C		0.3	0.6	μs

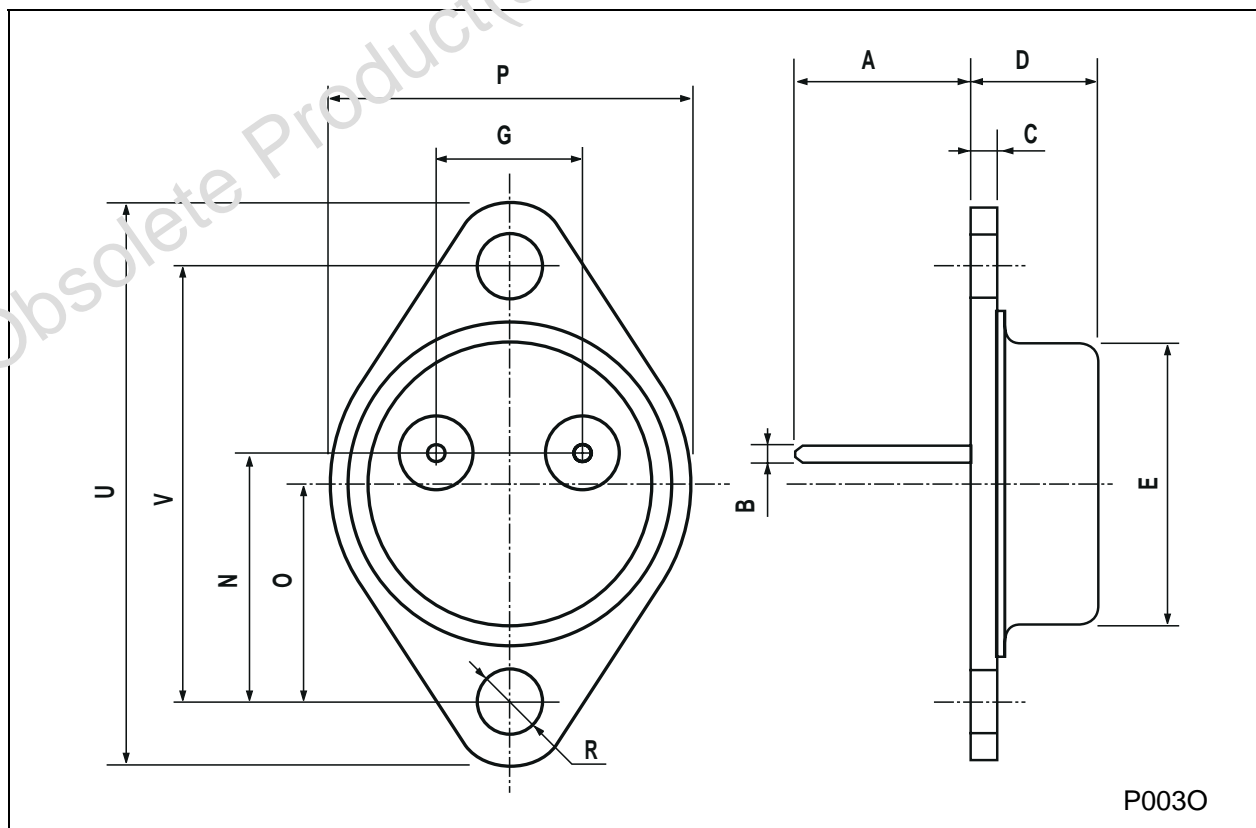
## INDUCTIVE LOAD

Symbol	Parameter	Test Conditions	Min.	Typ.	Max.	Unit
t <sub>s</sub>	Storage Time	V <sub>CC</sub> = 100 V V <sub>Clamp</sub> = 125 V		1.25	2	ms
t <sub>f</sub>	Fall Time	I <sub>C</sub> = 70 A I <sub>B1</sub> = - I <sub>B2</sub> = 7 A L <sub>C</sub> = 70 μH		0.16	0.3	μs
t <sub>s</sub>	Storage Time	V <sub>CC</sub> = 100 V V <sub>Clamp</sub> = 125 V		1.5	2.3	μs
t <sub>f</sub>	Fall Time	I <sub>C</sub> = 70 A I <sub>B1</sub> = - I <sub>B2</sub> = 7 A L <sub>C</sub> = 70 μH T <sub>j</sub> = 100 °C		0.25	0.5	μs

\* Pulsed : Pulse duration = 300 μs, duty cycle = 2%

**TO-3 (version S) MECHANICAL DATA**

DIM.	mm			inch		
	MIN.	TYP.	MAX.	MIN.	TYP.	MAX.
A	11.00		13.10	0.433		0.516
B	1.47		1.60	0.058		0.063
C	1.50		1.65	0.059		0.065
D	8.32		8.92	0.327		0.351
E	19.00		20.00	0.748		0.787
G	10.70		11.10	0.421		0.437
N	16.50		17.20	0.649		0.677
P	25.00		26.00	0.984		1.023
R	4.00		4.09	0.157		0.161
U	38.50		39.30	1.515		1.547
V	30.00		30.30	1.187		1.193



Obsolete Product(s) - Obsolete Product(s)

Information furnished is believed to be accurate and reliable. However, STMicroelectronics assumes no responsibility for the consequences of use of such information nor for any infringement of patents or other rights of third parties which may result from its use. No license is granted by implication or otherwise under any patent or patent rights of STMicroelectronics. Specification mentioned in this publication are subject to change without notice. This publication supersedes and replaces all information previously supplied. STMicroelectronics products are not authorized for use as critical components in life support devices or systems without express written approval of STMicroelectronics.

The ST logo is a trademark of STMicroelectronics

© 2003 STMicroelectronics – Printed in Italy – All Rights Reserved

STMicroelectronics GROUP OF COMPANIES

Australia - Brazil - Canada - China - Finland - France - Germany - Hong Kong - India - Israel - Italy - Japan - Malaysia - Malta - Morocco - Singapore - Spain - Sweden - Switzerland - United Kingdom - United States.

<http://www.st.com>