

Amphenol Taiwan Corporation Product Change Notification

Part Numbers Concerned :	GSB3111XXXHR	Originator:	Debby Hung
Customer P/N:		Issue Date:	2021/06/16
Product Description:	USB 3.0 CONNECTOR STANDARD A R/A DIP TYPE R/A DIP TYPE	PCN NO:	1210-20000984
Distribution:			

Product Change Notice

Background:

Tooling now is too old, and almost broken, and hard to keep manufacturing components. Amphenol has been duplicated the new tooling, and improved the design and material change.

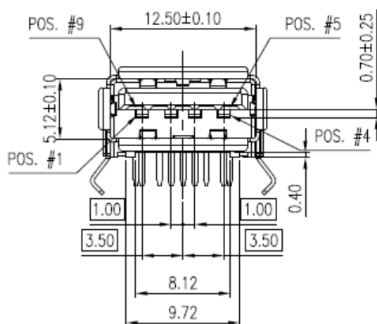
Design change including:

P/N: GSB3111XXXHR: REV:A2 -->

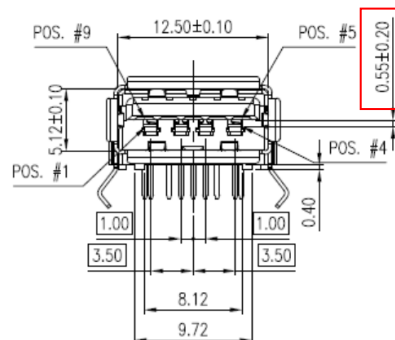
New P/N: GSB3111XXXHR:REV: B2

Old version part:

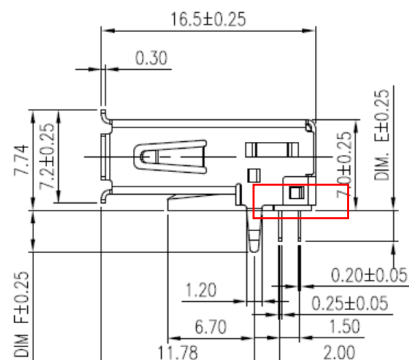
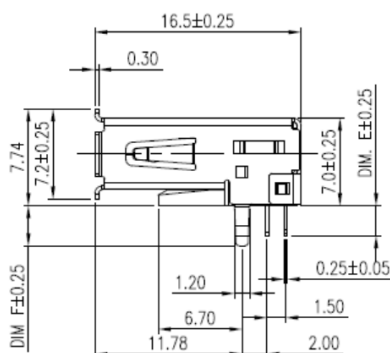
- Contact high reduces lower to meet required 10000 durability.



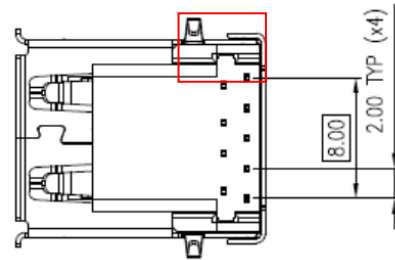
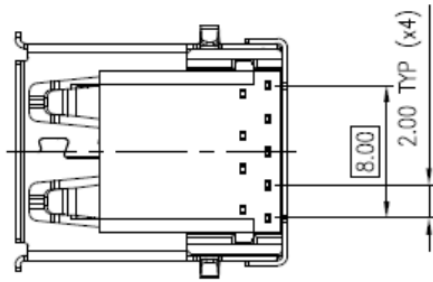
New version part:



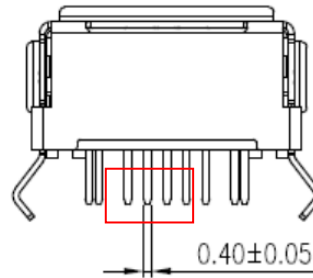
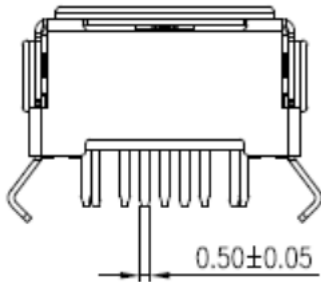
- The gap increasing between shell and PCB is to avoid short circuit and raise safety factor, and stand-off area change of housing is to avoid soldering overlapping.



Amphenol Taiwan Corporation Product Change Notification



3. Decreasing the width of terminal to avoid damage while connector mounting on PCB.



4. For market trend of high durability, shell material changed to stainless steel can meet more than 10000 cycle times.

5.

4. METAL SHELL: COPPER ALLOY, 0.3mm THICKNESS, 50 μ MIN. NICKEL UNDER-PLATED OVERALL

4. METAL SHELL: **STAINLESS STEEL** 0.3mm THICKNESS, 50 μ MIN. NICKEL UNDER-PLATED OVERALL

Product Part Number Affected:

GSB311113HR;GSB311111HR;GSB3111211HR;GSB3111215HR;GSB3111217HR;GSB311121HR;G
SB3111311HR;GSB3111313HR;GSB3111315HR;GSB3111316HR;GSB311131HR;GSB3111331HR;G
SB3111336HR;GSB311133HR;

Implementation date: 1st of October, 2021.

Running change

Recommended Action:

Sales representative to inform customers for the drawing update.

If customers need the new sample test, please come to product manager.

Max Chang, Product Manager,
886-3-2647200 ext 273
Max.chang@amphenol.com.tw

