

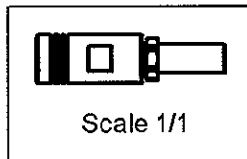
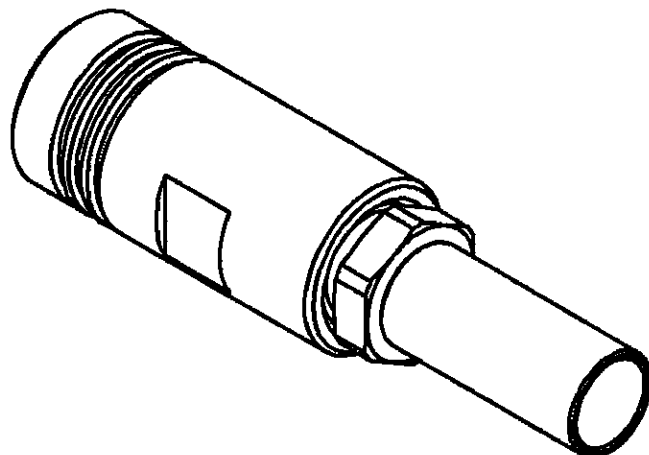
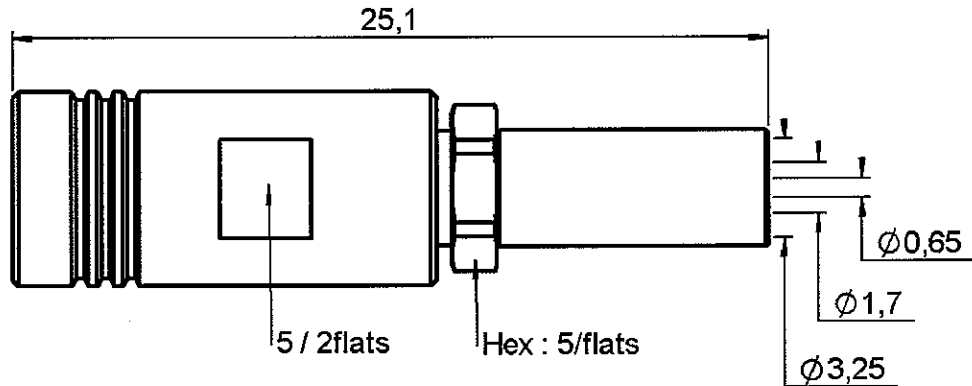
**STRAIGHT PLUG CRIMP TYPE**

**R114.075.000**

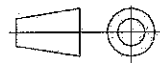
**CABLE 2.6/50+75 S**

Series : SMB

ORIGINAL



All dimensions are in mm.



COMPONENTS	MATERIALS	PLATINGS (µm)
BODY	BRASS	GOLD 0.2 OVER NICKEL 2
CENTER CONTACT	BERYLLIUM COPPER	GOLD 1.3 OVER NICKEL 2
OUTER CONTACT	BERYLLIUM COPPER	GOLD 0.2 OVER NICKEL 2
INSULATOR	PTFE	
GASKET	-	
OTHERS PARTS	BRASS	GOLD 0.2 OVER NICKEL 2
-	-	-
-	-	-

Issue : 0151 C

In the effort to improve our products, we reserve the right to make changes judged to be necessary.



**STRAIGHT PLUG CRIMP TYPE**

**R114.075.000**

**CABLE 2.6/50+75 S**

Series : **SMB**

**ORIGINAL**

**PACKAGING**

Standard	Unit	Other
<b>100</b>	<b>'W' option</b>	<b>Contact us</b>

**SPECIFICATION**

**ELECTRICAL CHARACTERISTICS**

Impedance		<b>50</b> Ω
Frequency		<b>0-4</b> GHz
VSWR	<b>1.25 +</b>	<b>0.040</b> x F(GHz) Maxi
Insertion loss		<b>0.25</b> √F(GHz) dB Maxi
RF leakage	<b>- (</b>	<b>57</b> - F(GHz)) dB Maxi
Voltage rating		<b>335</b> Veff Maxi
Dielectric withstanding voltage		<b>1000</b> Veff mini
Insulation resistance		<b>1000</b> MΩ mini

**CABLE ASSEMBLY**

Stripping	a	b	c	d	e	f
mm	2.20	5.40	15.5	0.00	13.3	0.00

Assembly instruction :

Recommended cable(s)  
 KX 22A  
 RG 188  
 RG 179  
 RG 187  
 RG 316

Cable retention

- pull off	<b>110</b> N mini
- torque	<b>3.2</b> N.cm

**MECHANICAL CHARACTERISTICS**

Center contact retention		
Axial force – Mating end	<b>10</b> N mini	
Axial force – Opposite end	<b>10</b> N mini	
Torque	<b>NA</b> N.cm mini	

**TOOLING**

Part Number	Description	Hexagon
.	.	.
<b>R282.211.000</b>	<b>CRIMPING TOOL</b>	<b>3.25</b>
<b>R282.235.003</b>	<b>CRIMPING DIES</b>	<b>3.25</b>
<b>R282.293.000</b>	<b>CRIMPING TOOL</b>	<b>-</b>

Recommended torque		
Mating	<b>NA</b> N.cm	
Panel nut	<b>NA</b> N.cm	
Clamp nut	<b>70</b> N.cm	
A/F clamp nut	<b>5.000</b> mm	

**OTHERS CHARACTERISTICS**

Mating life	<b>500</b> Cycles mini
Weight	<b>3.300</b> g

**ENVIRONMENTAL**

Operating temperature	<b>-65/+165</b> °C
Hermetic seal	<b>NA</b> Atm.cm3/s
Panel leakage	<b>NA</b>

Issue : **0151 C**

In the effort to improve our products, we reserve the right to make changes judged to be necessary.



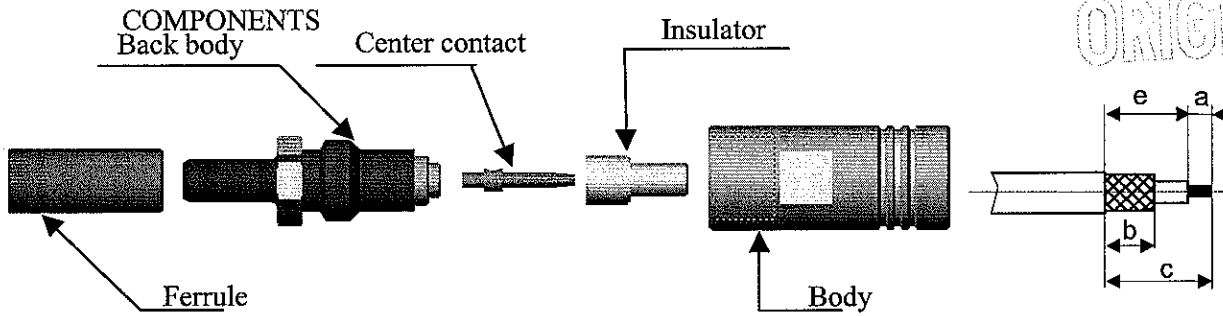
STRAIGHT PLUG CRIMP TYPE

CABLE 2.6/50+75 S

R114.075.000

Series : SMB

ORIGINAL



**1**

Slide the heatshrink onto the cable (in option).  
Slide the ferrule onto the cable.  
If solder : the hole in front.  
If crimping : the hole in back.  
Strip the cable.

**4**

Mount the center contact inner conductor.  
Solder or crimping the contact with crimping tool ( see connector TDS ).  
Mount the front insulator.

**2**

Fan the braid.  
Mount the cable in the back body.

**E**

Mount the sub-assembly into the connector and screw the body  
Recommended couplina toraue : 170N cm.

**3**

Slide ferrule over the braid.  
Crimp the ferrule with crimping tool ( see connecteur TDS ).

**€**

Place and shrink the heatshrink between 135° to 250° at back to body (option).

Issue : 0151 C

In the effort to improve our products, we reserve the right to make changes judged to be necessary.

