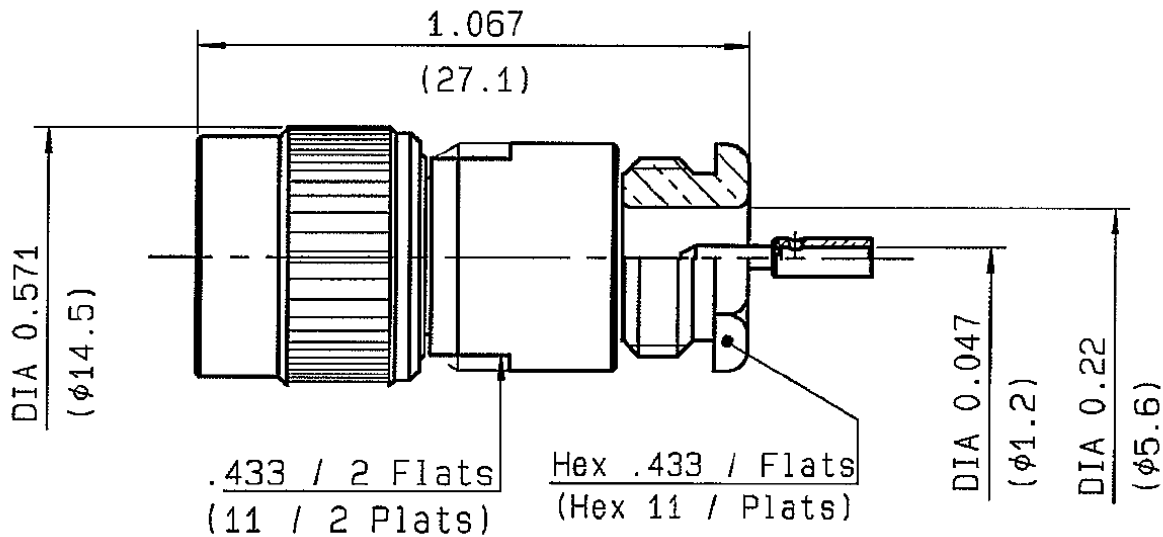


**STRAIGHT PLUG CLAMP TYPE  
CABLE 5/50 S+D**

**R143.008.000**  
SERIES TNC



|                                 |  |
|---------------------------------|--|
| NOMINAL IMPEDANCE               | <b>50</b> Ω  |
| FREQUENCY RANGE                 | <b>0-11</b> GHz  |
| TEMPERATURE RATING              | <b>-65/+165</b> °C                                     |
| V.S.W.R                         | <b>*1.30</b> + 0 x F(GHz)Maxi                          |
| RF INSERTION LOSS               | <b>0.06</b> √F(GHz) dB Maxi                            |
| VOLTAGE RATING                  | <b>500</b> Veff Maxi                                   |
| DIELECTRIC WITHSTANDING VOLTAGE | <b>1500</b> Veff Mini                                  |
| INSULATION RESISTANCE           | <b>5000</b> MΩMini                                     |
| HERMETIC SEAL                   | <b>NA</b> Atm.cm <sup>3</sup> /s                       |
| LEAKAGE (pressurized only)      | <b>NA</b>  |
| MECHANICAL DURABILITY           | <b>500</b> Cycles                                      |
| WEIGHT                          | <b>17.60</b> gr  |
| SPECIFICATION                   | <b>405 1916</b><br><b>439 305</b><br><b>DMS 795250</b> |

|                                   |                     |
|-----------------------------------|---------------------|
| CABLES : KX 15                    | RG 142 FTX          |
| KX 23                             | RG 223              |
| RG 141                            | RG 400              |
| RG 142                            | RG 58               |
| OTHERS CHARACTERISTICS            |                     |
| *1.30 for frequency band: DC-6GHz |                     |
| 1.60 for frequency band: 7-11GHz  |                     |
| CABLE RETENTION                   | <b>180</b> N Mini   |
| CENTER CONTACT RETENTION          |                     |
| Axial force - mating end          | <b>NA</b> N Mini    |
| Axial force - opposite end        | <b>NA</b> N Mini    |
| Torque                            | <b>NA</b> cm.N Mini |
| RECOMMENDED TORQUES               |                     |
| Mating                            | <b>NA</b> cm.N      |
| Panel nut                         | <b>NA</b> cm.N      |
| Clamp nut                         | <b>450</b> cm.N     |

| CONNECTOR PARTS | MATERIALS       | FINISH                 | (all values are given in micrometers) |
|-----------------|-----------------|------------------------|---------------------------------------|
| BODY            | BRASS           | NICKEL 2               |                                       |
| OUTER CONTACT   |                 |                        |                                       |
| CENTER CONTACT  | BRASS           | GOLD 0.5 OVER NICKEL 2 |                                       |
| INSULATOR       | PTFE            | -                      |                                       |
| GASKET          | SILICONE RUBBER | -                      |                                       |
| OTHERS PIECES   | BRASS           | NICKEL 2               |                                       |

ISSUE  
**1338B00**

CREATION DATE  
**19/11/1990**

FILE PART-NUMBER



**RADIALL®**

LELEU

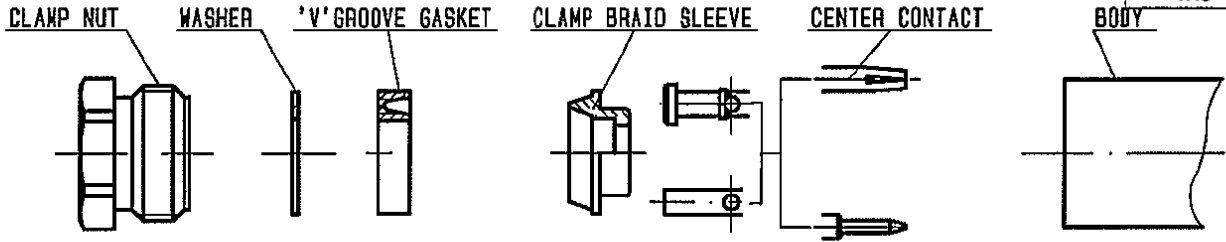
The information given here is subject to change without notice.  
Design changes may be in order to improve the product.

*Connect to the future*



**R143.008.000**

ISSUE 1338B00 SERIES TNC



①

Strip the cable .

-  
-  
-  
-

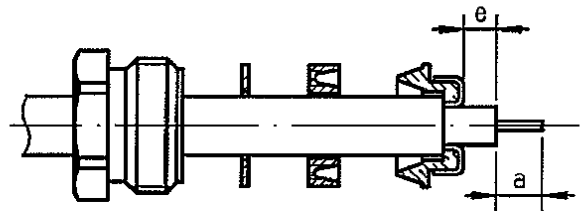


| Stripping | a     | b     | c | d | e     |
|-----------|-------|-------|---|---|-------|
| inch      | 0.098 | 0.197 | 0 | 0 | 0.059 |
| mm        | 2.5   | 5     |   |   | 1.5   |

②

Slide clamp nut, washer and 'V'groove gasket onto cable .  
Slide clamp braid sleeve over braid .  
Fold braid back and trim off extra braid.  
Trim dielectric back as shown .

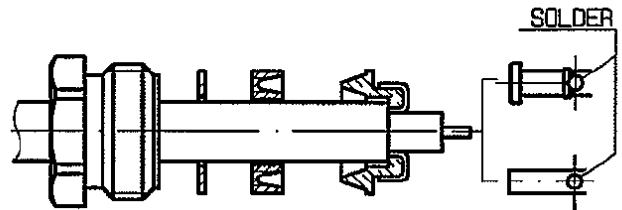
-



③

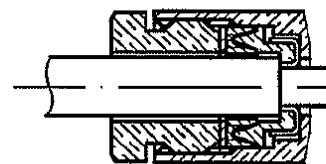
Solder the center contact onto cable center conductor.

-  
-  
-  
-  
-



④

Screw sub-assembly into the connector body .  
( recommended coupling torque 450N.cm )  
- 39.82in.lb  
-



Hex. : 11 mm /flats  
Hex. : 0.433inch /flats

LELEU