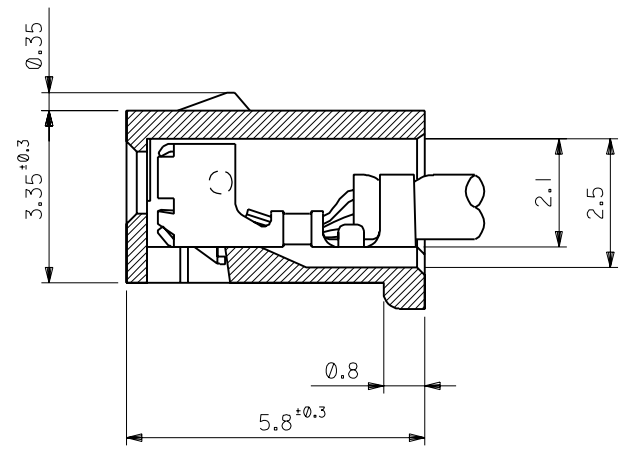
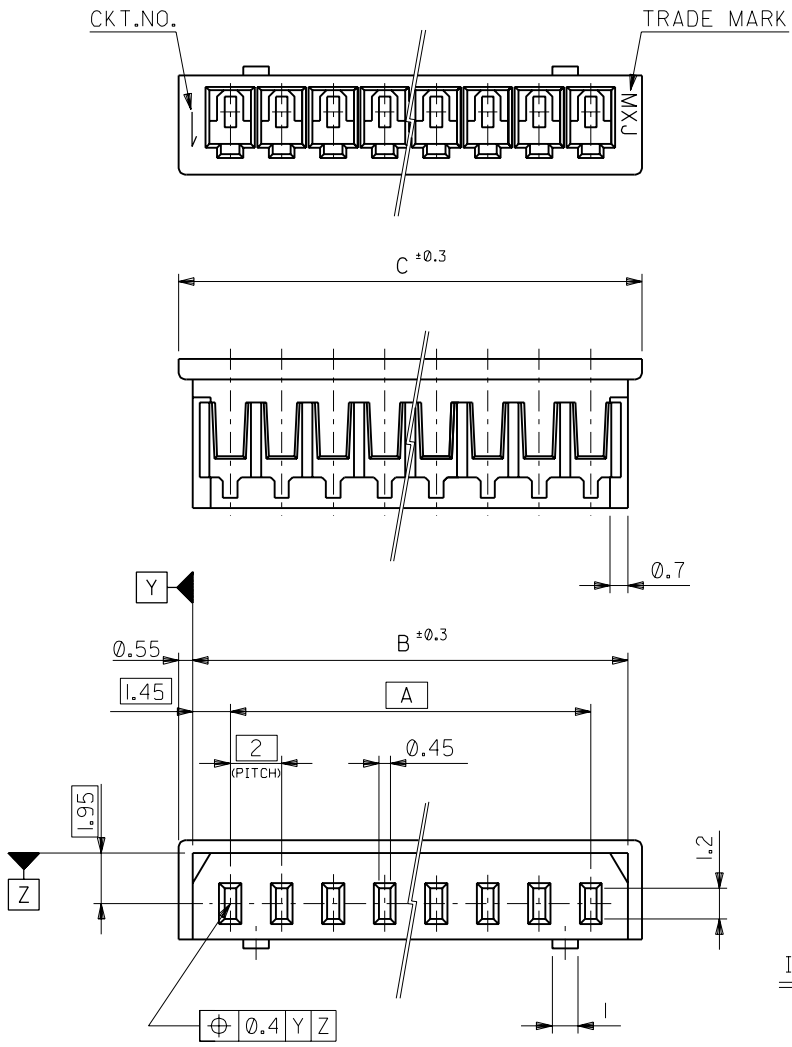
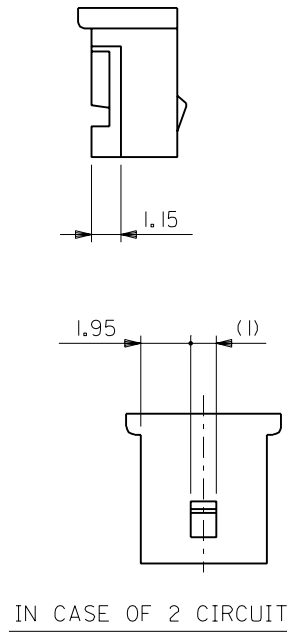


:MM DIMENSIONS IN METRIC DO NOT SCALE DRAWING

DWG. NO. SD-51004-\*\*\*0\*\*



TERMINAL ASSEMBLY DRAWING (10:1)



32	30.9	28	51004-150*	15
30	28.9	26	▲ -140*	14
28	26.9	24	-130*	13
26	24.9	22	-120*	12
24	22.9	20	-110*	11
22	20.9	18	-100*	10
20	18.9	16	-090*	9
18	16.9	14	-080*	8
16	14.9	12	-070*	7
14	12.9	10	-060*	6
12	10.9	8	-050*	5
10	8.9	6	-040*	4
8	6.9	4	▼ -030*	3
6	4.9	2	51004-020*	2
C	B	A	ENG. NO.	NO. OF CRTS.

NOTES

1. APPLICABLE TERMINAL : 50011-8\*00
2. MATE WITH : 53014-\*\*\*10 , 53015-\*\*\*10
3. \* MARK INDICATES DYED COLOR :  
"1" BLACK, "2" RED, "3" YELLOW, "4" BLUE

角度 ANGLE		±3°			材料 MATERIAL		POLYESTER UL94V-0	
30 以上 OVER		+0.3			仕上げ FINISH		— # —	
10 以上 OVER 30 未満 UNDER		+0.25			適用電線範囲 WIRE RANGE		— # —	
10 未満 UNDER		+0.2			被覆外径 INS. RANGE		— # —	
一般公差 GENERAL TOLERANCES		0	RELEASED (JC60411)	M.S. H.H.	95/12/20	DRAWN BY '95/12/20 M.SHIMIZU	CHK'D BY '95/12/20 M.F.HIRAMOTO	
記号 LTR		変更内容 REVISION RECORD	DR. CHK.	日付 DATE	尺度 SCALE	5 : 1		

MOLEX-JAPAN CO.,LTD. 日本モレックス株式会社	
REVISE ONLY ON CAD SYSTEM	
TITLE 名称	
2.0 LOW PROFILE REC. HOUSING	
DWG. NO.	REV
SD-51004-***0**	0