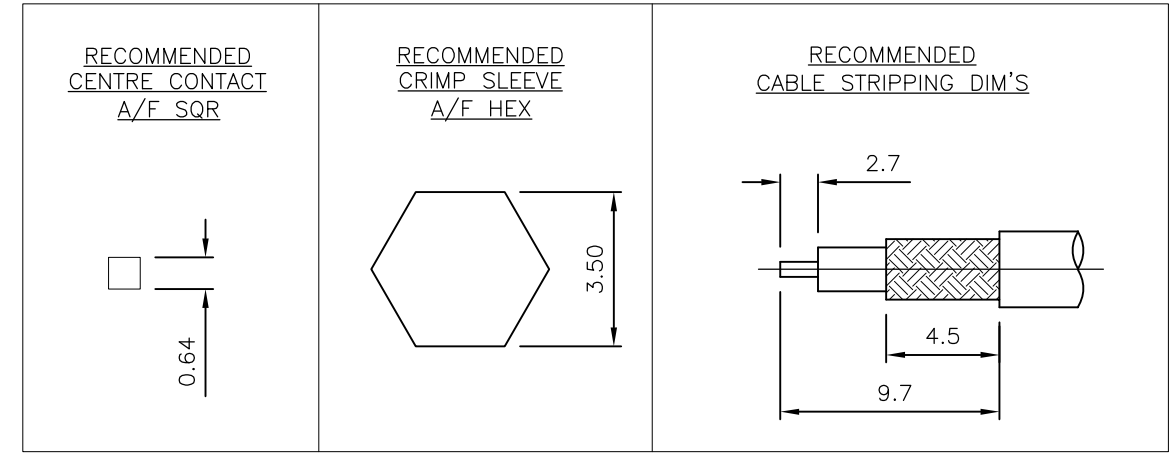
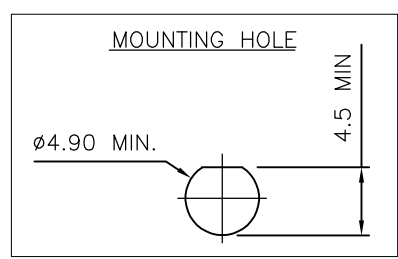
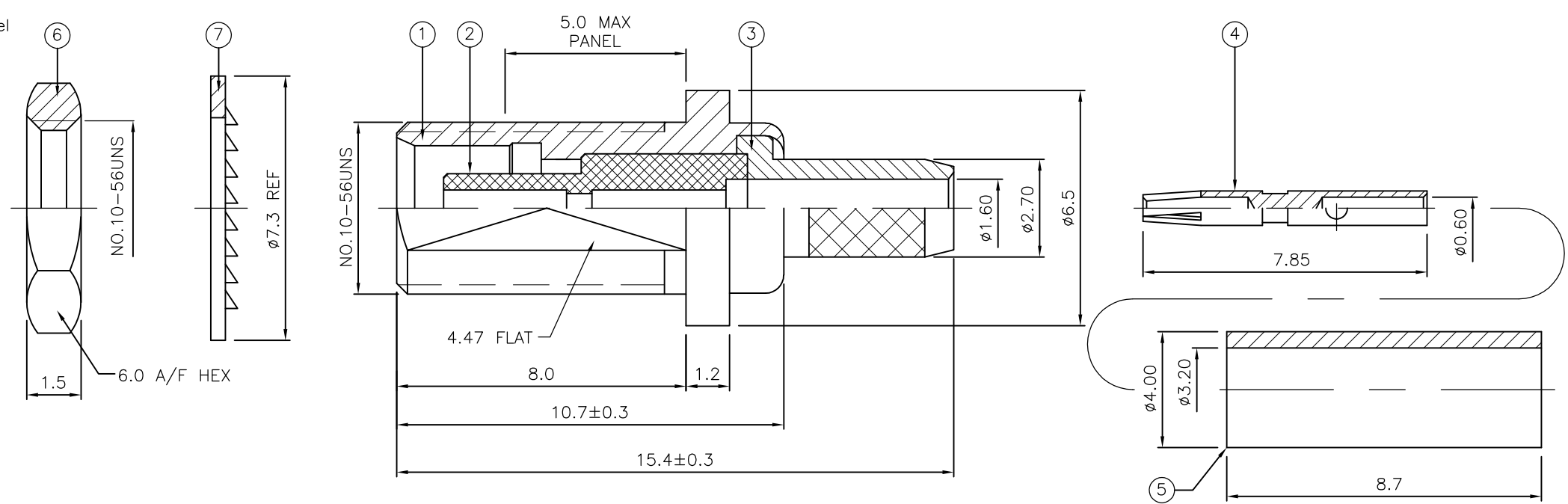


THIS DRAWING IS UNPUBLISHED. RELEASED FOR PUBLICATION FEB ,2006.  
 © COPYRIGHT 2006 By - ALL RIGHTS RESERVED.

REVISIONS				
P	LTR	DESCRIPTION	DATE	APVD
	D	PER ECO-14-000522	10MAY14	RZ MY

- NOTES:**
- ① PACK IN ACCORDANCE WITH AMP SPEC 107-3275
  - ② 100 TRAY PACK IN ACCORDANCE WITH AMP SPEC 107-3275
  - ③ Au PLATING
  - 4 HAND TOOL : 9-1478240-0
  - 5 DIE SET : 9-1478248-0
  - 6 ELECTRICAL CHARACTERISTICS  
 FREQUENCY RANGE: DC - 6 GHz  
 NOMINAL IMPEDANCE: 50 Ohm  
 INSULATION RESISTANCE: 1000 MOhm  
 WORKING VOLTAGE: 335 Volts RMS at Sea Level  
 DIELECTRIC WITHSTAND VOLTAGE: 1000 Volts RMS Max  
 CONTACT RESISTANCE:  
   CENTER CONTACT: 5.00 mOhm Max  
   OUTER CONTACT: 1.00 mOhm Max  
 VSWR @ 4GHz: 1.35:1 Max  
 INSERTION LOSS dB @ x 1.0 GHz: 0.10 Max
  - 7 MECHANICAL CHARACTERISTICS  
 COUPLING NUT RETENTION FORCE: N/A  
 CABLE RETENTION FORCE:  
   "RG174A/U, 188A/U, 316/U, URM95:" 85N Min  
   "RG178B/U, 196A/U:" 25N Min  
 MOUNT NUT RECOMMENDED TORQUE: 0.75 Nm  
 DURABILITY: 500 Cycles Min
  - 8 ENVIRONMENTAL CHARACTERISTICS  
 OPERATING TEMPERATURE: -55 to +155 DegC



QTY	QTY	MATERIAL	DESCRIPTION	ITEM
1	1	BRASS	LOCKWASHER	7
1	1	BRASS	HEXAGONAL NUT	6
1	1	BRASS	FERRULE	5
1	1	BERYLLIUM COPPER	CONTACT	4
1	1	BRASS	CHASSIS	3
1	1	PTFE	INSULATION	2
1	1	BRASS	BODY	1
6--0	1--0	MATERIAL	DESCRIPTION	ITEM
②	①			

QUANTITY PER ASSY      PARTS LIST

THIS DRAWING IS A CONTROLLED DOCUMENT.

DWN	J.SANDWELL	06FEB06	 TE Connectivity
CHK	S.PARLOW	06FEB06	
APVD	F.WHEELER-KING	06FEB06	
PRODUCT SPEC			
APPLICATION SPEC	411-3247		NAME MCX BULKHEAD JACK REAR MOUNT CRIMP 50 OHM RG174A/U, 188A/U, 316/U, URM95, KX3B, KX22A
MATERIAL	SEE TABLE	FINISH	-
WEIGHT	-	SIZE	A3
CUSTOMER DRAWING	SCALE	CAGE CODE	00779
	NTS	DRAWING NO	C-1337588
		RESTRICTED TO	-
		SHEET	1 OF 1
		REV	D