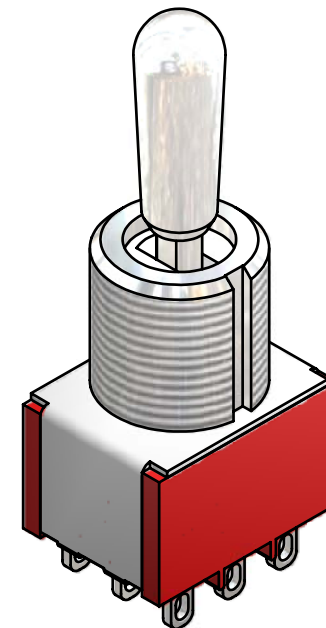
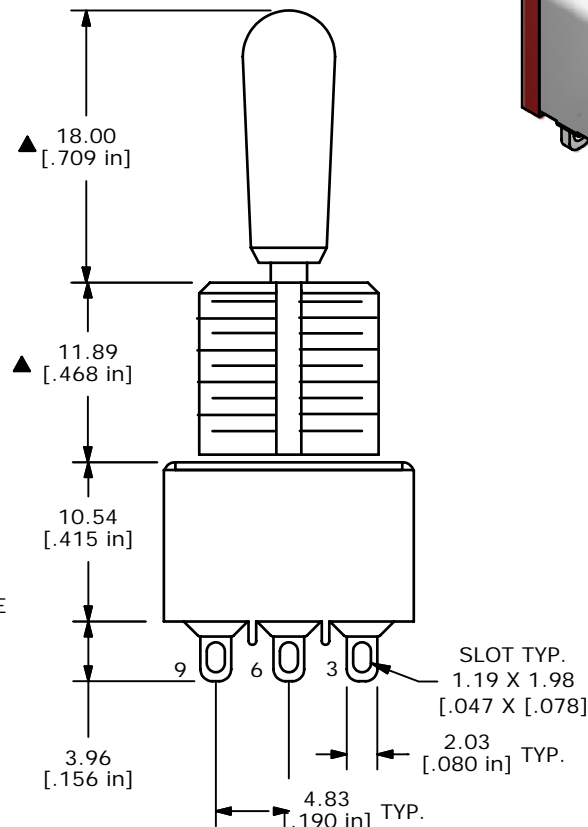
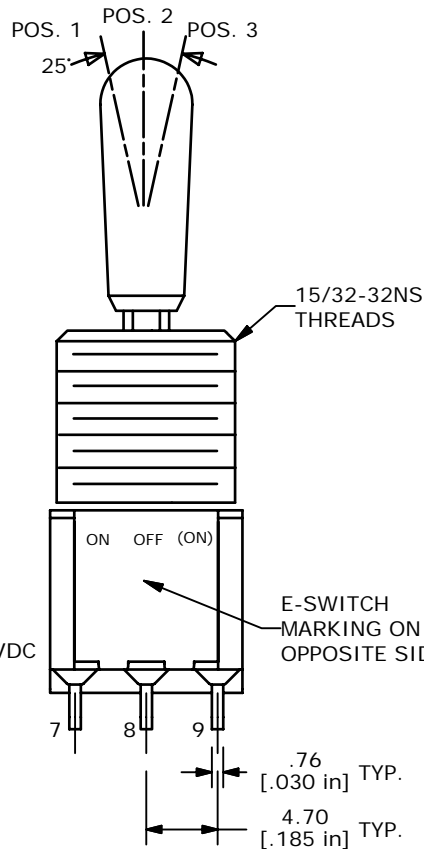
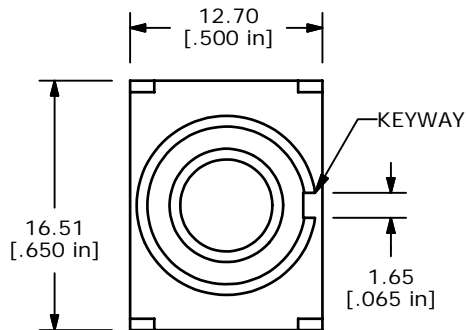
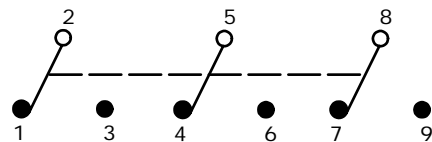


| SWITCH FUNCTION | | |
|-----------------|--------|---------------|
| POS. 1 | POS. 2 | POS. 3 |
| | | |
| ON | OFF | (ON) |
| 2-3, 5-6, 8-9 | OPEN | 2-1, 5-4, 8-7 |



ISOMETRIC



CIRCUI: 3PDT

- NOTE:
1. ALL DIMENSIONS IN MM [INCH]
 2. GENERAL TOLERANCE: X.X=±0.4
X.XX=±0.25
 3. TERMINAL NUMBERS FOR REFERENCE ONLY
 4. PLATING MATERIAL: SILVER
 - ▲ 5. RATING: 5 AMP W/RESISTIVE LOAD @ 120VAC OR 28VDC
2 AMPS 2/RESISTIVE LOAD @ 250VAC
 6. ELECTRIC LIFE: 40,000 make-and-break cycles at full load.
 7. INSULATION RESISTANCE: 1,000 Mega-ohm min.
 8. DIELECTRIC STRENGTH: 1,000 V RMS @sea level.
 9. OPERATING TEMP.: -30°C to 85°C
 10. ▲ DENOTES CRITICAL PARAMETER.
 11. 2002/95/EC (ROHS) COMPLIANT



| | | | | |
|-----|--------|-------------------------|---------|----|
| B | 17060 | FIXED TERMINALS, NOTES | 3/5/07 | TN |
| A | 13712 | RELEASED FOR PRODUCTION | 1/16/04 | TN |
| REV | PCR NO | DESCRIPTION | DATE | BY |

| | | | | |
|-----------------------|---------------|-------|-------------|-------|
| TITLE 1003P5T8B13M1QE | | | | |
| SCALE 2:1 | DATE 3/5/2007 | DR TN | DWG T134007 | REV B |

THE INFORMATION CONTAINED IN THIS DOCUMENT IS PROPRIETARY TO E-SWITCH AND IS NOT TO BE COPIED OR TRANSFERRED