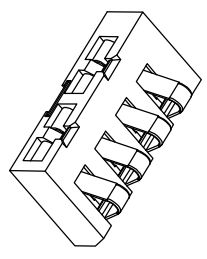
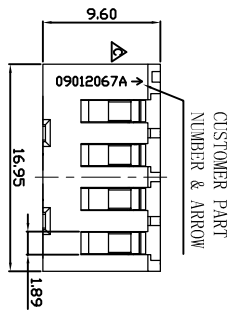
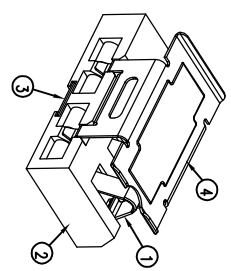
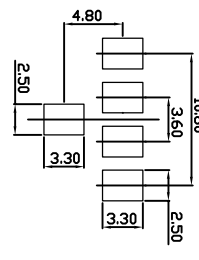
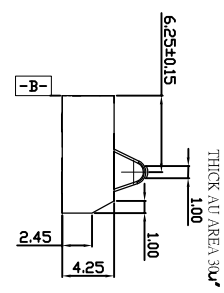
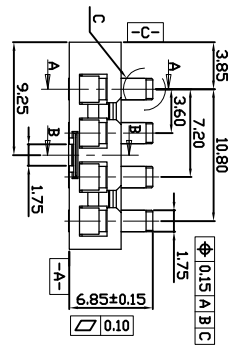
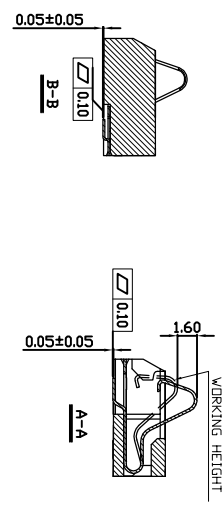




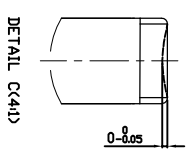
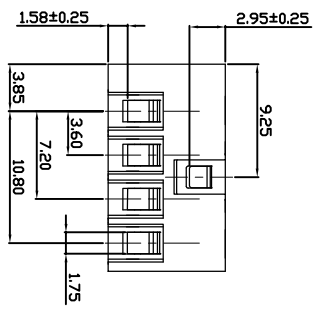
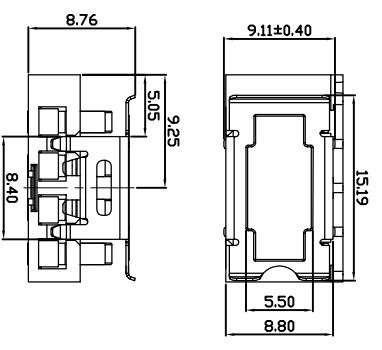
PART NUMBER
10119834-001LF



- NOTES:
- MATERIAL: LCP, UL94 V-0, COLOR: NATURAL.
HOUSING: TI-CU.
TERMINAL: TI-CU.
CAP: STAINLESS STEEL.
BOARDLOCK: STAINLESS STEEL.
 - FINISH: CONTACT AREA: GOLD PL.30u" THK.MIN.
ALL AREA: GOLD PL.1u" THK.MIN.
UNDER PLUNCKEL PL.50u" THK.MIN.
BOARDLOCK: ALL AREA: GOLD PL.1u" THK.MIN.
UNDER PLUNCKEL PL.50u" THK.MIN.
 - NORMAL FORCE: 0.85N Min. FOR 0.90mm COMPRESSION.
 - CP RETENTION FORCE: 9.8N Min.
 - THE PRODUCT SEPC. PLS. REFER TO SS-12-674
 - THE PACKAGING SPEC. PLS. REFER TO SS-14-1945
 - THIS CONNECTOR CAN WITHSTAND EXPOSURE TO 260°C PEAK TEMPERATURE FOR 10 SECONDS IN IR REFLOW OVEN.
 - THE SUFFIX "LF" MEANS FOR LEAD FREE PROCESS.



RECOMMENDED PCB LAYOUT
TOLERANCE: ±0.05



rev	ech no	dr	date
A	NEW	HT	2012-05-10
B	ELX-DG-012325	VL	2012-08-15
C	ELX-DG-012610	VL	2012-08-24
-	-	-	-
-	-	-	-
-	-	-	-

NO.	DESCRIPTION	QTY
4	CAP	1PCS
3	BOARD LOCK	1PCS
2	HOUSING	1PCS
1	TERMINAL	4PCS

TOLERANCES UNLESS OTHERWISE SPECIFIED

	linear	angular
0.1	± 0.25	± 1°
0.15	± 0.15	
0.10	± 0.10	

dr	HT ZHANG	2012-05-10
eng	HT ZHANG	2012-05-10
chr	HT ZHANG	2012-05-10
appr	PM ZHENG	2012-05-10

projection
product family
MOBILE

4PIN 3.60mm PITCH BATTERY MOBILE BATTERY CONNECTOR

size	A4	scale	1 : 1
rel level		rel level	

10119834
Customer Drawing
sheet 1/1

PROJ FILE - REV C - 2012-05-10

1 2 3 4