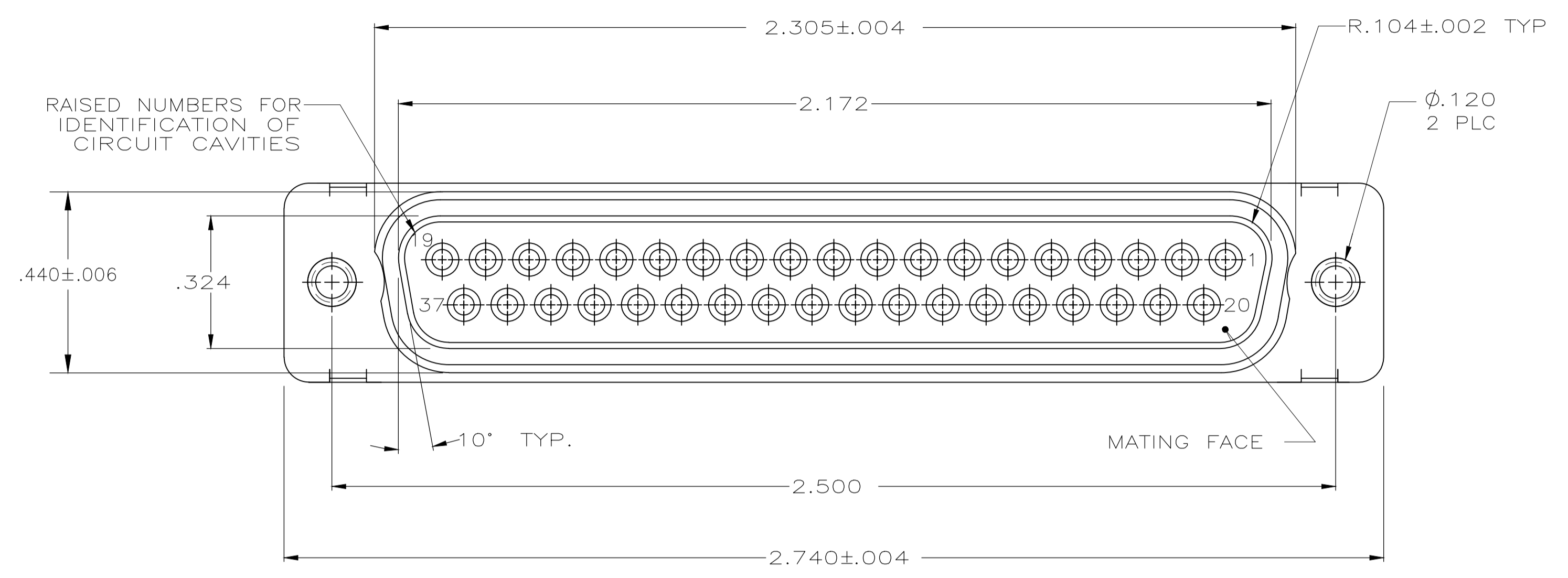
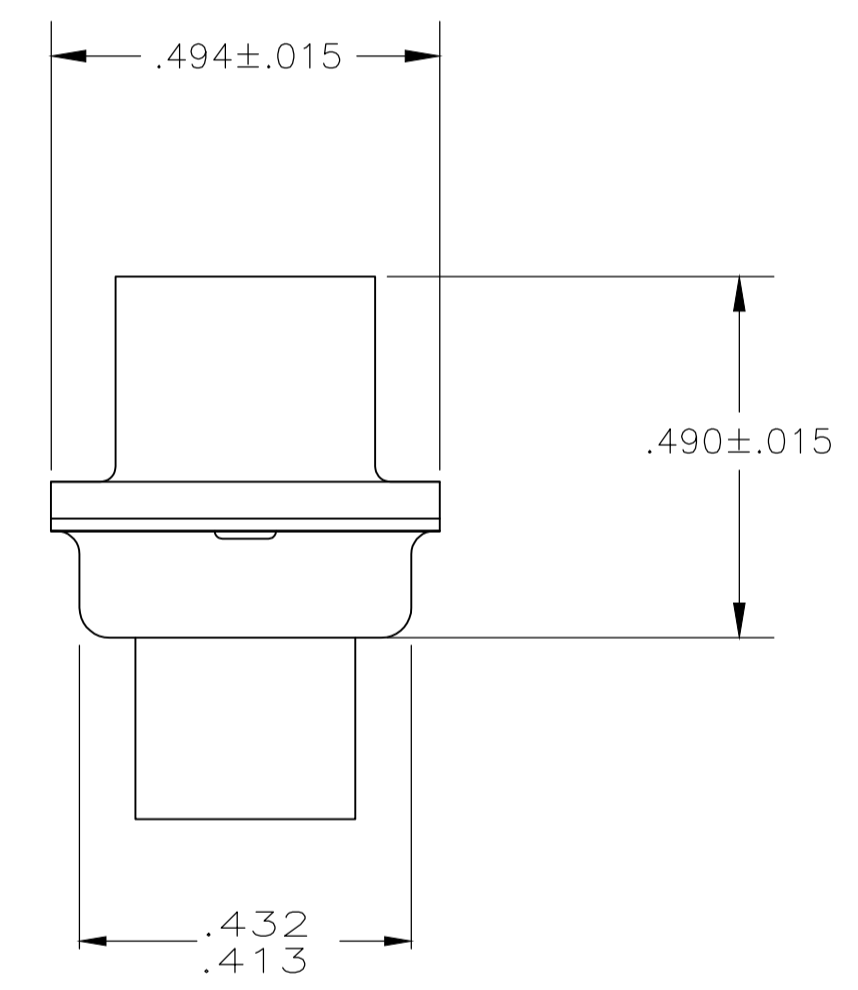
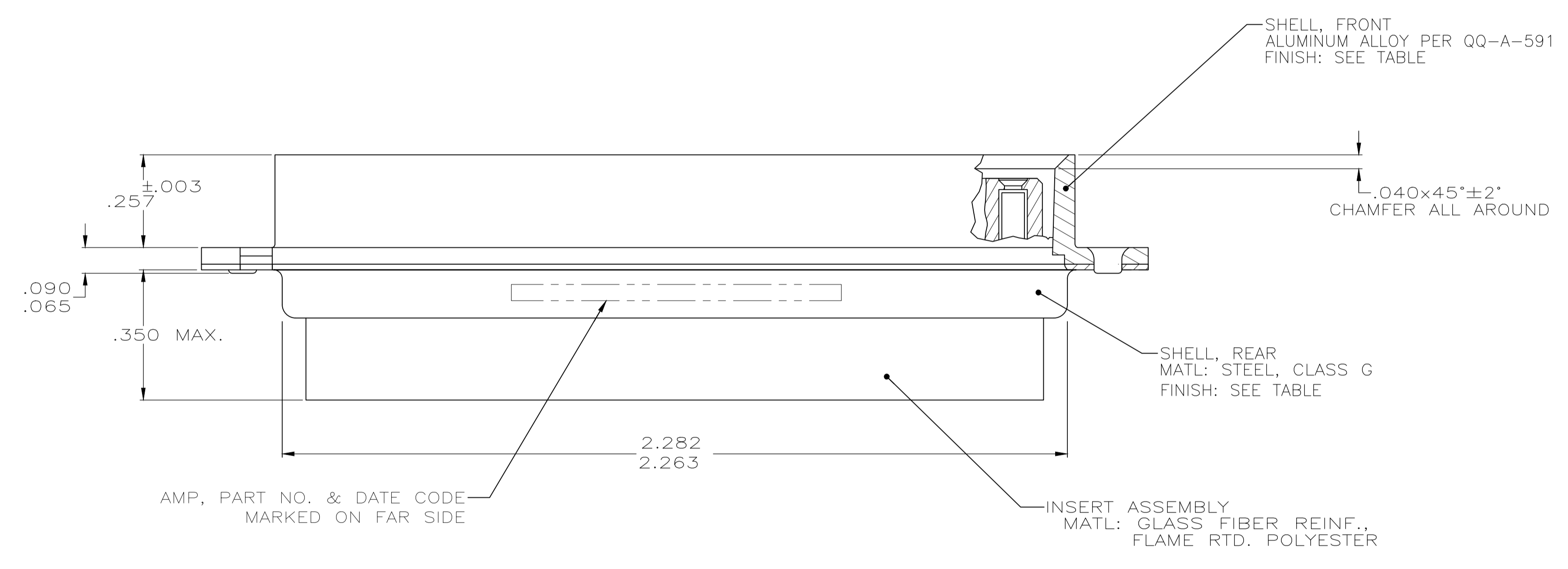


REVISIONS					
P	LTR	DESCRIPTION	DATE	DMN	APVD
C		REV PER ECO 20-010720	10-16-20	CT	DM



1. MAXIMUM WIRE INSULATION TO BE USED WITH THIS PLUG IS .068 DIA.
2. SST RETENTION CLIPS ARE INCLUDED IN INSERTS.
3. THIS PLUG WILL ACCEPT SIZE 20 SOCKET CONTACT M39029/63-368 OR AMP PART NUMBER 205090-1.
4. FINISH: CADMIUM PER QQ-P-416; YELLOW CHROMATE.
5. FINISH: ZINC PLATED PER ASTM-B-633 .000200 MIN THK WITH SUPPLEMENTARY CHROMATE (Cr3+).



5	5-1484948-1
4	1484948-1
REMARKS	PART NUMBER

THIS DRAWING IS A CONTROLLED DOCUMENT.		DWG: C.C.THOMAS 8-28-02	TE Connectivity	
DIMENSIONS: INCHES		CHK: D.MILLER 8-28-02	NAME: PLUG ASSEMBLY,AMPLIMITE	
TOLERANCES UNLESS OTHERWISE SPECIFIED:		APP'D: D.MILLER 8-28-02	37 POSN,SIZE 4, SERIES 109	
0 PLC ± -		PRODUCT SPEC	BLINDMATE, REVERSE GENDER	
1 PLC ± -		APPLICATION SPEC	SIZE: A1	CAGE CODE: 00779
2 PLC ± -		FINISH: SEE CALLOUTS	DRAWING NO: 1484948	RESTRICTED TO: -
3 PLC ± .005		WEIGHT: 0.000000	SCALE: 4:1	SHEET 1 OF 1
4 PLC ± -		CUSTOMER DRAWING	REV: C	
ANGLES ± -				