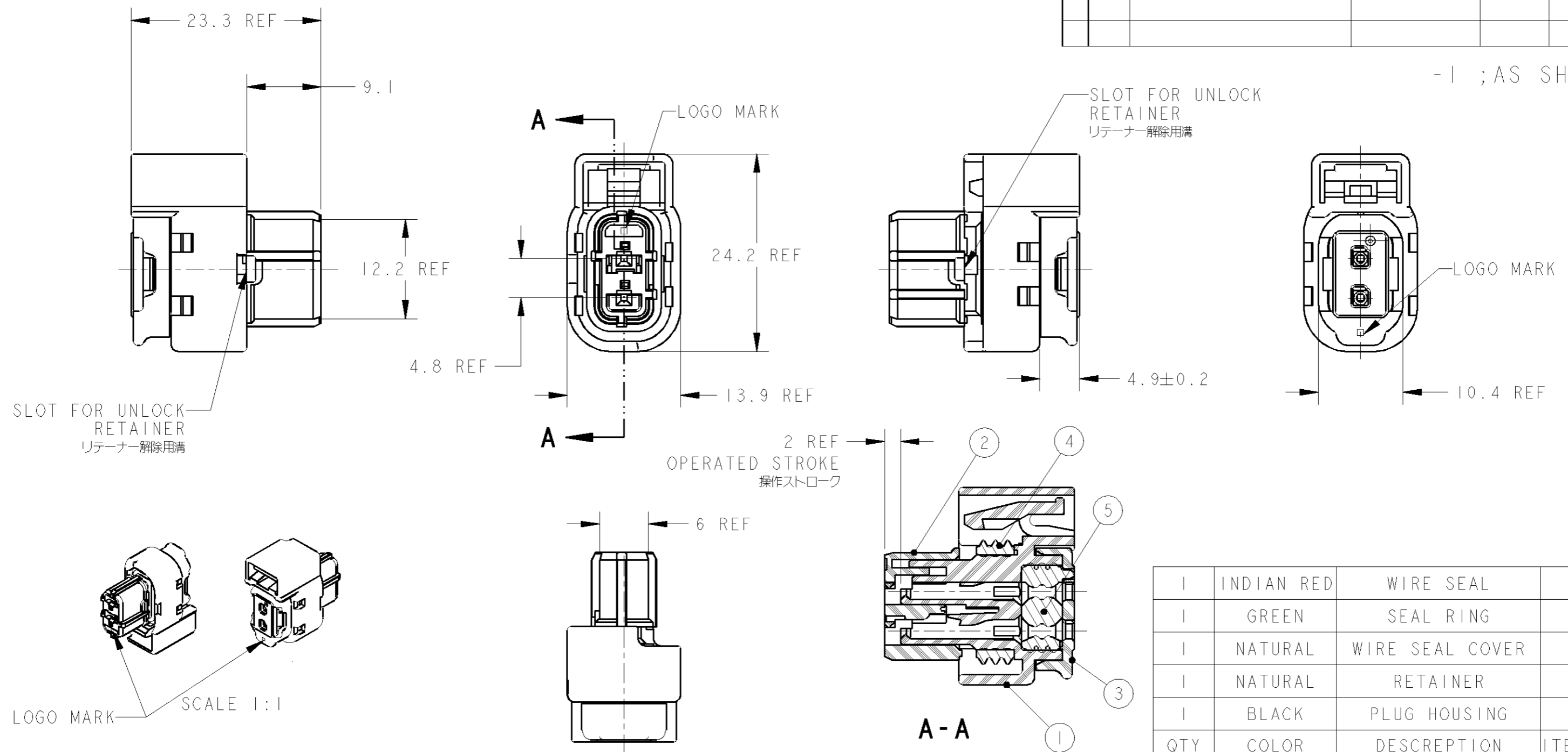


THIS DRAWING IS UNPUBLISHED. RELEASED FOR PUBLICATION 20  
 © COPYRIGHT 20 BY TYCO ELECTRONICS CORPORATION. ALL RIGHTS RESERVED.

LOC	DIST	REVISIONS						
		P	LTR	DESCRIPTION	ECN	DATE	DWN	APVD
J	-	0		RELEASED	FJA0-0126-03	14MAY03	ET	YF
		A		REVISED	ECR-10-007503	27APR10	TS	KB

- 1 ; AS SHOWN



QTY	COLOR	DESCRIPTION	ITEM NO.
個数	色	名称	アイテム番号
1	INDIAN RED	WIRE SEAL	5
1	GREEN	SEAL RING	4
1	NATURAL	WIRE SEAL COVER	3
1	NATURAL	RETAINER	2
1	BLACK	PLUG HOUSING	1

- PART NUMBER OF CAP ASSEMBLY TO BE MATED ; PN1612819-1
- APPLIED TERMINAL ; PN968221-1
- RETAINER SHOULD BE SENT TO THE PRE-ASSEMBLY POSITION WITHIN THE PLUG HOUSING WHEN SHIPPED TO THE CUSTOMER.
- INSTRUCTION SHEET ; 411-78077

- 嵌合相手キャップアッセンブリ型番 ; PN1612819-1
- 適用端子型番 ; PN968221-1
- プラグハウジングにリテーナを仮係止して出荷される。
- 取扱説明書 : 411-78077

THIS DRAWING IS A CONTROLLED DOCUMENT FOR TYCO ELECTRONICS CORPORATION. IT IS SUBJECT TO CHANGE AND THE CONTROLLING ENGINEERING ORGANIZATION SHOULD BE CONTACTED FOR THE LATEST REVISION.

DIMENSIONS: 単位: ㎜	TOLERANCES UNLESS OTHERWISE SPECIFIED: 一般公差 ±0.3
	0-PLC ±
	1-PLC ±0.1
	2-PLC ±0.05
	3-PLC ±0.025
	4-PLC ±
	ANGLES ±3°00'
MATERIAL 材料	FINISH 仕上
	COLOR 色
	SEE TABLE

DWN	E. TAKIZAWA	14MAY03
CHK	Y. NOGUCHI	14MAY03
APVD	Y. FUJIWALA	14MAY03
PRODUCT SPEC	108-5881	
APPLICATION SPEC	114-18021-3	
WEIGHT	3.7 g	
CUSTOMER DRAWING		

WIRE RANGE 包合電線断面積	0.5 SQ	INSULATION DIA 被覆外径	1.6~1.7 DIA
Tyco Electronics Corporation Kawasaki, Japan		NAME 名称 CLEAN BODY MQS CONNECTOR 2 POSITIONS PLUG ASSEMBLY	
SIZE	A3	CAGE CODE	00779
DRAWING NO	C=1612421	RESTRICTED TO	-
SCALE	2:1	SHEET	1 OF 1
REV	A		