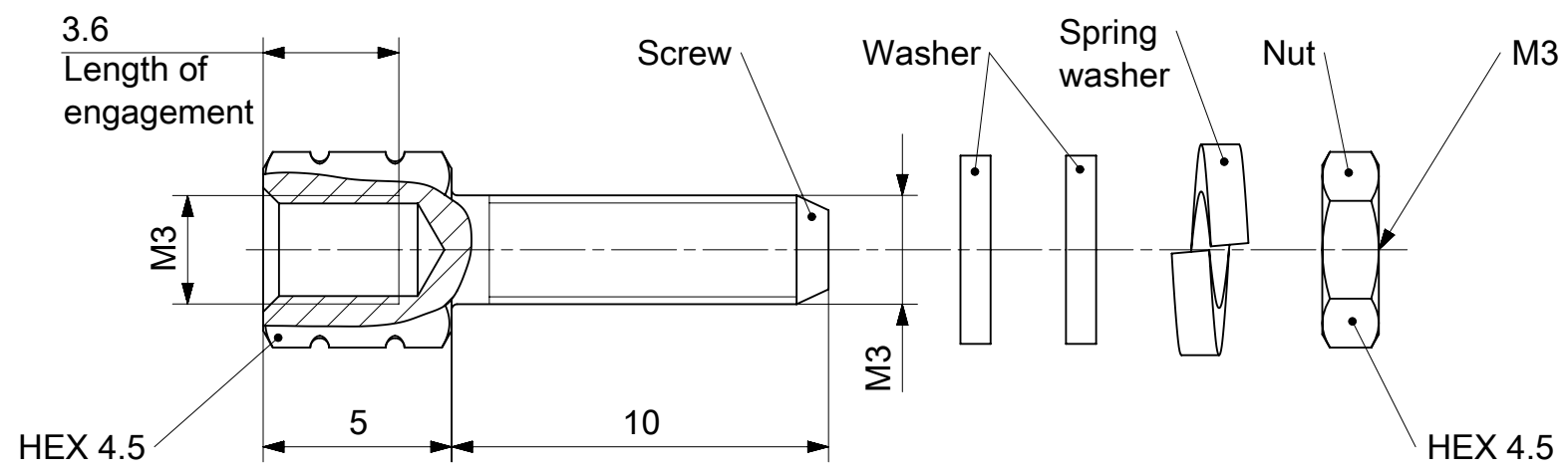
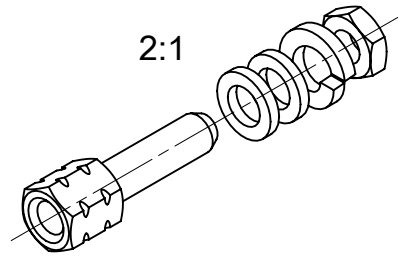


6 5 4 3 2 1



RoHS compliant  
by exemption

|                 |                  |          |            |             |              |                     |           |
|-----------------|------------------|----------|------------|-------------|--------------|---------------------|-----------|
| 1731121355      | F62M057S245+S    | Steel    | Tin plated | 1           | -            | -                   | -         |
| 1731120418      | F-GSCH1/5-K676SN |          |            | 1           | 2            | 1                   | 1         |
| Material Number | FCT Part Number  | Material | Surface    | Screw (pc.) | Washer (pc.) | Spring washer (pc.) | Nut (pc.) |

UNLESS OTHERWISE SPECIFIED DIMENSIONS FOR REFERENCE ONLY      REPLACEMENT FOR DOCUMENT NUMBER: F62M057\_D

|                    |   |         |  |                 |                |              |   |
|--------------------|---|---------|--|-----------------|----------------|--------------|---|
| FUNCTIONAL SYMBOLS | THIS DRAWING CONTAINS INFORMATION THAT IS PROPRIETARY TO MOLEX ELECTRONIC TECHNOLOGIES, LLC AND SHOULD NOT BE USED WITHOUT WRITTEN PERMISSION |         |  |                 |                |              |   |
|                    | DIMENSION UNITS   | SCALE   | CURRENT REV DESC:                                    |                 |                |              | <p>FCT F-GSCH1/5-K676 M3/M3<br/>FEMALE SCREW LOCK</p> <p>PRODUCT CUSTOMER DRAWING</p> |
| $\frac{F}{A} = 0$  | mm  | 5:1     | EC NO: 731759  |                 |                |              |   |
| $\frac{F}{E} = 0$  | GENERAL TOLERANCES (UNLESS SPECIFIED)   |         | DRWN: MSTEINBRUECK 2022/02/17                        |                 |                |              |   |
| $\frac{F}{P} = 0$  | ANGULAR TOL ± °   |         | CHK'D: MTEUBEL 2022/12/12                            |                 |                |              |   |
| DIVISIONAL SYMBOLS | 4 PLACES ±  |         | APPR: MTEUBEL 2022/12/12                             |                 |                |              |   |
|                    | 3 PLACES ±  |         | INITIAL REVISION:                                    |                 |                |              |   |
|                    | 2 PLACES ±  |         | DRWN: SKANDB 2021/08/30                              |                 |                |              |   |
|                    | 1 PLACE ±   |         | APPR: MTEUBEL 2021/11/22                             |                 |                |              |   |
|                    | 0 PLACES ±  |         | DRAFT WHERE APPLICABLE MUST REMAIN WITHIN DIMENSIONS |                 |                |              |   |
|                    | FIRST ANGLE PROJECTION  | DRAWING | SERIES   | MATERIAL NUMBER | CUSTOMER       | SHEET NUMBER |   |
|                    |   | A4-SIZE | 173112   | SEE TABLE       | GENERAL MARKET | 1 OF 1       |   |
|                    |   |         |  | DOCUMENT NUMBER | DOC TYPE       | DOC PART     | REVISION  |
|                    |   |         |  | 1731120418      | PSD            | 000          | A1  |

Generally twice a material number respectively FCT part number is needed per connector.

Packaging specification: 1731120003-PK

|                 |    |              |            |          |
|-----------------|----|--------------|------------|----------|
| DOCUMENT STATUS | P1 | RELEASE DATE | 2022/12/12 | 10:20:29 |
|-----------------|----|--------------|------------|----------|

6 5 4 3 2 1

FORMAT: master-ib-prod-A4  
REVISION: J  
DATE: 2020/01/14