

Sleeve housing - VC-K-T2-Z-M25 - 1852948

Please be informed that the data shown in this PDF Document is generated from our Online Catalog. Please find the complete data in the user's documentation. Our General Terms of Use for Downloads are valid (<http://phoenixcontact.com/download>)




Sleeve housing, plastic, with metric cable outlet, locking screws with cylinder head, type: VC2, cable screw connection: M25

Your advantages

- Seals with two cable entries are available
- Angled cable outlet so the cable can be routed as desired, from the side and straight

Key Commercial Data

Packing unit	5 pc
GTIN	 4 017918 970826
GTIN	4017918970826

Technical data

Dimensions

Height	65 mm
--------	-------

Ambient conditions

Degree of protection	IP65
Ambient temperature (operation)	-40 °C ... 80 °C

General

Note	When using fiber optics, the bending radii of the cable manufacturers must be observed.
Type	VC2
Degree of protection	IP65
Flammability rating according to UL 94	V0
Locking type	Screw locking, cylinder head
Fixing screws	M4
Tightening torque, mounting screw	1.5 Nm ±0.3 Nm
Type of the screw connection	M25

Sleeve housing - VC-K-T2-Z-M25 - 1852948

Technical data

General

Cable outlet	Angled
Housing material	Polyamide
Seal material	EPDM
Ambient temperature (operation)	-40 °C ... 80 °C

Standards and Regulations

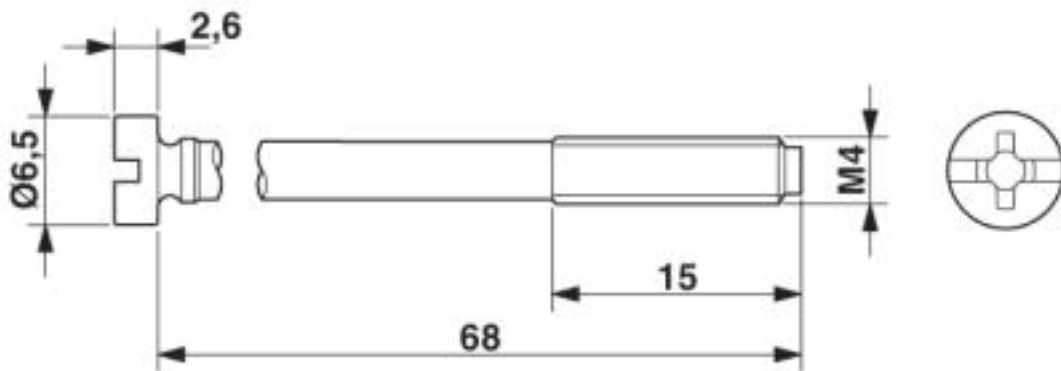
Flammability rating according to UL 94	V0
--	----

Environmental Product Compliance

China RoHS	Environmentally friendly use period: unlimited = EFUP-e
	No hazardous substances above threshold values

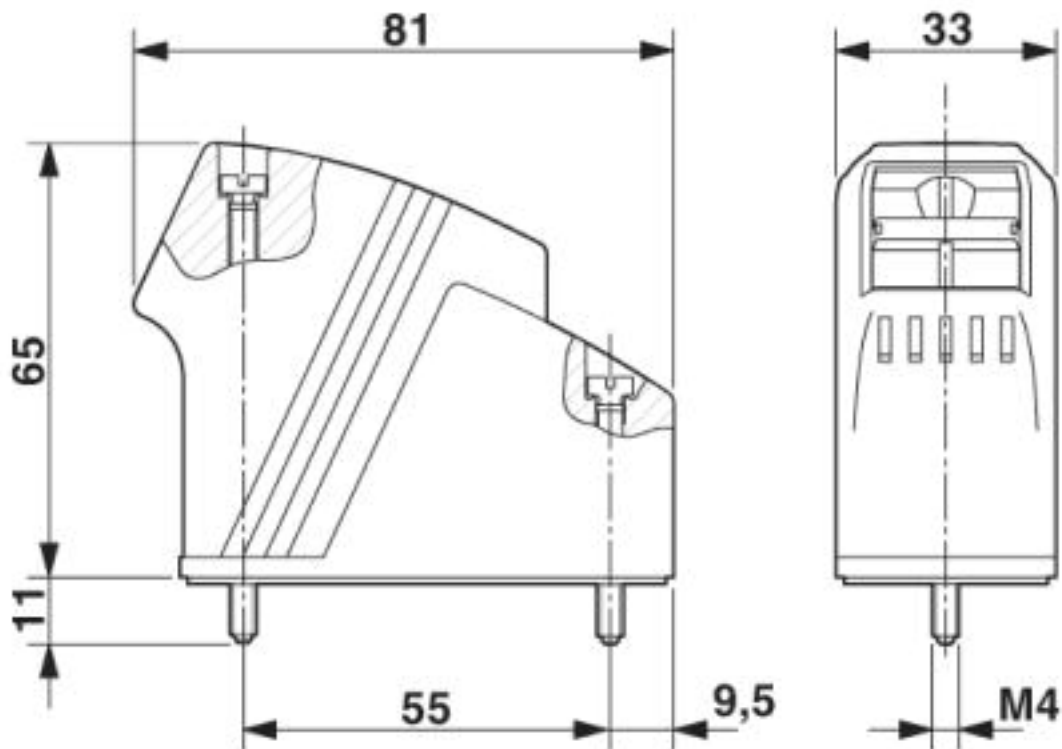
Drawings

Dimensional drawing



Sleeve housing - VC-K-T2-Z-M25 - 1852948

Dimensional drawing



Dimensional drawing

