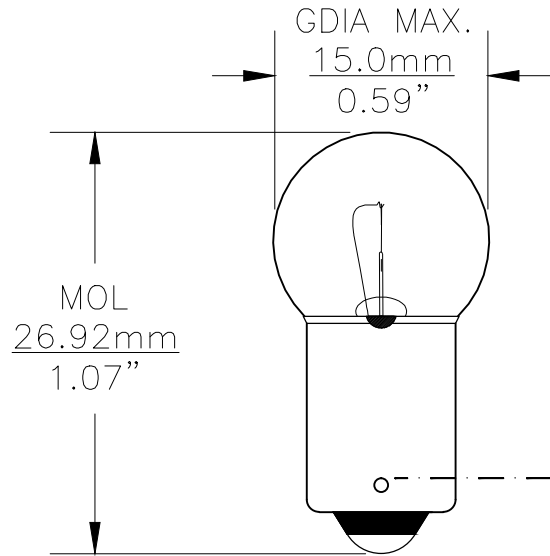


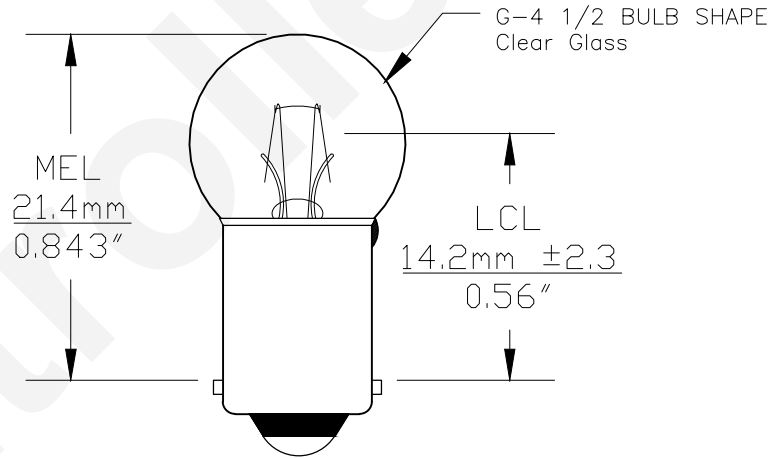


PART NO.	BASE TYPE	DESIGN VOLTS	DESIGN AMPS	MSCD	FILAMENT TYPE	AVERAGE LIFE HOURS
1895	MINIATURE BAYONET (BA9s)	14.0V	0.27±20%	2.0±20%	C-2F	2000

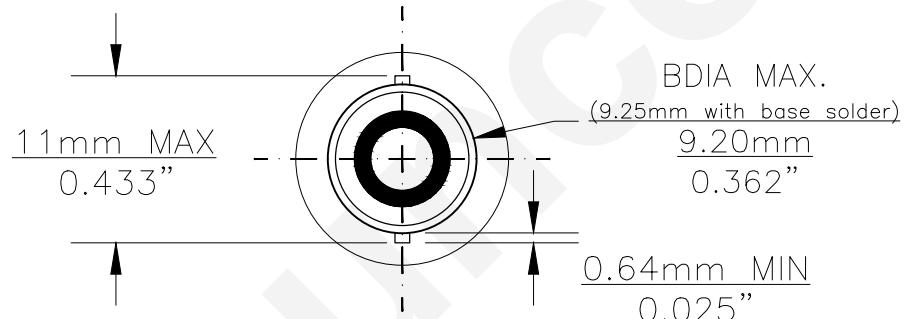
REVISIONS			
REV #	DESCRIPTION	DATE	APPROVED
1	REDRAWN	07/12/2006	D.C.



0° VIEW



90° VIEW



BASE BOTTOM VIEW



Note: Made according to SAE specifications

UNLESS OTHERWISE SPECIFIED: DIMENSIONS ARE IN INCHES TOLERANCES		CEC INDUSTRIES LTD	
DECIMALS	ANGULAR	599 BOND STREET LINCOLNSHIRE, IL 60069	
.XX ± .05	± 0.5°		
.XXX ± .010			
FRACTIONAL	± 1/64		
DRAWN	DATE	TITLE	
ELIZABETH SONANES	02/01/2001	LIGHT BULB NO. 1895	
CHECKED	SIZE	FSCM NO.	DWG NO.
	A		1895
DESIGN	SCALE	PLOT SCALE	SHEET 1 OF 1
MATERIAL	FILE	DRAWING NOT TO SCALE	
	1895.pdf		