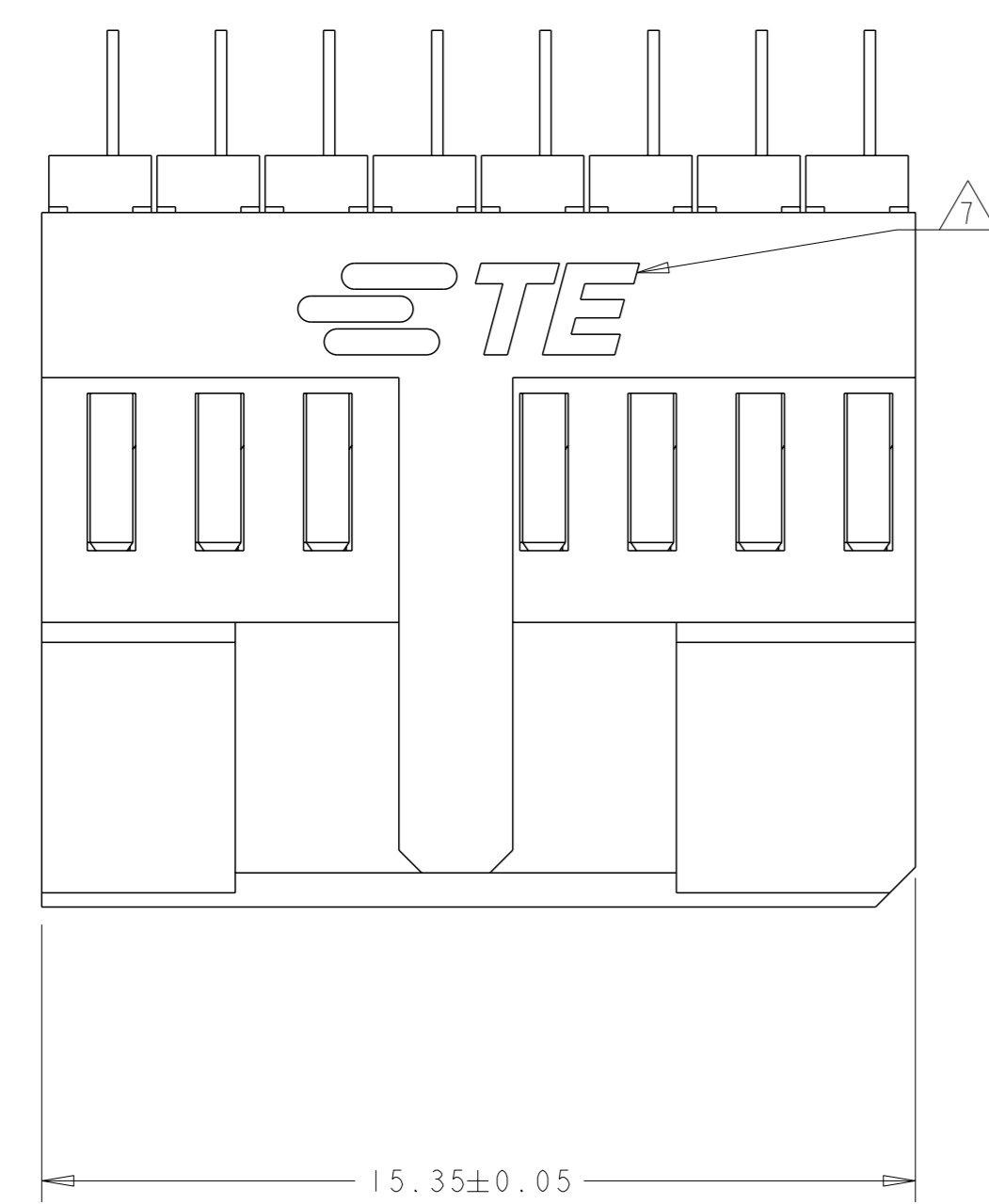
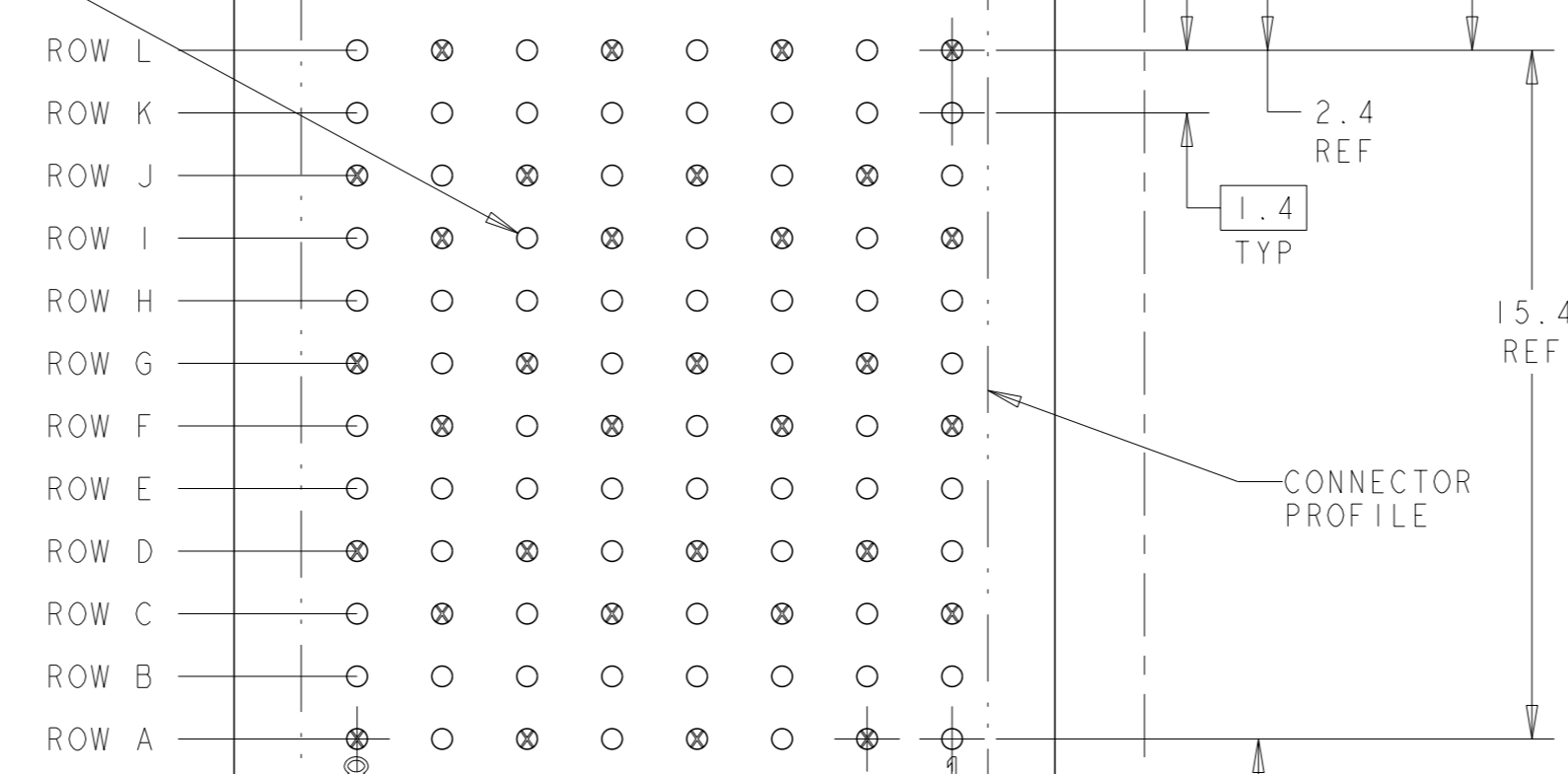


LOC		DIST		REVISIONS			
AD	00	REV	DATE	BY	CHK	APPV	
C		REVISD PER ECO-13-002771	19MAR2013	KH	RP		
D		REVISD PER ECO-19-012987	29AUG2019	AP	SY		



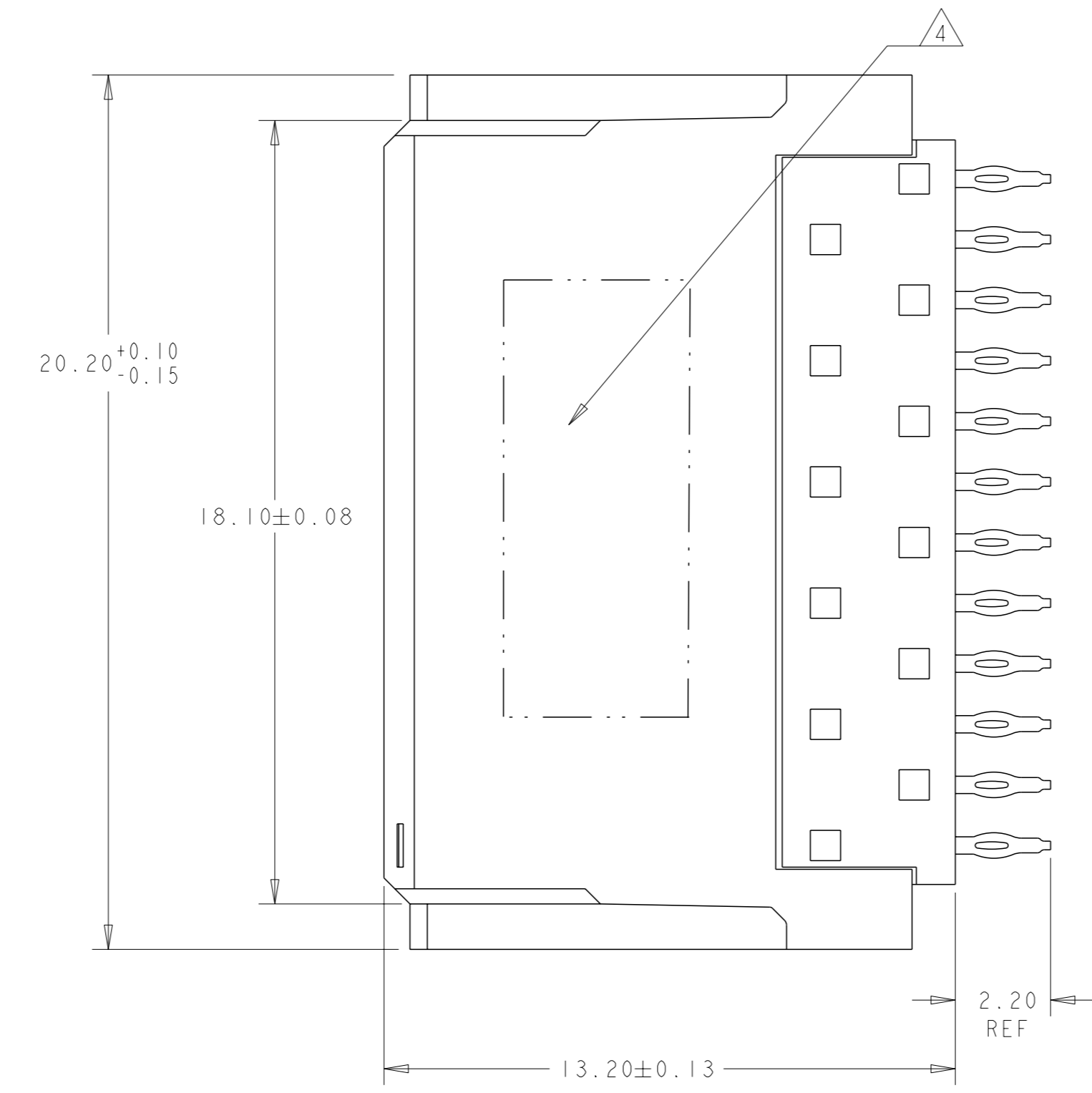
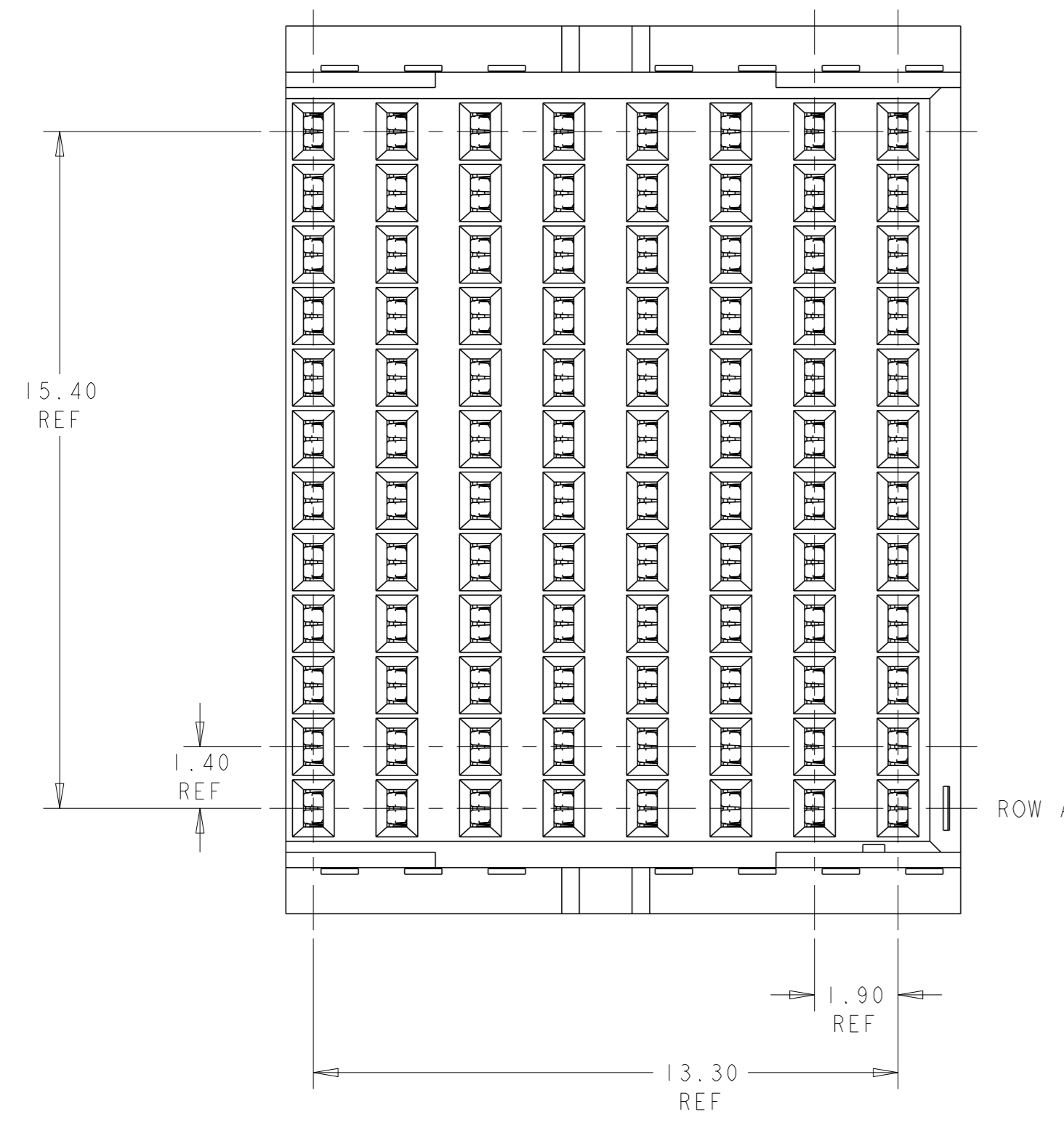
⊕ ∅ 0.05 X | Y
FINISHED HOLE SIZE
AND PLATED THRU HOLES



○ = SIGNAL
⊗ = GROUND

RECOMMENDED PC BOARD LAYOUT
COMPONENT SIDE SHOWN
SCALE 6:1

- △ MATERIAL:
CONTACT - PHOS BRONZE
HOUSING & CHICKLET - LCP, UL 94V-0, COLOR - BLACK
ORGANIZER - STAINLESS STEEL
- △ FINISH:
CONTACT AREA FINISH CONFORMS TO THE REQUIREMENTS
OF TE PRODUCT SPECIFICATION 108-2303; BASED ON
TELCORDIA GR-1217-CORE FOR SYSTEM QUALITY
LEVEL III, APPLICATIONS IN CONTROLLED
ENVIRONMENTS (CENTRAL OFFICE).
COMPLIANT PIN AREA - 0.5 μm MIN MATTE TIN OVER 1.27 μm MIN NICKEL.
- △ DATUMS AND BASIC DIMENSIONS ESTABLISHED BY CUSTOMER.
- △ CONNECTOR MARKED WITH PART NUMBER AND DATE CODE IN APPROXIMATE AREA SHOWN.
- △ REFERENCE APPLICATION SPEC FOR RECOMMENDED
PLATING THRU HOLE DIAMETER AND PLATING THICKNESSES.
- 6. CONTACT AREA LUBRICATED WITH BELLCORE APPROVED LUBRICANT. TECHNICAL
REFERENCE GR-1217-CORE, ISSUE 1, NOVEMBER 1995.
- △ SHOWN LOGO OR OTHER TE OWNED LOGOS IN APPROXIMATE AREA



1934593-1
PART NUMBER

THIS DRAWING IS A CONTROLLED DOCUMENT.		OWN J. SHOBER 28JAN2008	NAME VERTICAL RECEPTACLE ASSEMBLY, 4 PAIR, 8 COLUMN, 16mm STACK HEIGHT
DIMENSIONS:		CHK C. RITIER 28JAN2008	PRODUCT SPEC 108-2303
TOLERANCES UNLESS OTHERWISE SPECIFIED:		APVD C. RITIER 28JAN2008	APPLICATION SPEC 114-13202
mm	0 PLC ± 1 PLC ± 2 PLC ± 3 PLC ± 4 PLC ±	SIZE A1	RESTRICTED TO
MATERIAL		WEIGHT	SCALE 8:1 SHEET 1 OF 1 REV D
CUSTOMER DRAWING		CAGE CODE DRAWING NO 100779	