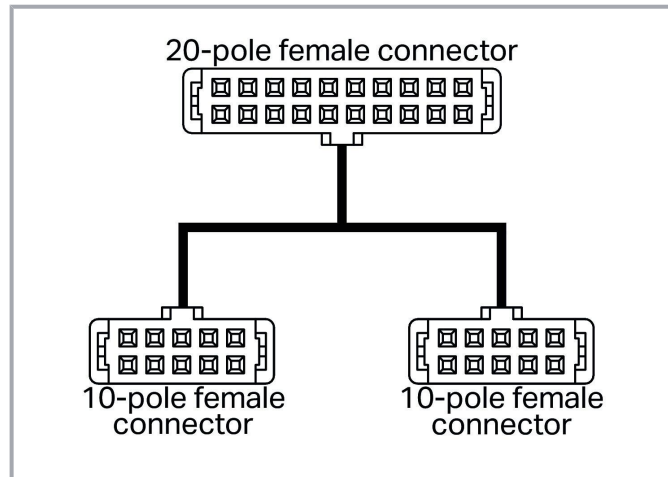
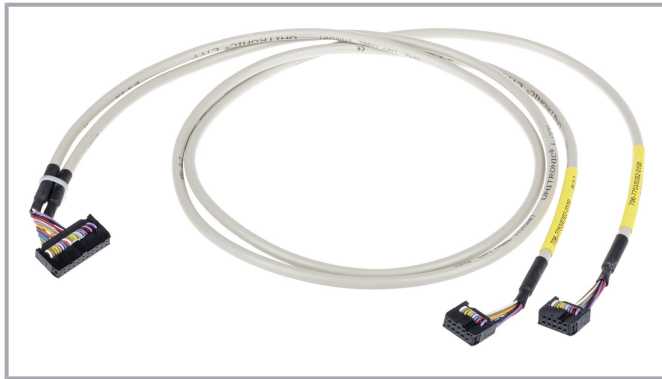


Data sheet | Item number: 706-7753/302-100

System cable; for WAGO-I/O-SYSTEM, 750 Series; 8 digital inputs and 8 digital outputs; Length: 1 m; Conductor cross-section: 0.14 mm²



www.wago.com/706-7753/302-100



Subject to changes. Please also observe the further product documentation!

WAGO GmbH & Co. KG
Hansastr. 27
32423 Minden
Phone: +49571 887-0 | Fax: +49571 887-169
Email: info.de@wago.com | Web: www.wago.com

Do you have any questions about our products?
We are always happy to take your call at +49 (571) 887-44222.



Color coding acc. to DIN VDE 47100 Cable 1; Channel 0-3		Interface connector		PLC connector	
		Pin number	Wiring	Pin number	Signal
White		1	IN0.0	1	A1
Brown		2	IN0.1	2	A1
Green		3	IN0.2	3	A2
Yellow		4	IN0.3	4	A2
Grey		5	IN0.4	5	A3
Pink		6	IN0.5	6	A3
Blue		7	IN0.6	7	A4
Red		8	IN0.7	8	A4
Black		9	+24V	17	+24V
Violet		10	0V	18	0V

Color coding acc. to DIN VDE 47100 Cable 2; Channel 0-7		Interface connector		PLC connector	
		Pin number	Wiring	Pin number	Signal
White		1	OUT0.0	9	DO1
Brown		2	OUT0.1	10	DO2
Green		3	OUT0.2	11	DO3
Yellow		4	OUT0.3	12	DO4
Grey		5	OUT0.4	13	DO5
Pink		6	OUT0.5	14	DO6
Blue		7	OUT0.6	15	DO7
Red		8	OUT0.7	16	DO8
Black		9	+24V	19	+24V
Violet		10	0V	20	0V

Item description

Short description:

WAGO's interface cables provide fast and easy connection of WAGO's I/O modules equipped with a 20-pole pluggable connector (750-1400, -1402, -1500, -1501, -1502) to the appropriate interface or relay modules featuring a 10-pole pluggable connector.

For example, these cables can connect two relay modules (8-channel) to a WAGO I/O Module. The cables are available in 1- and 2-meter lengths; each has one 20-pole and two 10-pole pluggable connectors at both ends.

Data

Notes

Note When using more than 10 wires, the maximum current per wire must

Subject to changes. Please also observe the further product documentation!

WAGO GmbH & Co. KG
 Hansastr. 27
 32423 Minden
 Phone: +49571 887-0 | Fax: +49571 887-169
 Email: info.de@wago.com | Web: www.wago.com

Do you have any questions about our products?
 We are always happy to take your call at +49 (571) 887-44222.



be reduced to 0.7 A.

Electrical data

Inputs/outputs	8 digital inputs and 8 digital outputs
Operating voltage	≤ AC/DC 35 V
Current per wire (max.)	1 A

Compatibility

WAGO

WAGO I/O System 750	750-1502
---------------------	----------

Connection data

Cable type	LIYY
Color code	per DIN VDE 47100

Connection 1

Connector	Pluggable connector per DIN 41651; female connector
Pole number 1	20
Connection type 1	System
Wire cross-section	0.14 mm ²

Connection 2

Connector 2	Pluggable connector per DIN 41651; female connector
Pole number 2	10
Connection type 2	System

Connection 3

Connector 3	Pluggable connector per DIN 41651; female connector
Pole number 3	10
Connection type 3	System

Physical data

Cable length	1 m
--------------	-----

Subject to changes. Please also observe the further product documentation!

WAGO GmbH & Co. KG
 Hansastr. 27
 32423 Minden
 Phone: +49571 887-0 | Fax: +49571 887-169
 Email: info.de@wago.com | Web: www.wago.com

Do you have any questions about our products?
 We are always happy to take your call at +49 (571) 887-44222.

Material Data

Weight	95 g
--------	------

Environmental requirements

Ambient temperature (operation)	-20 ... +50 °C
---------------------------------	----------------

Commercial data

Product Group	30 (WAGO France)
eCl@ss 10.0	27-06-03-11
eCl@ss 9.0	27-06-03-11
ETIM 8.0	EC000237
ETIM 7.0	EC000237
PU (SPU)	1 pcs
Country of origin	FR
GTIN	4045454949860
Customs tariff number	85444290900

Environmental Product Compliance

RoHS Compliance Status	Compliant, No Exemption
------------------------	-------------------------

Optional accessories

Interface module

Interface module



Item no.: 704-5003

Interface module for system wiring; Pluggable connector per DIN 41651; Male connector; 10-pole; 8-channel relay output; 1 changeover contact; Triple-deck PCB terminal blocks; in mounting carrier; 2,50 mm²

www.wago.com/704-5003



Item no.: 704-2003

Interface module for system wiring; Pluggable connector per DIN 41651; Male connector; 10-pole; 8-channel digital input or output; 3-wire connection; in mounting carrier

www.wago.com/704-2003



Item no.: 704-5013

Interface module for system wiring; Pluggable connector per DIN 41651; Male connector; 10-pole; 8-channel relay output; 1 changeover contact; Triple-deck PCB terminal blocks; with manual operation; in mounting carrier; 2,50 mm²

www.wago.com/704-5013



Item no.: 289-611

Interface module; Pluggable connector per DIN 41651; 10-pole; Triple-deck PCB terminal blocks; in mounting carrier; 2,50 mm²

www.wago.com/289-611

Subject to changes. Please also observe the further product documentation!

WAGO GmbH & Co. KG

Hansastr. 27

32423 Minden

Phone: +49571 887-0 | Fax: +49571 887-169

Email: info.de@wago.com | Web: www.wago.com

Do you have any questions about our products?

We are always happy to take your call at +49 (571) 887-44222.



Downloads Documentation

Bid Text

706-7753/302-100 X81 - Datei	2019 Feb 19	xml 3.9 kB	Download
---------------------------------	-------------	---------------	----------

706-7753/302-100 docx - Datei	2018 Nov 26	docx 15.8 kB	Download
----------------------------------	-------------	-----------------	----------

Additional Information

Disposal and Recycling Electrical and electronic equipment, Batteries, Packaging	V 1.1.0 2022 Aug 18	pdf 2.2 MB	Download
---	------------------------	---------------	----------

System Description

WAGO System Wiring, Selection Guide This guide will help you select the appropriate interface modules and system cables for the controller you are usng.		pdf 545.9 kB	Download
---	--	-----------------	----------

CAD/CAE-Data

CAE data

WSCAD Universe 706-7753/302-100	URL	Download
---------------------------------	-----	----------

WSCAD Universe 706-7753/302-100	URL	Download
---------------------------------	-----	----------

Environmental Product Compliance

Compliance Search

Environmental Product Compliance 706-7753/302-100 System cable; for WAGO-I/O-SYSTEM, 750 Series; 8 digital inputs and 8 digital outputs; Length: 1 m; Conductor cross-section: 0.14 mm ²	URL	Download
--	-----	----------

Installation Notes

Subject to changes. Please also observe the further product documentation!

WAGO GmbH & Co. KG
Hansastr. 27
32423 Minden
Phone: +49571 887-0 | Fax: +49571 887-169
Email: info.de@wago.com | Web: www.wago.com

Do you have any questions about our products?
We are always happy to take your call at +49 (571) 887-44222.