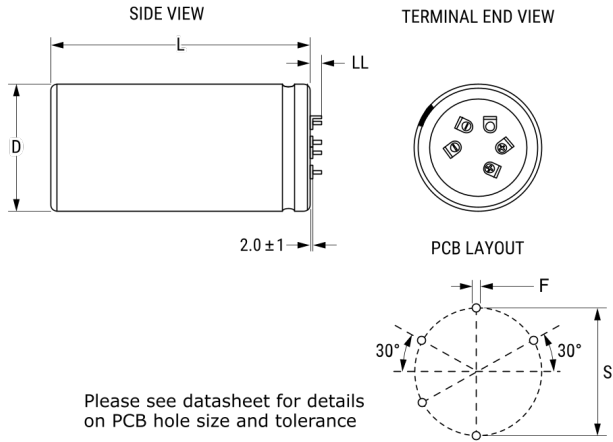


## ALF20G102EL400

Aliases (A533HP102M400G)

ALF20, Aluminum Electrolytic, 1,000 uF, 20%, 400 VDC, -40/+85°C



Please see datasheet for details on PCB hole size and tolerance

Click [here](#) for the 3D model.

### Dimensions

D	40mm +1mm
L	80mm +/-2mm
S	25mm +/-0.1mm
LL	5.5mm +/-1mm
F	1.486mm +/-0.076mm

### Packaging Specifications

Packaging	Bulk
Packaging Quantity	36

### General Information

Series	ALF20
Dielectric	Aluminum Electrolytic
Style	Press-Fit
Description	Press-Fit, Aluminum Electrolytic
RoHS	Yes
Lead	5 Pin Press-Fit
AEC-Q200	No
Component Weight	131 g
Notes	Dimensions Include Slewing.
Shelf Life	156 Weeks

### Specifications

Capacitance	1,000 uF
Capacitance Tolerance	20%
Voltage DC	400 VDC, 440 VDC (Surge)
Temperature Range	-40/+85°C
Rated Temperature	85°C
Life	18000 Hrs (Rated Voltage and Ripple Current at 85C), 29000 Hrs (Rated Voltage at 85C)
Resistance	120 mOhms (100Hz 20C), 78 mOhms (10kHz 20C)
Ripple Current	5 Amps (100Hz 85C), 8.82 Amps (10kHz 85C)
Leakage Current	2400 uA (5min 20°C)