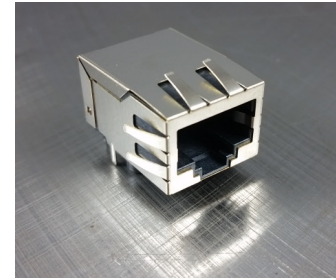




Single Port RJ45 Connector

AR11-4357I

- 10/100/1000 Base T For Ethernet and other Networking Applications
- Compliant to IEEE802.3
- Transmit open circuit inductance (OCL): 350uH (MIN) @ 100KHz, 0.1Vrms with 8mA DC Bias
- RJ45 jack cavity conforms to FCC rules and regulations Part 68, SUB Part F
- Industrial Temp: -40°C to +85°C



Electrical Specifications @ 25°C

Part Number	OCL(μH Min) @ 100kHz, 0.1V With 8mA DC Bias	Turns Ratio (±5%)	Insertion Loss (dB Max)		HI-POT 1mA, 60S 1500Vrms
			1-100MHz	100-125MHz	
AR11-4357I	350	1:1	-1.0	-1.2	

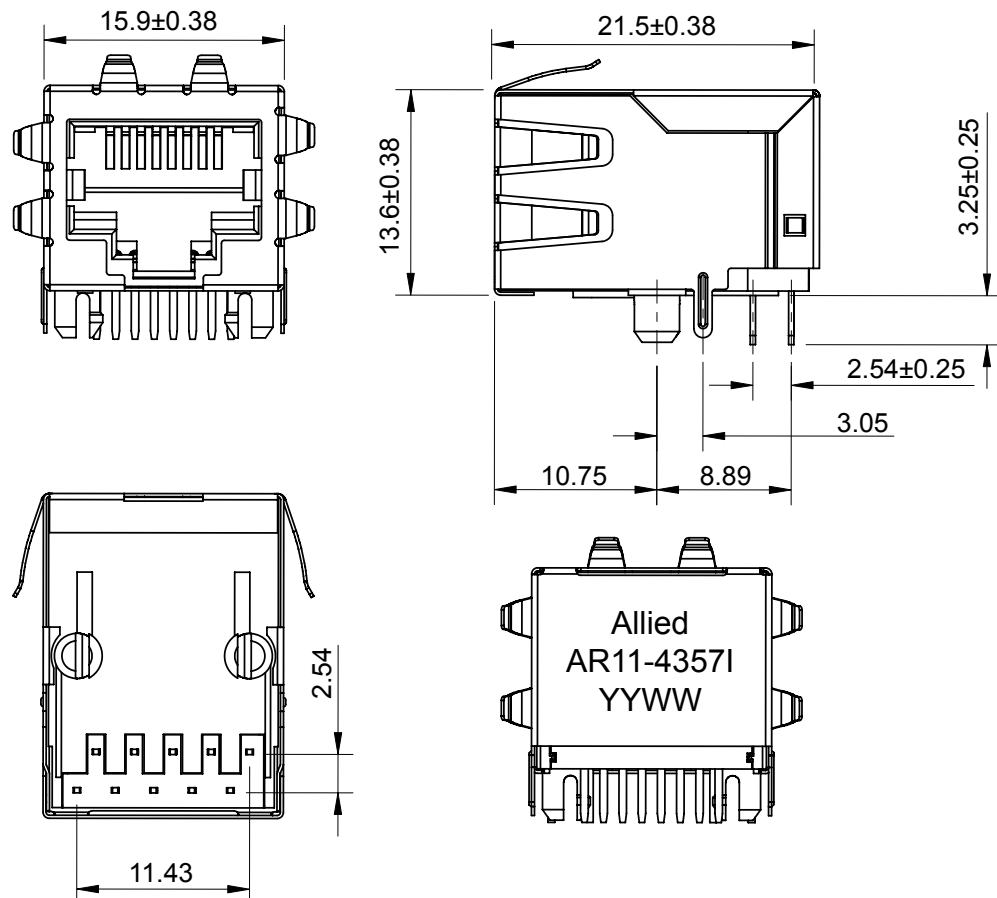
Electrical Specifications @ 25°C

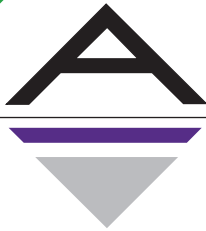
Cross Talk (dB Min)	Return Loss (dB Min)				CMR (dB Min)
	1-30MHz	30-60MHz	60-80MHz	80-100MHz	
1-100 MHz -30	-18	-16	-12	-10	1-100 MHz -30

All specifications subject to change without notice.

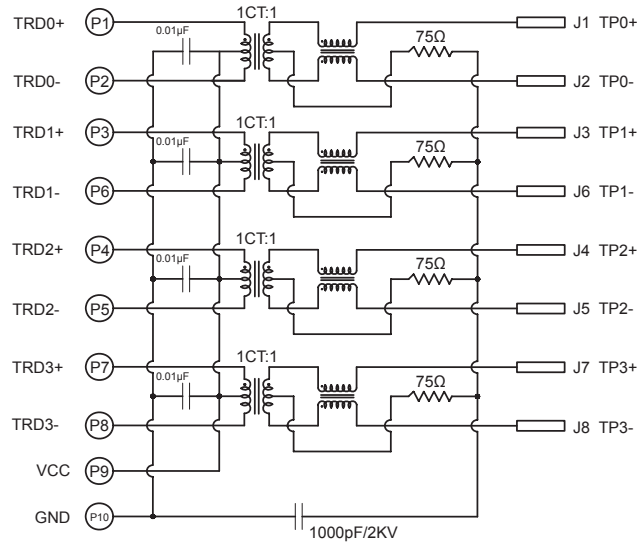
MECHANICAL

Dimensions: mm

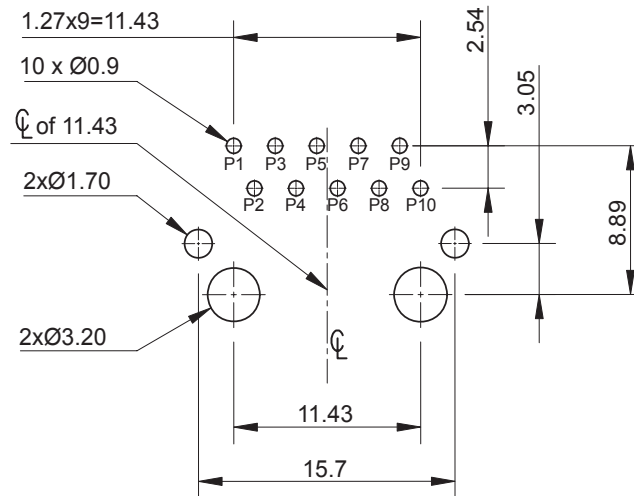




**SCHEMATICS**



**PCB LAYOUT**



**NOTES**

1. Shielded – 0.20mm Thickness Brass C2680 H.  
Plating Nickel 20u”MIN.
2. Housing– Standard Material LCP,Glass Fiber Filled  
Polyester UL94V-0 Standard Color Black.
3. Contact Pin– Plastic:LCP,Glass Fiber Filled  
Polyester UL94V-0 Standard Color Black.  
Pin:0.35mm Thickness Phosphor Bronze C5210 EH.  
Plating:Nickel 30u”~60u” For All And Sn 100%,  
And Gold Plating 30u”.
4. Insert Pin– Plastic:LCP,Glass Fiber Filled  
Polyester UL94V-0 Standard Color Black.  
Pin:0.35mm Thickness SUS430.  
Plating:Sn All Over 30u”~60u” Nickel