

PCE-3B03-00 Backplane: 3 Slot PICMG1.3 Half-size BP, 1 x PCIe x16, 1 x PCIe x4 Startup Manual

Packing List

Before you begin installing your card, please make sure that the following items have been shipped:

- PCE-3B03-00 User Manual 2nd ed. p/n: 20023B0311
- 2-year quality warranty card p/n: 2190000902

If any of these PCE-3B03-00 items are missing or damaged, please contact your distributor or sales representative immediately.

Specifications

Standard Functions

- **PICMG 1.3 slots:** PCE-3B03-00 supports PICMG1.3 half-sized SHB
- **PCIe slots:** PCE-3B03-00 supports one PCIe x16, one PCIe x4

Mechanical and Environmental

- **Dimensions:** 176 X 142.17 mm
- **Power supply voltage:** +12 V, +5 V, -12 V, +3.3 V +5VSBY
- **Power requirements:** Refer to the CPU board, add-on card & peripherals
- **Operating temperature:** 0 ~ 60 °C
- **Weight:** 0.2 kg (weight of board)

For more information on this and other Advantech products, please visit our website at:

<http://www.advantech.com>

<http://www.advantech.com/eplatform>

For technical support and service, please visit our support website at:

<http://www.advantech.com/support>

This manual is for the PCE-3B03-00 series Rev. A1.

Part No. 20023B0311
Printed in China

2nd Edition,
July 2013

Connectors and Jumpers

The backplane has a number of connectors and jumpers that allow you to configure your system to suit your application. The table below lists the function of each of the jumpers and connectors:

| Connectors | |
|-------------|-------------------------------------|
| Label | Function |
| SHBA1~SHBB1 | PICMG1.3 CPU board slot |
| PCIEX16_1 | PCIe x16 slot |
| PCIEX4_1 | PCIe x4 slot |
| EATXPWR1 | ATX2.0 24-pin power connector |
| ATX12V1 | ATX 12V 4-pin power connector |
| VOLT1 | Alarm board / CMM power connector |
| FAN1 | FAN connector |
| FAN2 | FAN connector |
| FAN3 | Reserved |
| SMBUS1 | SMBus connector for chassis monitor |
| JFP1 | Power and reset button connector |

| Jumpers | |
|------------|--------------------------|
| Label | Function |
| PSON1 | ATX / AT mode selection |
| JFAN_CTRL1 | System smart fan control |

| EATXPWR1 | |
|----------|----------|
| Pin | Name |
| 1 | 3.3 V |
| 2 | 3.3 V |
| 3 | GND |
| 4 | 5 V |
| 5 | GND |
| 6 | 5 V |
| 7 | GND |
| 8 | Power OK |
| 9 | 5 V SBY |
| 10 | 12 V |
| 11 | 12 V |

| | |
|----|-------|
| 12 | 3.3 V |
| 13 | 3.3 V |
| 14 | -12 V |
| 15 | GND |
| 16 | PSON# |
| 17 | GND |
| 18 | GND |
| 19 | GND |
| 20 | -5 V |
| 21 | 5 V |
| 22 | 5 V |
| 23 | 5 V |
| 24 | GND |

| ATX12V1 | |
|---------|------|
| Pin | Name |
| 1 | GND |
| 2 | GND |
| 3 | 12 V |
| 4 | 12 V |

| VOLT1 | |
|-------|---------|
| Pin | Name |
| 1 | 5 V SBY |
| 2 | GND |
| 3 | GND |
| 4 | -5 V |
| 5 | 5 V |
| 6 | 3.3 V |
| 7 | -12 V |
| 8 | 12 V |

| FAN1 - FAN3 | |
|-------------|---------------|
| Pin | Name |
| 1 | GND |
| 2 | 12 v |
| 3 | FANIO1~FANIO3 |

| SMBUS1 | |
|--------|----------|
| Pin | Name |
| 1 | 5 V |
| 2 | C-SMBCLK |
| 3 | C-SMBDAT |
| 4 | GND |

| JFP1 | |
|------|--------|
| Pin | Name |
| 1 | PWRBTN |
| 2 | GND |
| 3 | RESET |
| 4 | GND |

| PSON1: ATX/AT Mode Selection | |
|------------------------------|----------|
| Jumper Setting | Function |
| 1-2 | AT mode |
| 2-3 (Default) | ATX mode |



| JFAN_CTRL1: System Smart Fan Control | |
|--------------------------------------|----------------|
| Jumper Setting | Function |
| 1-2 (Default) | Smart fan |
| 2-3 | Full speed fan |



Locating Connectors and Jumpers

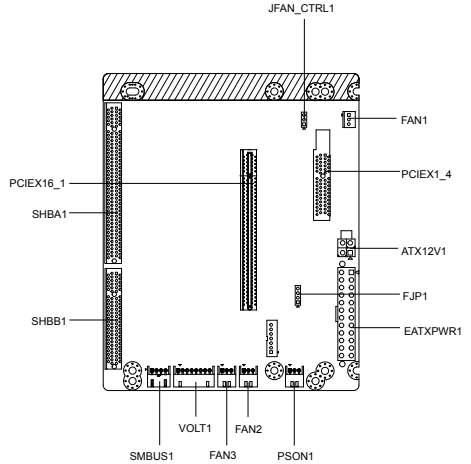


Figure 1: Locating Connectors and Jumpers

Board Dimensions

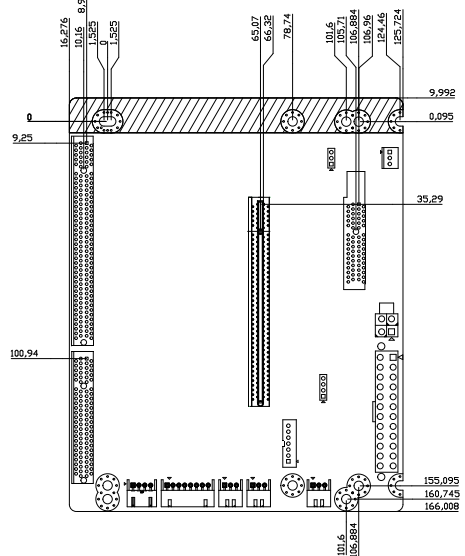


Figure 2: Mechanical Drawing

Board Diagram

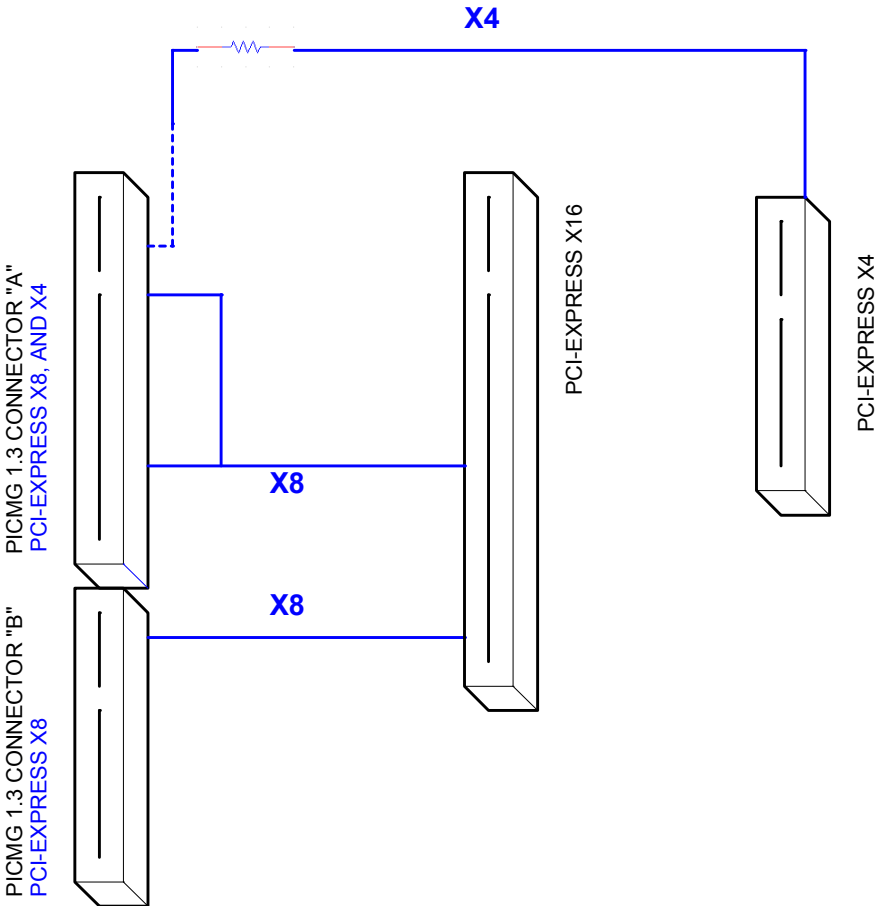


Figure3: PCE-3B03-00 Board Diagram