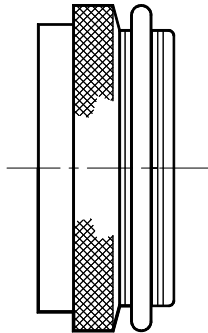


REVISIONS			
LTR	DESCRIPTION	DATE	APPROVED
N/C	INITIAL RELEASE	NOV 00	KJW



PANCAKE TINEL-LOCK ADAPTER

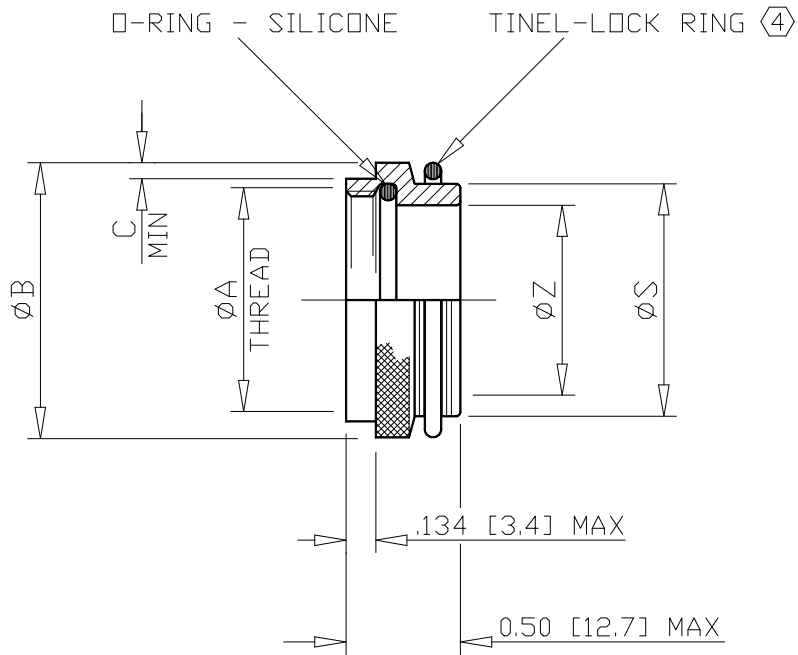
NOTES:

1. THIS PRODUCT IS DESIGNED TO TERMINATE A BRAIDED CABLE SHIELD AND A HEAT SHRINKABLE LIPPED BOOT TO A CONNECTOR.
- ② SEE DRAWING "TR" FOR DETAILS ON TINEL-LOCK RING. RINGS ARE DESIGNED TO BE HEATED ELECTRICALLY. ALL RINGS ARE MARKED WITH THERMOCHROMIC PAINT WHICH CHANGES COLOR WHEN INSTALLATION TEMPERATURE IS REACHED.
3. ADAPTER TO BE PERMANENTLY MARKED WITH CODE IDENT. NO. AND PART NO. LESS RING DESIGNATOR (E.G.: 06090-PNT41AB00-1412). RINGS SHALL BEAR NO MARKING.
- ④ TINEL-LOCK RING IS TO BE SPECIFIED IN PART NUMBER WHEN ORDERING.
- ⑤ ADAPTER MATES TO MIL-C-38999, SERIES I AND II, CLASS E, P, AND T, MS27466, MS27467, MS27468, MS27472, MS27473, MS27474, MS27479, MS27480, MS27481, MS27484, MS27497, MS27652, MS27653, MS27656 CONNECTORS.

If this document is printed it becomes uncontrolled.
Check for the latest revision.

SPECIFICATION CONTROL DRAWING

<p>UNLESS OTHERWISE SPECIFIED DIMENSIONS ARE IN INCHES. METRIC DIMENSIONS ARE IN BRACKETS.</p> <p>DECIMALS .XXX ± — [mm] .XX ± — [mm] .X ± — [mm]</p> <p>ANGLES .X ± —</p>	DRAWN IRT	DATE SEP 00	tyco /Electronics		
	CHECKED KJW	DATE SEP 00			
	APPROVED KJW	DATE SEP 00	TITLE TINEL-LOCK™ ADAPTER (PANCAKE CODE 41)		
	APPROVED	DATE			
	CAD NAME 85007-41		SIZE A	CODE IDENT. NO. 06090	DWG. NO. PNT41
THIRD ANGLE PROJECTION		DO NOT SCALE THIS DWG		SHEET 1 OF 3	



If this document is printed it becomes uncontrolled.
 Check for the latest revision.

SIZE	CODE IDENT. NO.	DWG. NO.	REV.
A	06090	PNT41	N/C
DO NOT SCALE THIS DWG.		SHEET 2 OF 3	



TABLE I						
ORDER NUMBER	SHELL SIZE 		MAX ENTRY  SIZE	ØA UNIFIED THREAD CLASS 2B	ØB MAX	C MIN
	SER I	SER II				
08	9	08	05	0.438-28 UNEF	.71 [18.0]	.040 [1.00]
10	11	10	07	0.562-24 UNEF	.83 [21.0]	.040 [1.00]
12	13	12	10	0.688-24 UNEF	.95 [24.1]	.040 [1.00]
14	15	14	12	0.812-20 UNEF	1.03 [26.2]	.040 [1.00]
16	17	16	14	0.938-20 UNEF	1.21 [30.7]	.065 [1.65]
18	19	18	16	1.062-18 UNEF	1.34 [34.0]	.065 [1.65]
20	21	20	18	1.188-18 UNEF	1.46 [37.1]	.065 [1.65]
22	23	22	20	1.312-18 UNEF	1.58 [40.1]	.065 [1.65]
24	25	24	22	1.438-18 UNEF	1.70 [43.2]	.065 [1.65]

TABLE II			
ENTRY SIZE	ØZ	ØS	
	+0.10 -0.20 [+0.25] [-0.50]		
05	.312	.438	[11.13]
	[7.92]	.432	[10.97]
07	.437	.563	[14.31]
	[11.09]	.556	[14.12]
10	.562	.752	[19.11]
	[14.27]	.742	[18.84]
12	.687	.877	[22.28]
	[17.45]	.867	[22.02]
14	.812	1.002	[25.46]
	[20.62]	.991	[25.17]
16	0.922	1.127	[28.63]
	[23.42]	1.116	[28.34]
18	1.047	1.252	[31.81]
	[26.59]	1.241	[31.52]
20	1.172	1.377	[34.98]
	[29.77]	1.366	[34.69]
22	1.297	1.502	[38.15]
	[32.94]	1.488	[37.79]

If this document is printed it becomes uncontrolled.
Check for the latest revision.

SIZE	CODE IDENT. NO.	DWG. NO.	REV
A	06090	PNT41	N/C
DO NOT SCALE THIS DWG			SHEET 3 OF 3