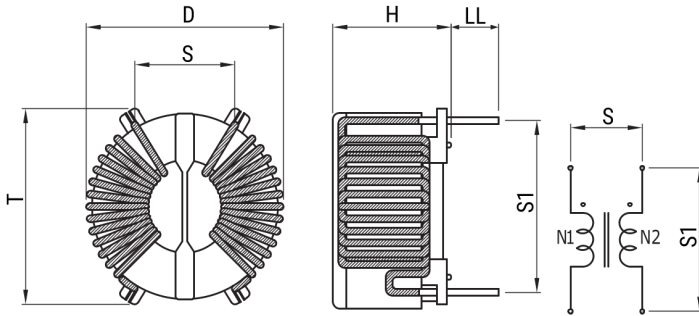


## SC-02-E120JKH

Aliases (UALSCO2E120JKH)

KEMET, SC\_JKH, AC Line Filters, Common Mode, 12 mH



Click [here](#) for the 3D model.

### Dimensions

D	26mm MAX
T	24.5mm MAX
H	17mm MAX
LL	3.5mm +/-1mm
S	11mm NOM
S1	18mm NOM
Wire Size	0.55mm

### Packaging Specifications

Packaging	Tray
Packaging Quantity	320
Component Weight	13.1 g

### General Information

Series	SC_JKH
Style	Through-Hole
RoHS	Yes
Notes	Lead Spacing (S/S1) Are For Reference Only.
Miscellaneous	Temperature Rise Maximum: 70 K.
Core	Mn-Zn Ferrite

### Specifications

Voltage AC	250 VAC
Inductance	12 mH
Current	2 A
Temperature Range	-25/+120°C
DC Resistance	180 mOhms