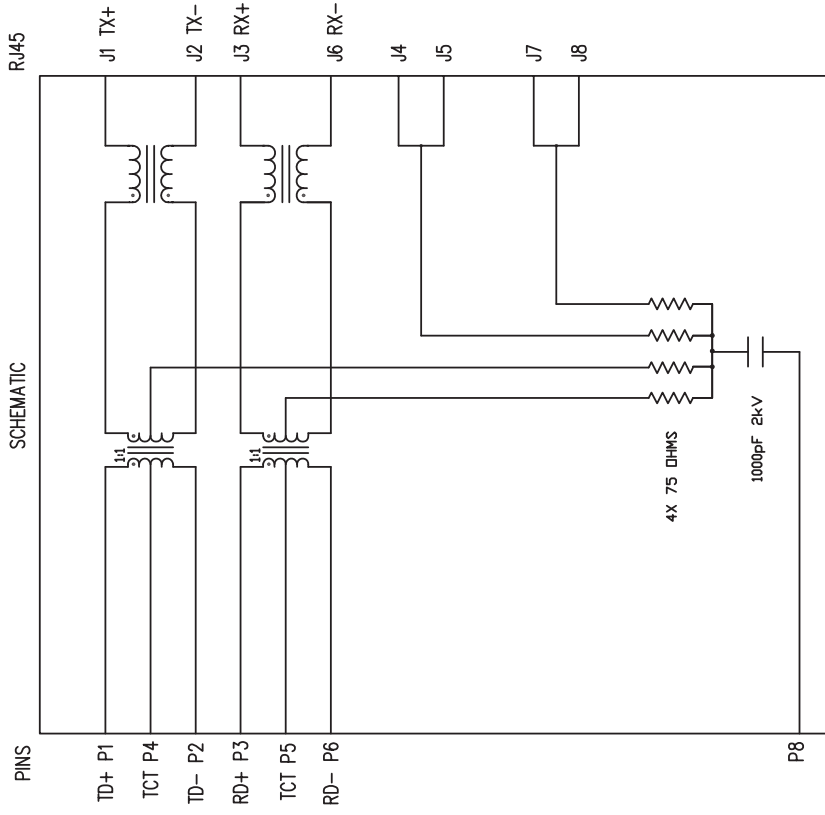


THE INFORMATION CONTAINED HEREIN IS CONSIDERED "PROPRIETARY" TO BEL FUSE INC. AND SHALL NOT BE COPIED, REPRODUCED OR DISCLOSED WITHOUT THE WRITTEN APPROVAL OF BEL FUSE INC.



ELECTRICAL CHARACTERISTICS @ 25°C

- 1.0 TURNS RATIO: (P3-P5-P6) : (J3-J6)
(P1-P4-P2) : (J1-J2)
: 1CT : 1CT± 3%
: 1CT : 1CT ± 3%
- 2.0 INDUCTANCE: (P1-P2)
(P3-P6)
: 350uH MIN. @ 0.1V, 100KHz, 8mA DC Bias
: 350uH MIN. @ 0.1V, 100KHz, 8mA DC Bias
- 3.0 LEAKAGE INDUCTANCE: P6-P3 (WITH J6 AND J3 SHORT)
P2-P1 (WITH J2 AND J1 SHORT)
: 0.3 MAX. @ 1MHZ
: 0.3 MAX. @ 1MHZ
- 4.0 INTERWINDING CAPACITANCE: (P6,P5,P3) TO (J6,J3)
(P2,P4,P1) TO (J2,J1)
: 30pf MAX @ 1MHZ
: 30pf MAX. @ 1MHZ
- 5.0 DC RESISTANCE: (J6-J3)=(J2-J1)
: 1.2 ohms Max.
- 6.0 RETURN LOSS: (P6-P4)=100 OHMS AND (P1-P2)=100 OHM REF.
1MHz TO 30MHz : 18dB MIN.
60MHz TO 80MHz : 12dB MIN.
- NOTE: 100 OHMS CONNECTED TO (J2-J1) OR (J6-J3).
- 7.0 DIELECTRIC WITHSTAND: (J1, J2) TO (P1, P2)
(J3, J6) TO (P3, P6)
: 1500 Vrms
: 1500 Vrms
- 8.0 INSERTION LOSS: RS=RL=100 ohms
100kHz TO 100MHz
: 1.1 dB TYP
- 9.0 RISE TIME: RS=100 OHMS AND RL = 100 OHMS
OUTPUT VOLTAGE = 1 V peak
PULSE WIDTH= 112ns
: 3.0 nS MAX
: 3.0 nS MAX
- 10.0 CROSS TALK: 1MHz TO 100MHz
: 40 dB TYP
- 11.0 COMMON TO COMMON MODE ATTENUATION: 30MHz TO 100MHz : 35dB TYP
- 12.0 OPERATING TEMPERATURE : 0°C TO 70°C



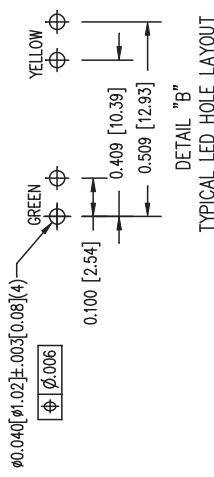
NOTES

1.0 PINS WITHOUT ELECTRICAL CONNECTION ARE OMITTED.

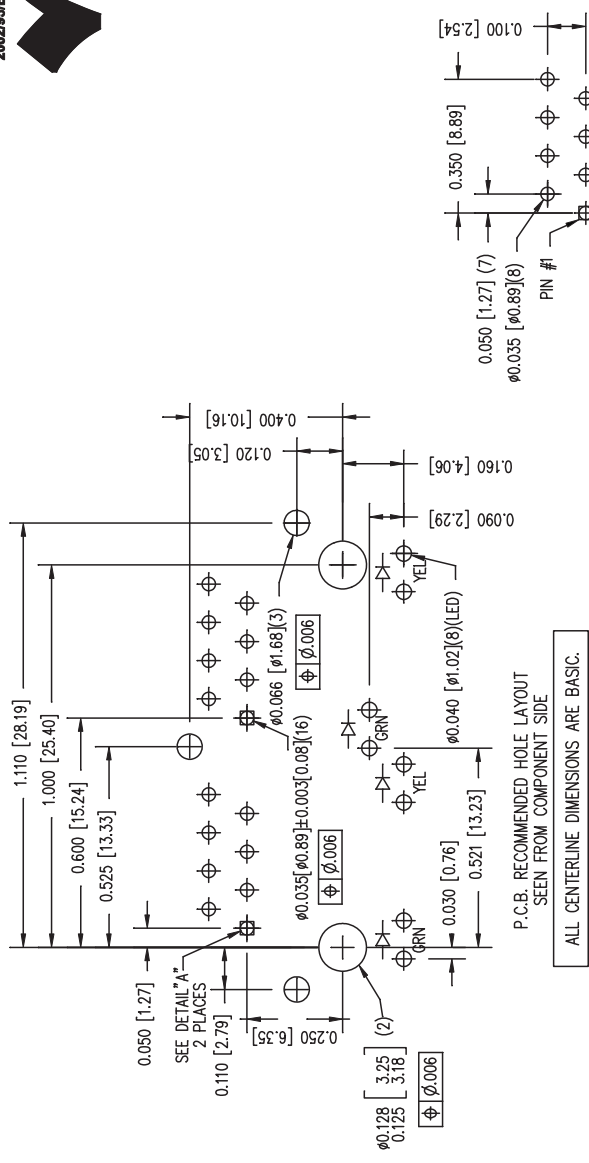
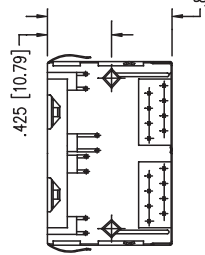
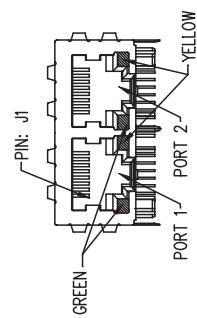
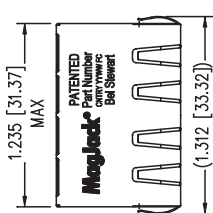
ORIGINATED BY X.B Wei		DATE 05-24-10		TITLE MagJack® 10/100BT TAB DOWN, SHIELDED PATENTED		PART NO. / DRAWING NO. SI-60159-F		STANDARD DIM. TOL. IN INCH .X .XX .XXX		[] METRIC DIM. AS REFERENCE UNIT : INCH [mm] SCALE : N/A		REV. : A2 SIZE : A4 PAGE : 2	
DRAWN BY RS Zhang		DATE 05-24-10		FILE NAME SI-60159-F.DWG		±0.005							

This document is electronically generated. This is a controlled copy if used Internally

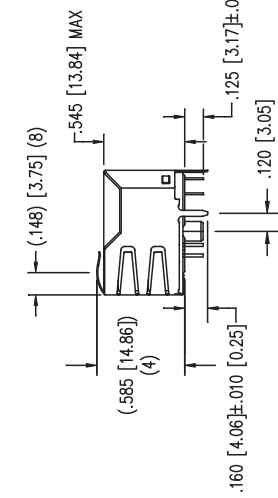
THE INFORMATION CONTAINED HEREIN IS CONSIDERED "PROPRIETARY" TO BEL FUSE INC. AND SHALL NOT BE COPIED, REPRODUCED OR DISCLOSED WITHOUT THE WRITTEN APPROVAL OF BEL FUSE INC.



TYPICAL LED HOLE LAYOUT



P.C.B. RECOMMENDED HOLE LAYOUT
SEEN FROM COMPONENT SIDE
ALL CENTERLINE DIMENSIONS ARE BASIC.



LED SPECIFICATION		
STANDARD LED	WAVELENGTH	FORWARD V (MAX) * (TYP)
GREEN	565 nm	2.5 V 2.2 V
YELLOW	590 nm	2.5 V 2.1 V

*WITH A FORWARD CURRENT OF 20 mA (TYP)

- NOTES:
- CONNECTOR MATERIALS:
HOUSING: THERMOPLASTIC UL94 V-0
CONTACT/SHIELD: COPPER ALLOY
SHIELD PLATING: NICKEL OR TIN
CONTACT PLATING: SELECTIVE GOLD,
50 MICRO-INCHES MIN. IN CONTACT AREA.
 - PIN NOT ELECTRICALLY CONNECTED MAYBE OMITTED.
SEE ELECTRICAL DRAWING FOR OMITTED PINS.
 - TOLERANCES COMPLY WITH F.C.C. DIMENSION REQUIREMENTS.
 - ALL TOLERANCES NOT OTHERWISE SPECIFIED TO BE ±.005 [0.13]
 - WAVE SOLDER COMPATIBLE - PREHEAT 125°C/90SECS.

DETAIL "A"
TYPICAL HOLE LAYOUT
2 PLACES

ORIGINATED BY X.B Wei
DRAWN BY RS Zhang
DATE 05-24-10
DATE 05-24-10

TITLE
MagJack®
10/100BT
TAB DOWN, SHIELDED
PATENTED

PART NO. / DRAWING NO.
SI-60159-F
FILE NAME
SI-60159-F.DWG

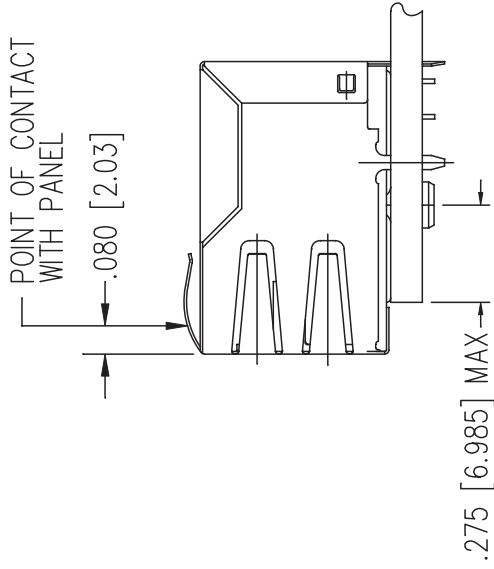
STANDARD DIM. TOL. IN INCH
X
.XX
.XXX
±.005

[] METRIC DIM. AS REFERENCE
UNIT : INCH [mm]
SCALE : N/A
REV. : A2
SIZE : A4
PAGE : 3

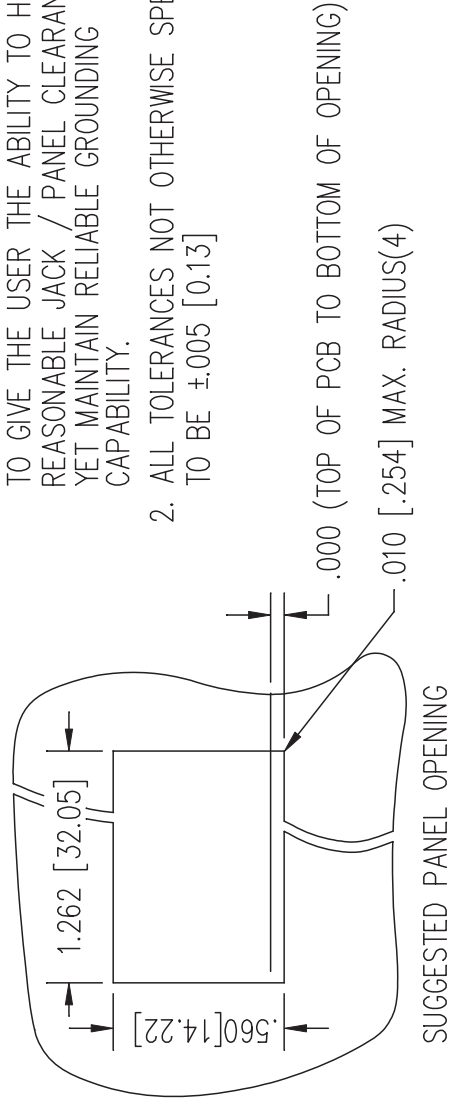


This document is electronically generated. This is a controlled copy if used internally

THE INFORMATION CONTAINED HEREIN IS CONSIDERED "PROPRIETARY" TO BEL FUSE INC. AND SHALL NOT BE COPIED, REPRODUCED OR DISCLOSED WITHOUT THE WRITTEN APPROVAL OF BEL FUSE INC.



1. THE SUGGESTED PANEL OPENING IS INTENDED TO GIVE THE USER THE ABILITY TO HAVE REASONABLE JACK / PANEL CLEARANCES YET MAINTAIN RELIABLE GROUNDING CAPABILITY.
2. ALL TOLERANCES NOT OTHERWISE SPECIFIED TO BE ± 0.005 [0.13]



ORIGINATED BY	DATE	TITLE
X.B Wei	05-24-10	MagJack® 10/100BT TAB DOWN SHIELDED PATENTED
DRAWN BY	DATE	
RS Zhang	05-24-10	

PART NO. / DRAWING NO.	SI-60159-F
FILE NAME	SI-60159-F.DWG

STANDARD DIM.	TOL. IN INCH
.X	
.XX	
.XXX	± 0.005

[] METRIC DIM. AS REFERENCE	REV. :	A2
UNIT : INCH [mm]	SCALE :	N/A
SCALE : N/A	SIZE :	A4
	PAGE :	4



This document is electronically generated. This is a controlled copy if used internally