

U_B2B-Connectors
B2B-Connectors.SchDoc

U_B13
B13.SchDoc

U_B14
B14.SchDoc

U_B15
B15.SchDoc

U_B16
B16.SchDoc

U_B34
B34.SchDoc

U_FPGA-MGT
FPGA-MGT.SchDoc

U_FPGA-CFG
FPGA-CFG.SchDoc

U_FPGA-PWR
FPGA-PWR.SchDoc

U_Clock
Clock.SchDoc

U_DDR3-RAM
DDR3-RAM.SchDoc

U_ETHERNET
ETHERNET.SchDoc

U_CPLD
CPLD.SchDoc

U_PWR1
PWR1.SchDoc

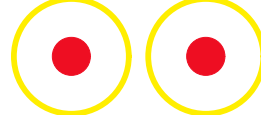
U_PWR2
PWR2.SchDoc

Serial
Serial
Serialnumber 6,3 x 6.3mm

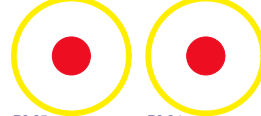
FIDU-DOT - small FIDU-DOT - small



PM1 PM2
FIDU-DOT - small FIDU-DOT - small

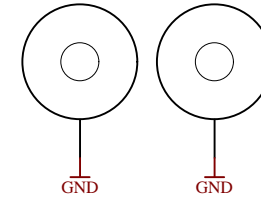


PM3 PM4
FIDU-DOT - small FIDU-DOT - small

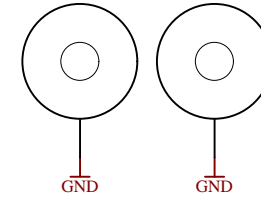


PM5 PM6

Mount.Hole 3.2mm Mount.Hole 3.2mm



Mount.Hole 3.2mm Mount.Hole 3.2mm



Top of Board



Screw M3x4

Distance Holder M3x8

Screw M3x6

Screw M3x4

Distance Holder M3x8

Screw M3x6

Screw M3x4

Distance Holder M3x8

Screw M3x6

Screw M3x4

Distance Holder M3x8

Screw M3x6



Title: TE0712		
A4	Number: TE0712 100_2C3	Rev. 02
Date: 2015-12-09	Copyright: Trenz Electronic GmbH	Page 1 of 16
Filename: TE0712.SchDoc		

A

B

C

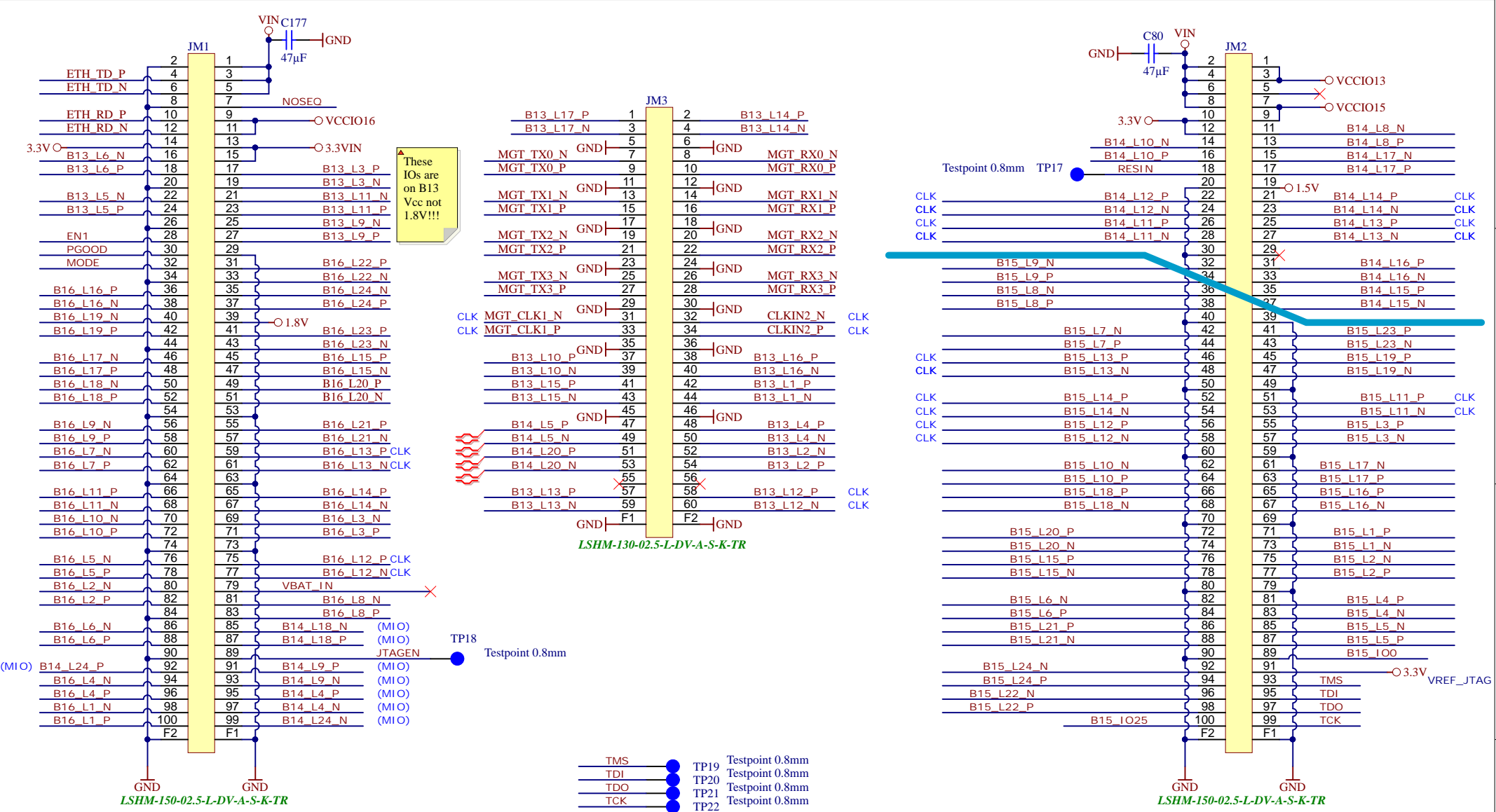
D

A

B

C

D

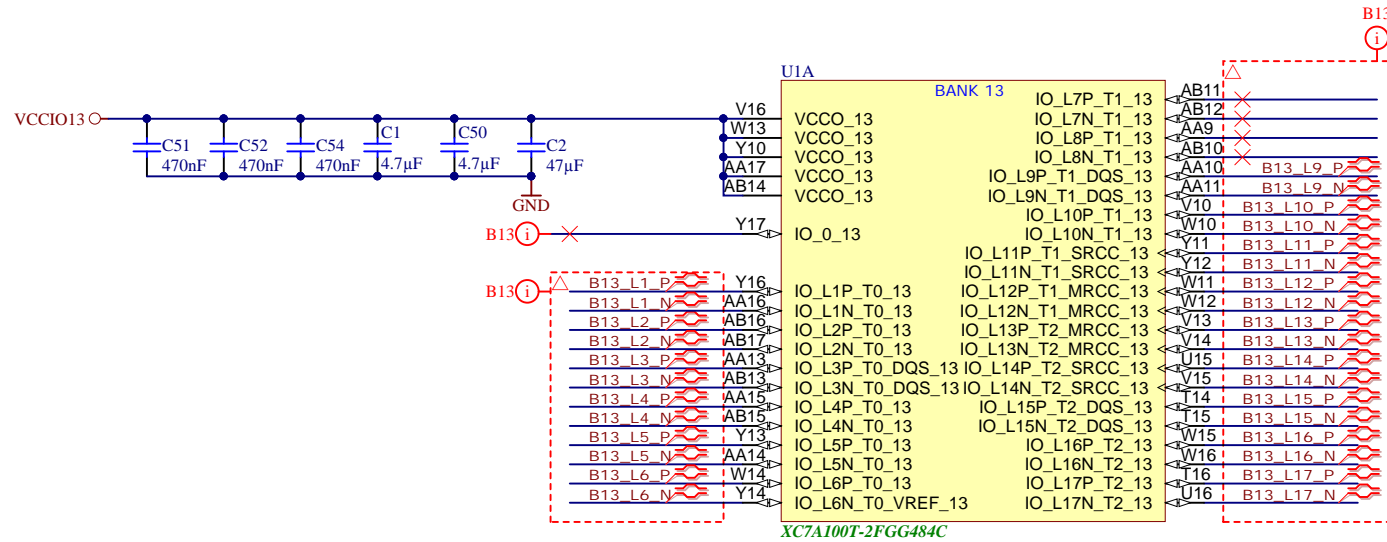


These IOs are on B13 Vcc not 1.8V!!!

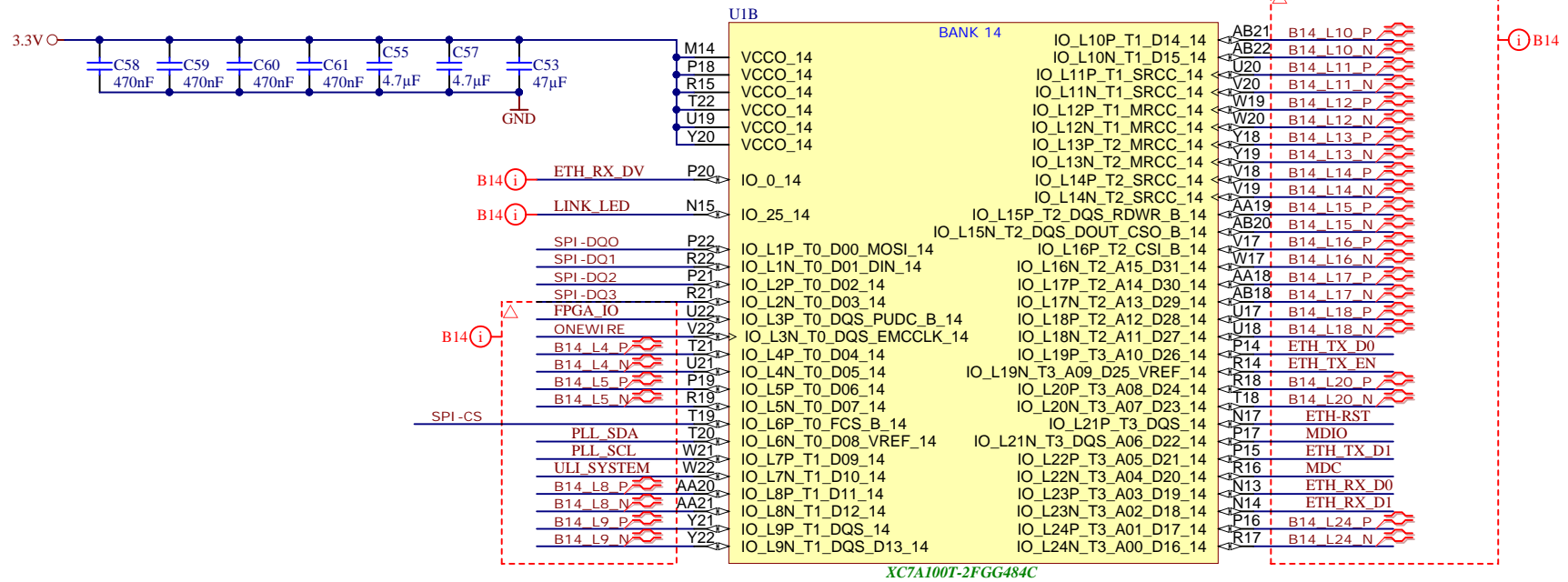
- TMS ● TP19 Testpoint 0.8mm
- TDI ● TP20 Testpoint 0.8mm
- TDO ● TP21 Testpoint 0.8mm
- TCK ● TP22 Testpoint 0.8mm



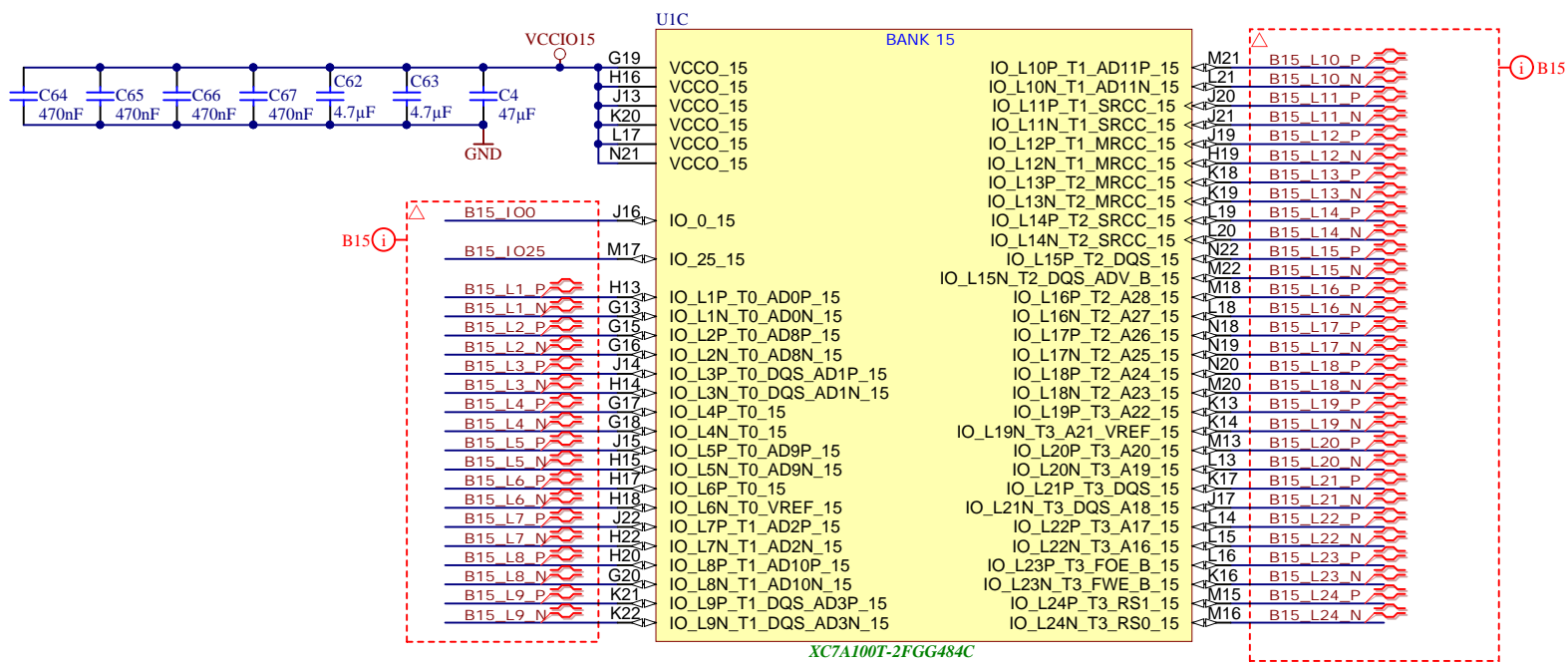
Title: B2B		
A4	Number: TE0712 100_2C3	Rev. 02
Date: 2015-12-09	Copyright: Trenz Electronic GmbH	Page2 of 16
Filename: B2B-Connectors.SchDoc		



Title: B13		
A4	Number: TE0712 100_2C3	Rev. 02
Date: 2015-12-09	Copyright: Trenz Electronic GmbH	Page 3 of 16
Filename: B13.SchDoc		



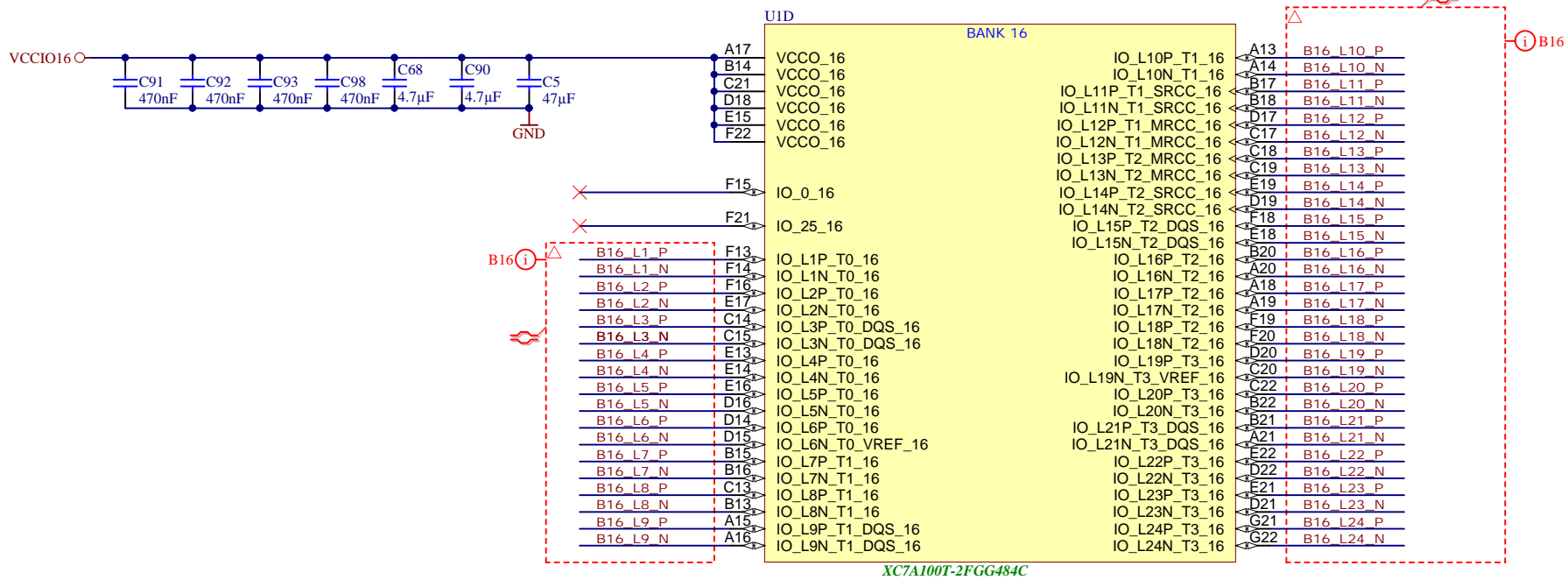
Title: B14		
A4	Number: TE0712 100_2C3	Rev. 02
Date: 2015-12-09	Copyright: Trenz Electronic GmbH	Page 4 of 16
Filename: B14.SchDoc		




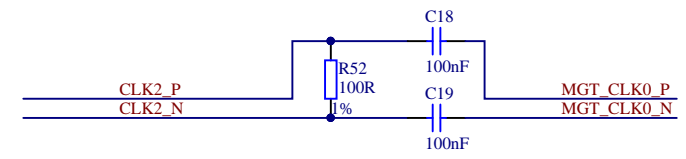
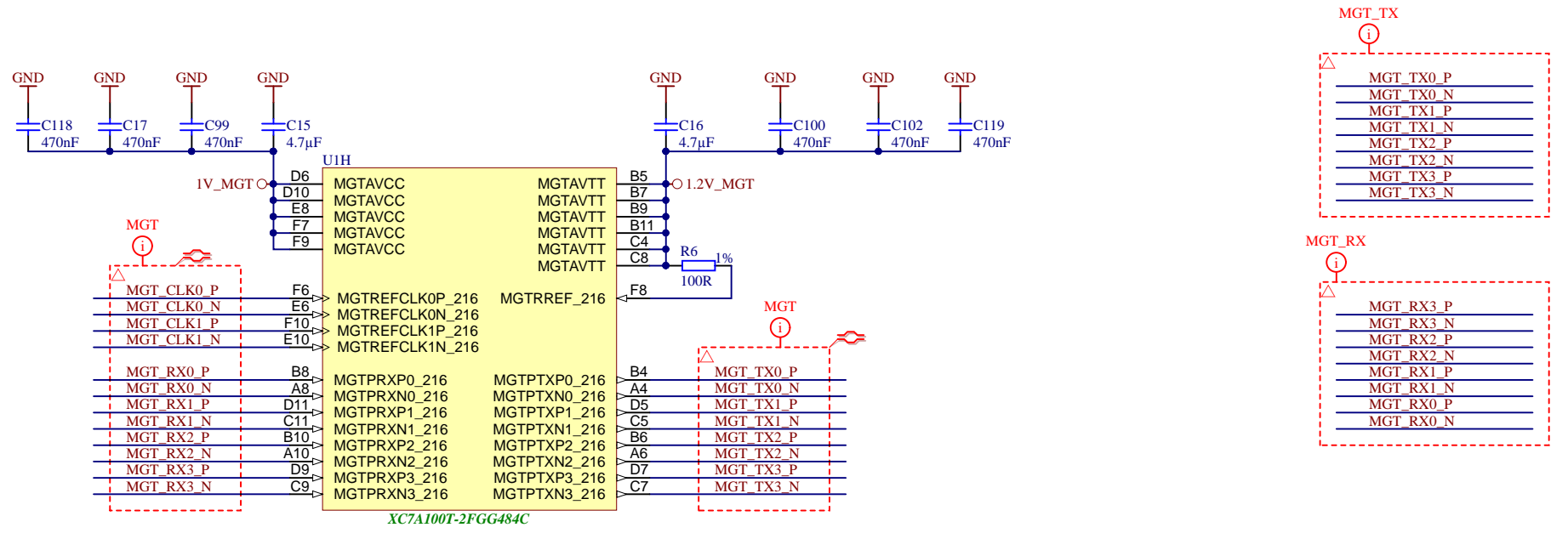
XC7A100T-2FG484C




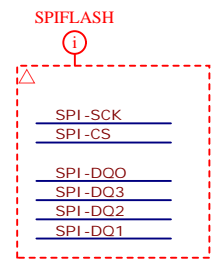
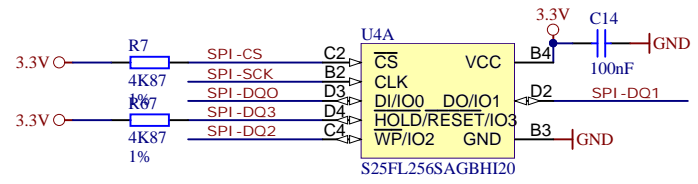
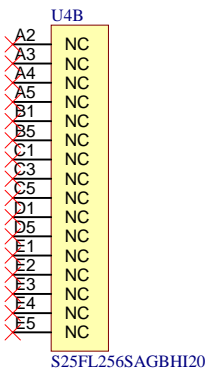
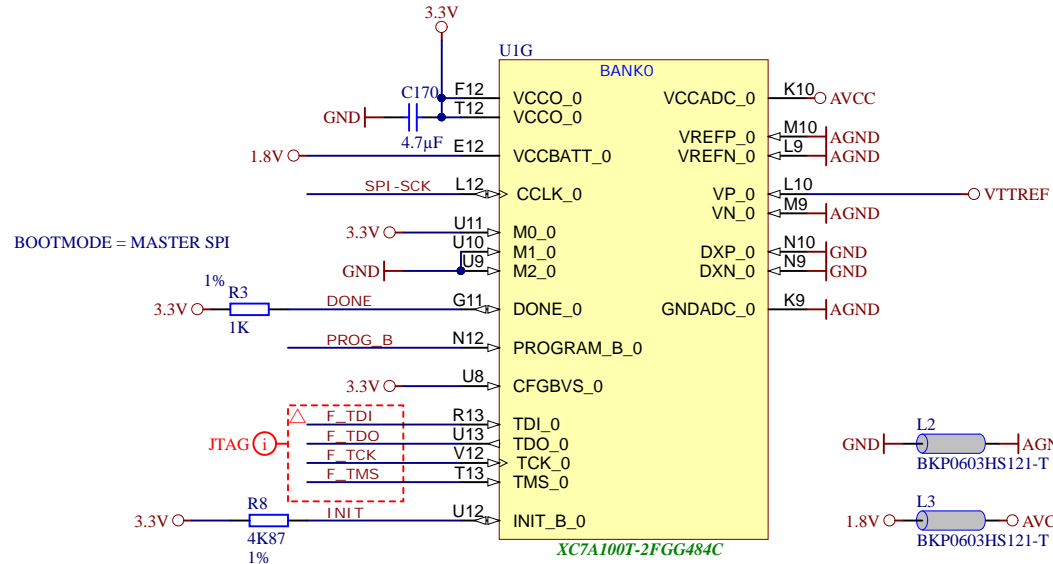
Title: B15		
A4	Number: TE0712 100_2C3	Rev. 02
Date: 2015-12-09	Copyright: Trenz Electronic GmbH	Page 5 of 16
Filename: B15.SchDoc		



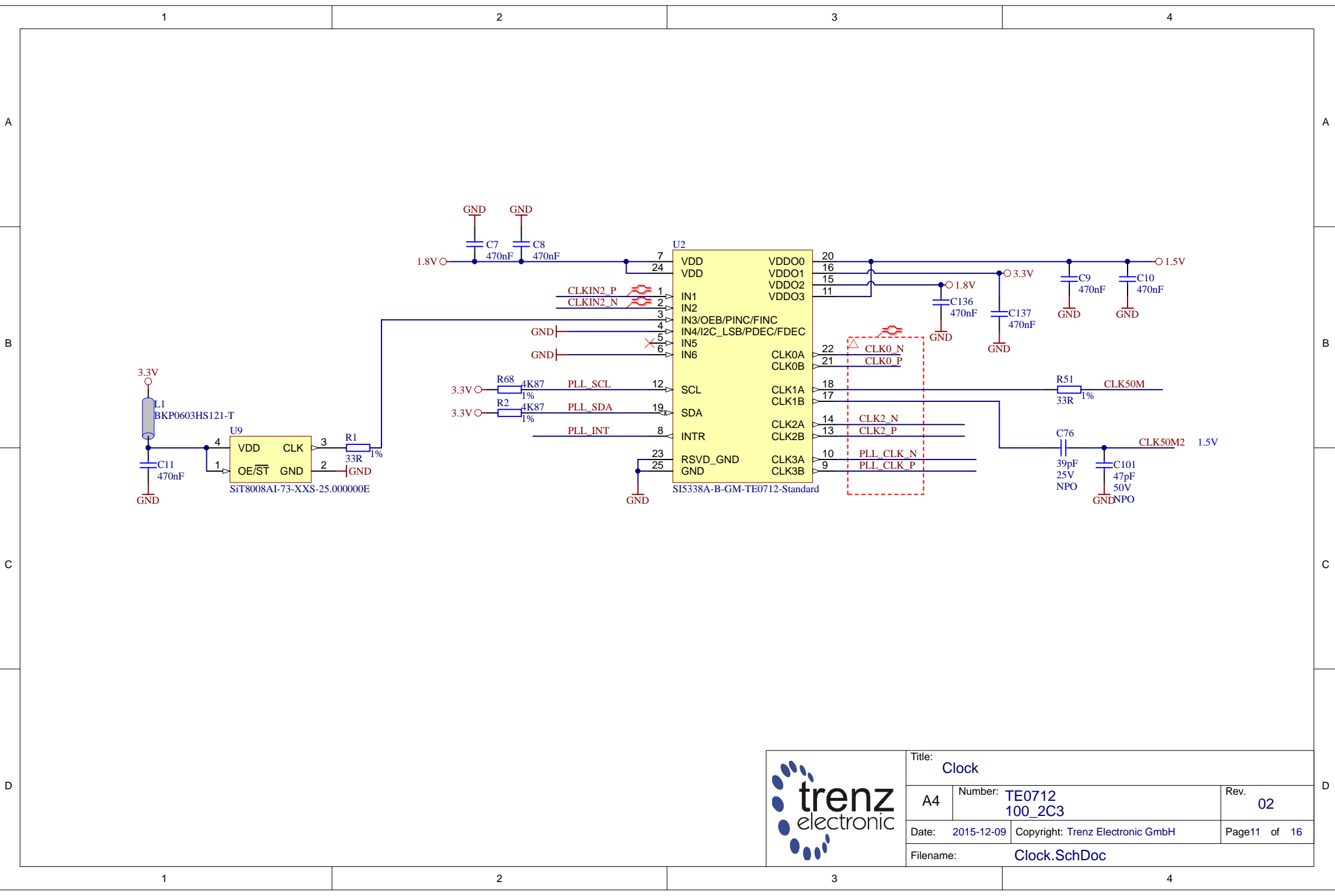
	Title: B16		
	A4	Number: TE0712 100_2C3	Rev. 02
	Date: 2015-12-09	Copyright: Trenz Electronic GmbH	Page 6 of 16
	Filename: B16.SchDoc		




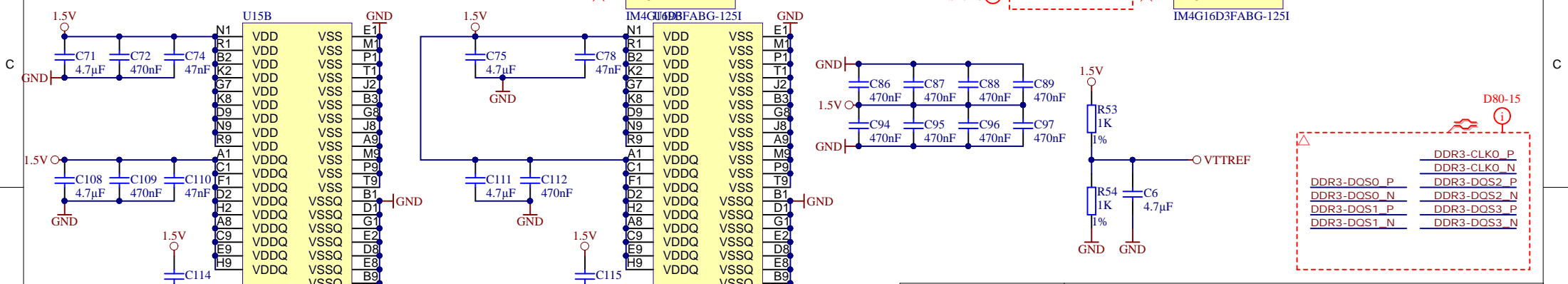
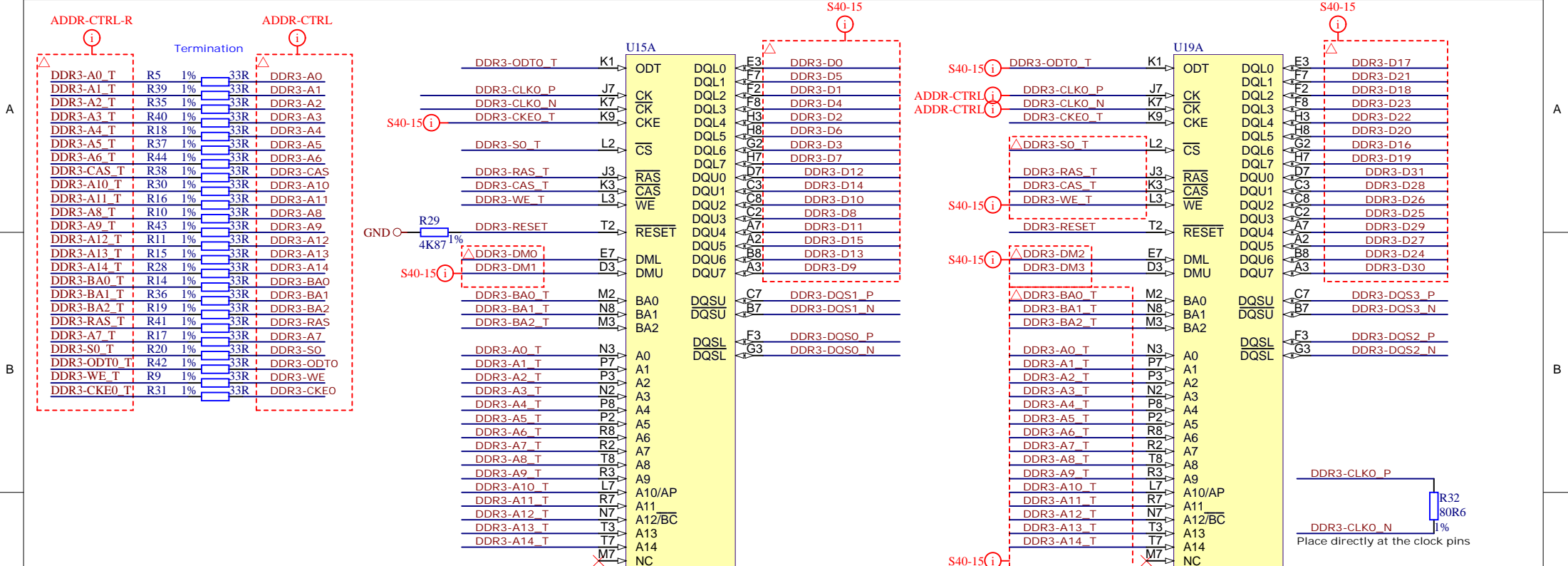
	Title: MGT		
	A4	Number: TE0712 100_2C3	Rev. 02
	Date: 2015-12-09	Copyright: Trenz Electronic GmbH	Page 8 of 16
	Filename: FPGA-MGT.SchDoc		



Title: CFG		
A4	Number: TE0712 100_2C3	Rev. 02
Date: 2015-12-09	Copyright: Trenz Electronic GmbH	Page9 of 16
Filename: FPGA-CFG.SchDoc		

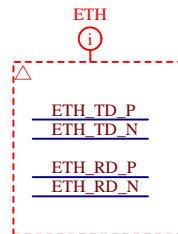
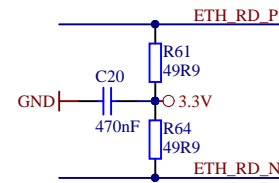
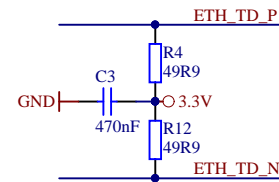
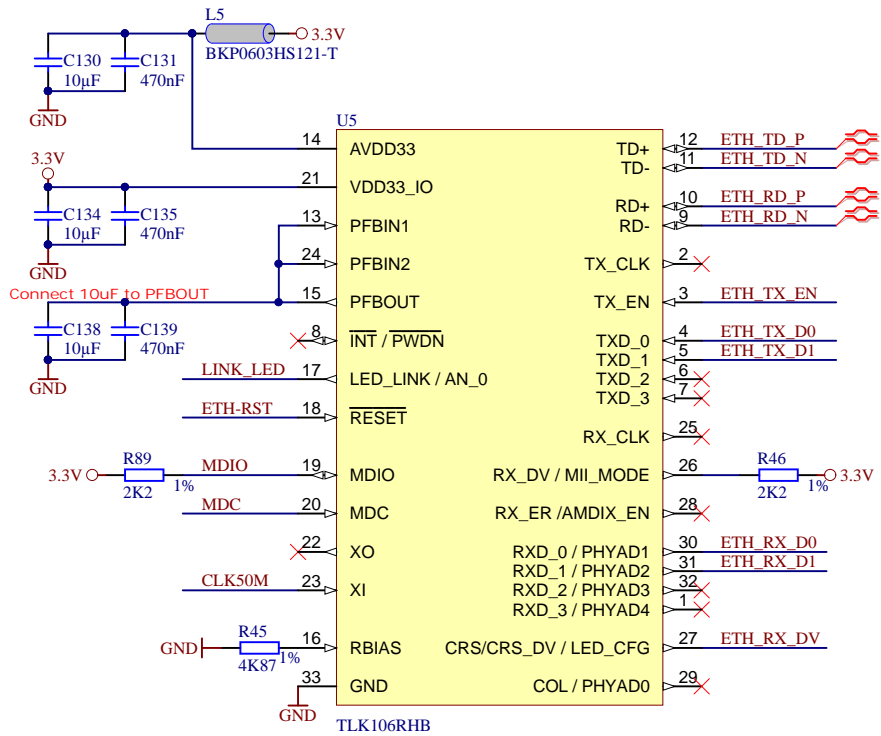



			Title: Clock	
			A4	Number: TE0712 100_2C3
Date: 2015-12-09		Copyright: Trenz Electronic GmbH		Page 11 of 16
Filename: Clock.SchDoc				



Title: **DDR3**

A4	Number: TE0712 100_2C3	Rev. 02
Date: 2015-12-09	Copyright: Trenz Electronic GmbH	
Filename: DDR3-RAM.SchDoc		Page 12 of 16



		Title: ETH	
		A4	Number: TE0712 100_2C3
Date: 2015-12-09		Copyright: Trenz Electronic GmbH	
Filename: ETHERNET.SchDoc		Page13 of 16	

1

2

3

4

A

A

B

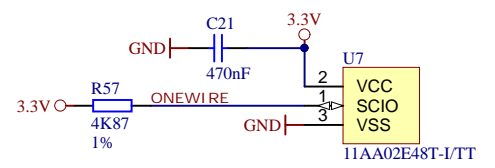
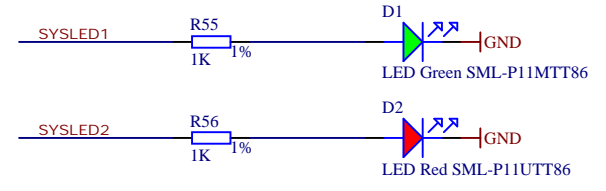
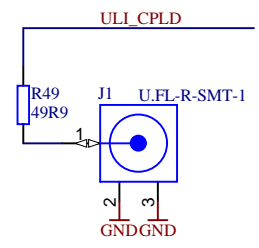
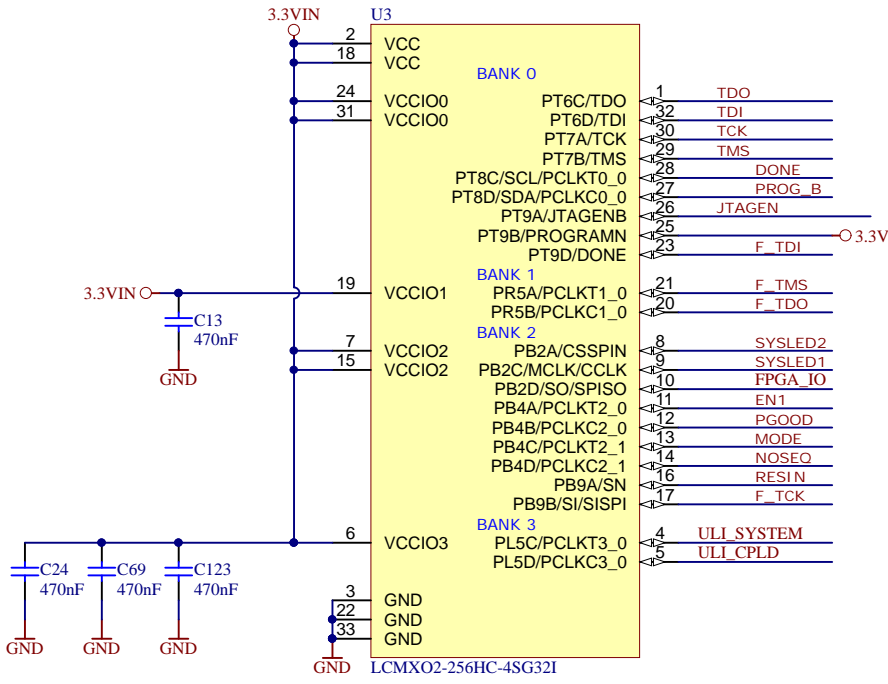
B

C

C

D

D



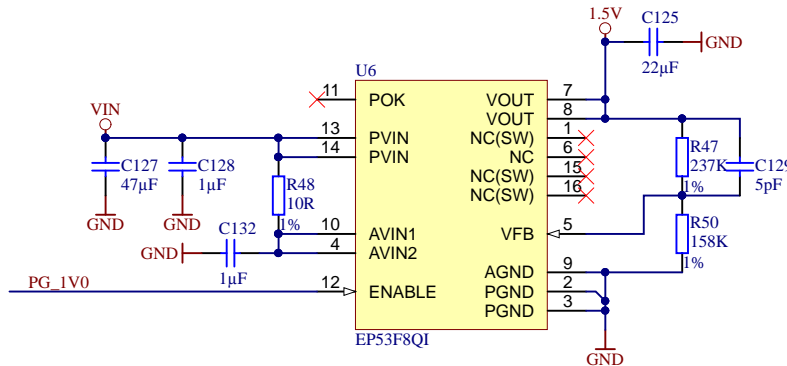
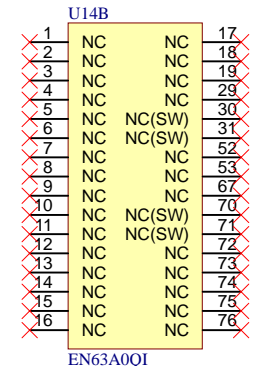
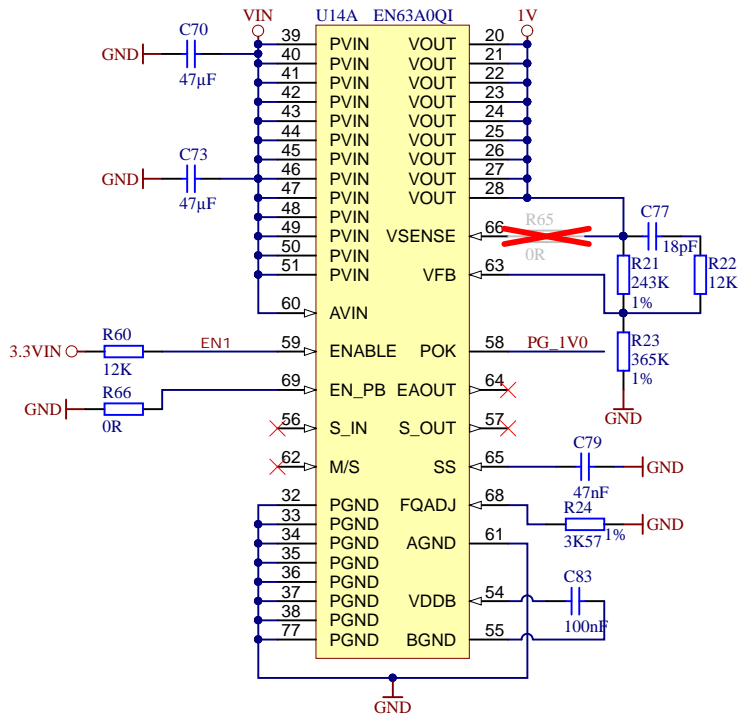
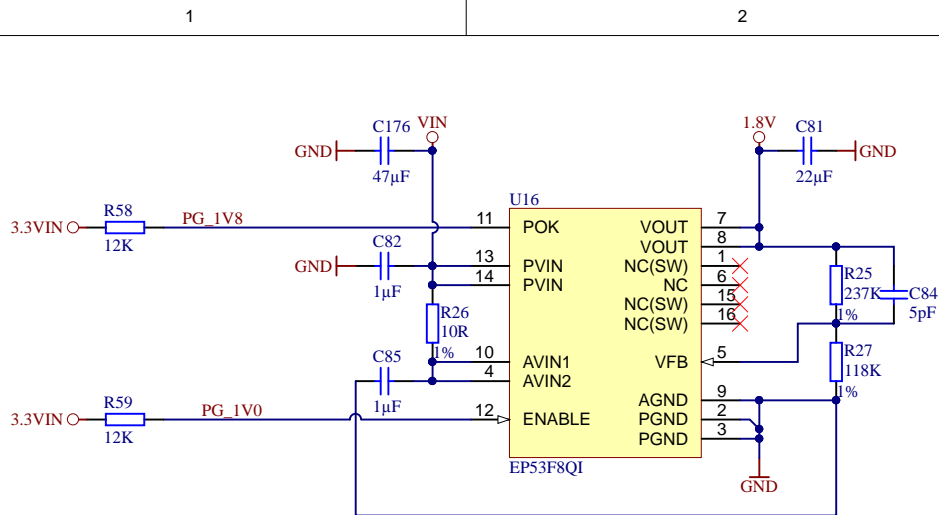
Title: CPLD		
A4	Number: TE0712 100_2C3	Rev. 02
Date: 2015-12-09	Copyright: Trenz Electronic GmbH	Page 14 of 16
Filename: CPLD.SchDoc		

1

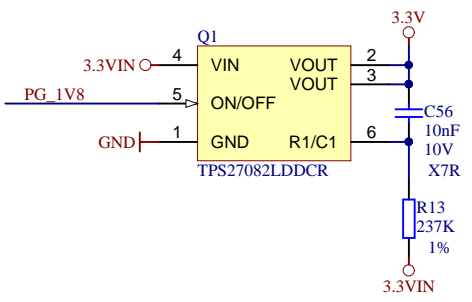
2

3

4



R65	R66	MODE	EN63A0QI
OK	X	-----	enable pre-bias start-up
X	OK	-----	disable pre-bias start-up



- VIN - TP1 - Testpoint 0.8mm
- 3.3VIN - TP4 - Testpoint 0.8mm
- 3.3V - TP7 - Testpoint 0.8mm
- 1.8V - TP10 - Testpoint 0.8mm
- 1.5V - TP13 - Testpoint 0.8mm
- VTTREF - TP3 - Testpoint 0.8mm
- 1V - TP2 - Testpoint 0.8mm
- 1.2V_MGT - TP5 - Testpoint 0.8mm
- VCCIO13 - TP8 - Testpoint 0.8mm
- VCCIO15 - TP11 - Testpoint 0.8mm
- VCCIO16 - TP14 - Testpoint 0.8mm
- GND - TP6 - Testpoint 0.8mm
- GND - TP9 - Testpoint 0.8mm
- GND - TP12 - Testpoint 0.8mm
- GND - TP15 - Testpoint 0.8mm



Title: PWR		
A4	Number: TE0712 100_2C3	Rev. 02
Date: 2015-12-09	Copyright: Trenz Electronic GmbH	Page 15 of 16
Filename: PWR1.SchDoc		

1

2

3

4

A

A

B

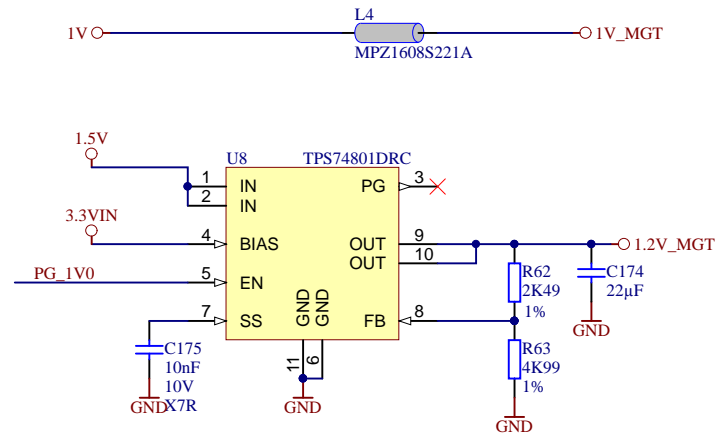
B


C

C

D

D



		Title: PWR	
		A4	Number: TE0712 100_2C3
Date: 2015-12-09		Copyright: Trenz Electronic GmbH	
Filename: PWR2.SchDoc		Page 16 of 16	

1

2

3

4