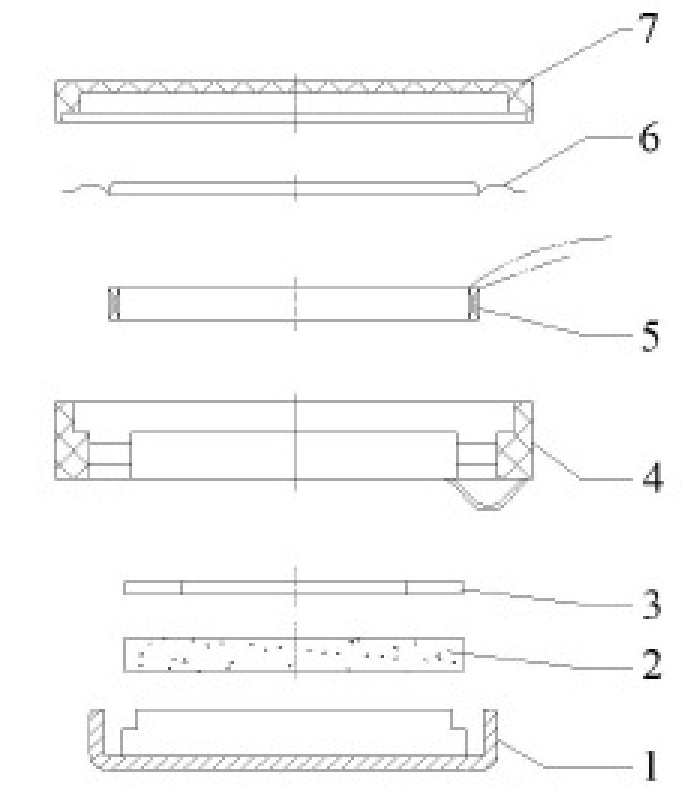
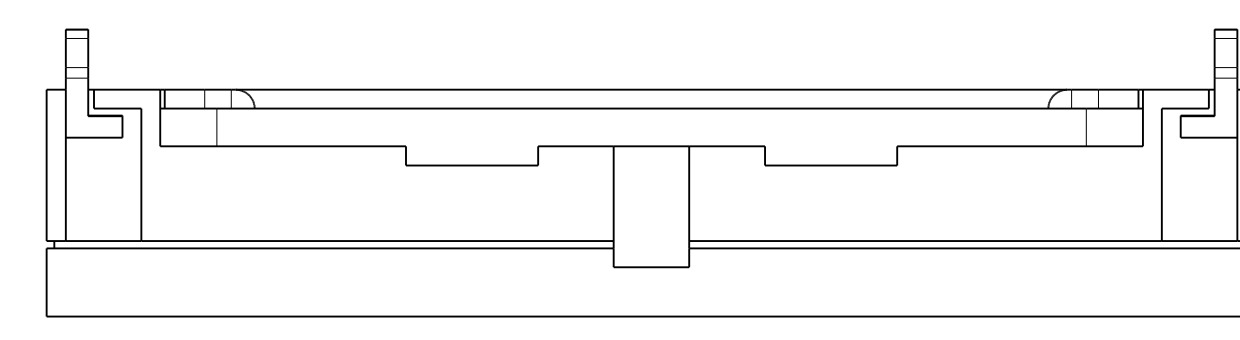
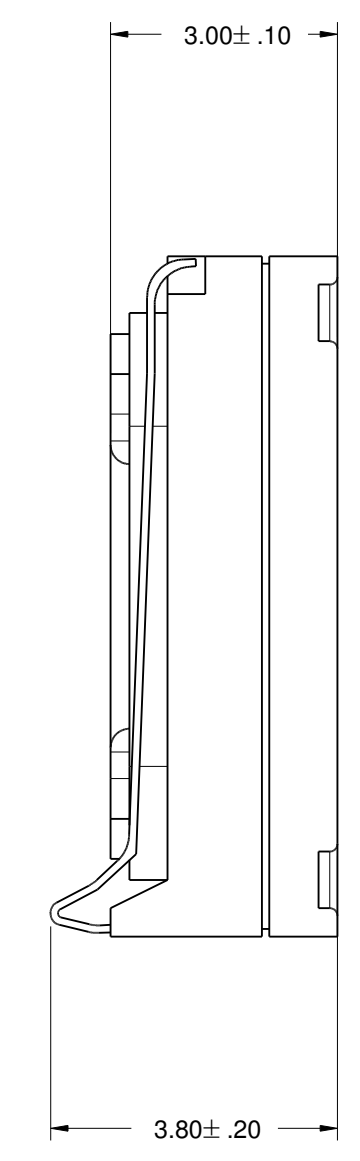
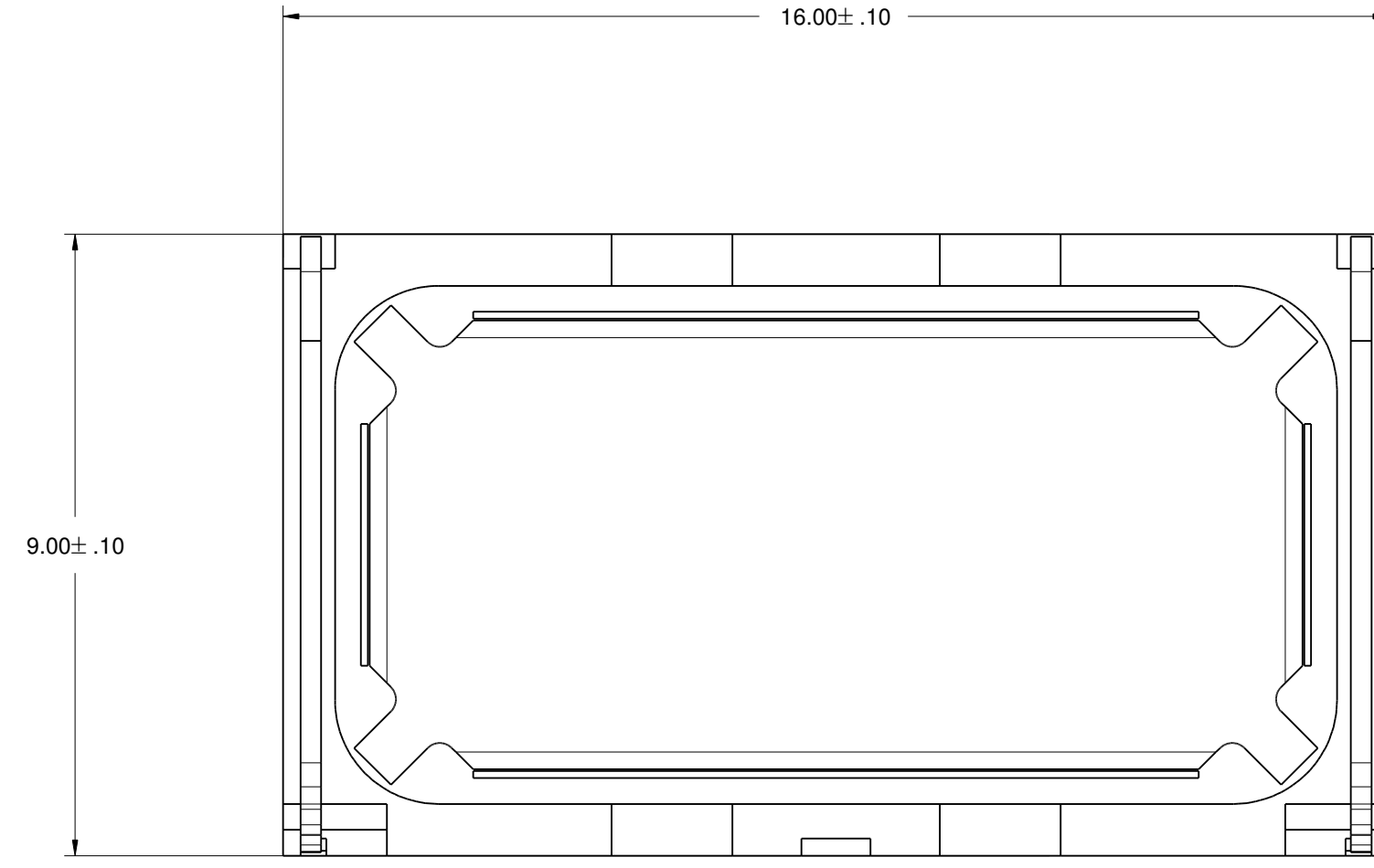
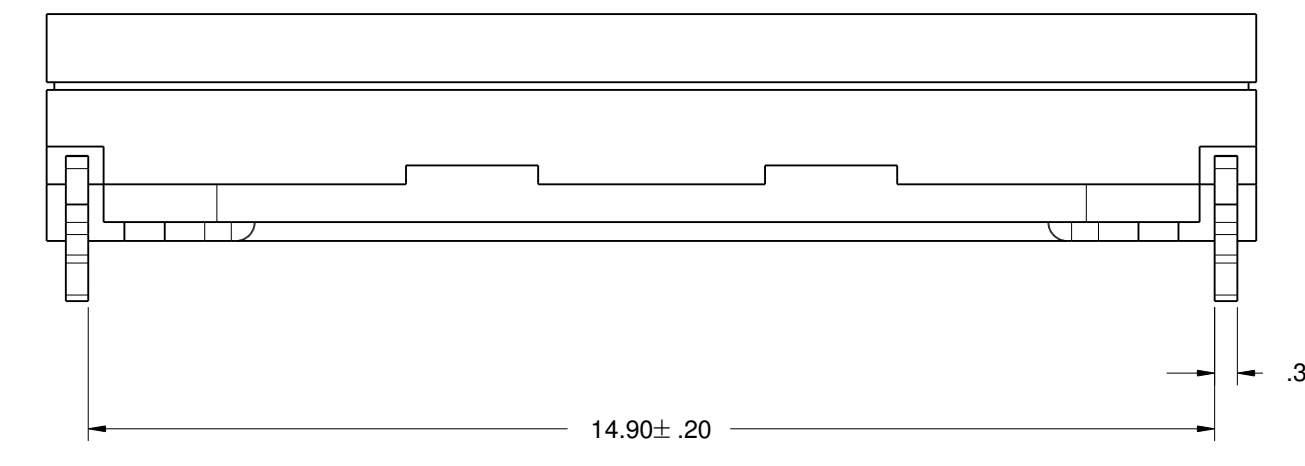
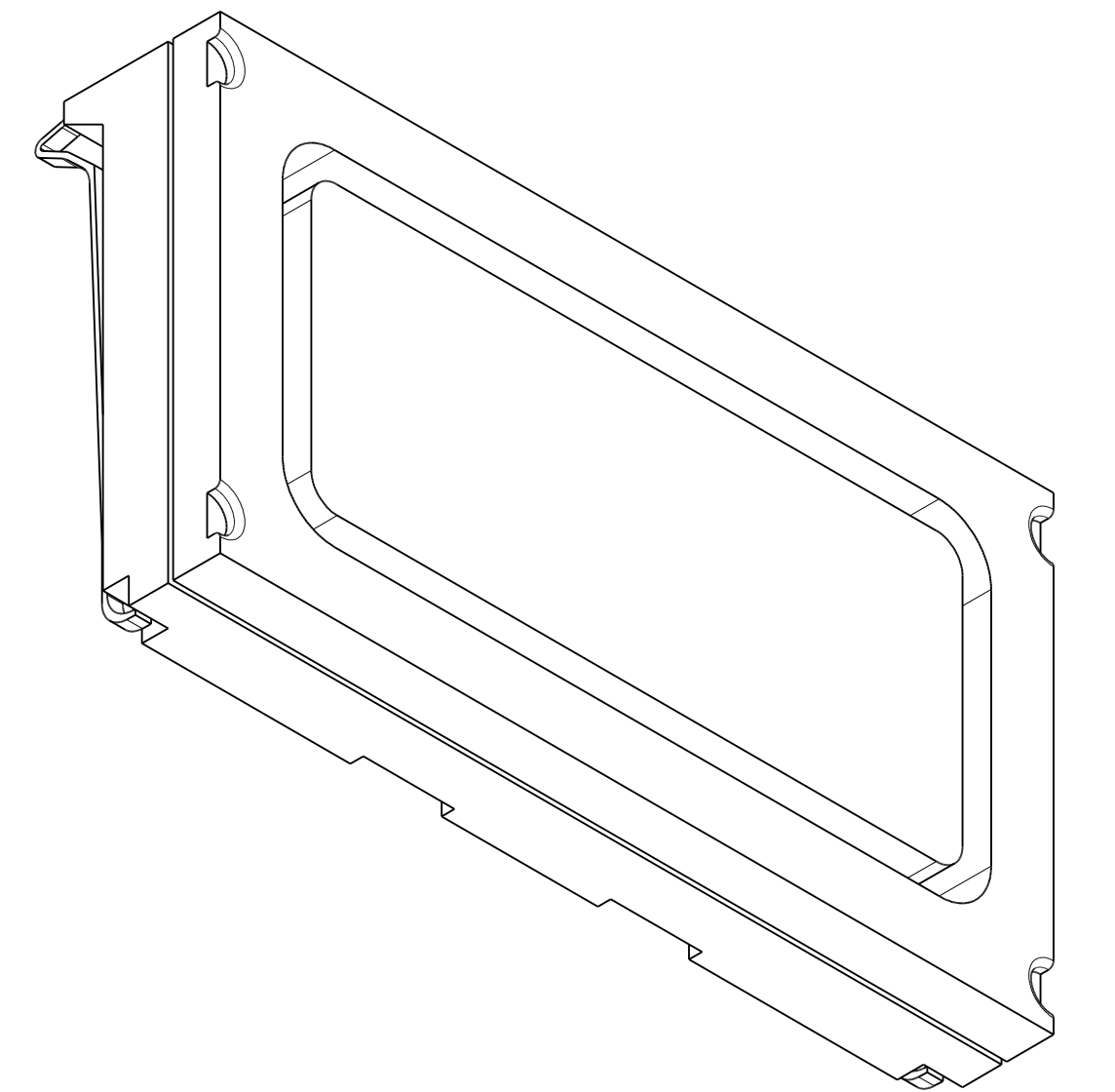
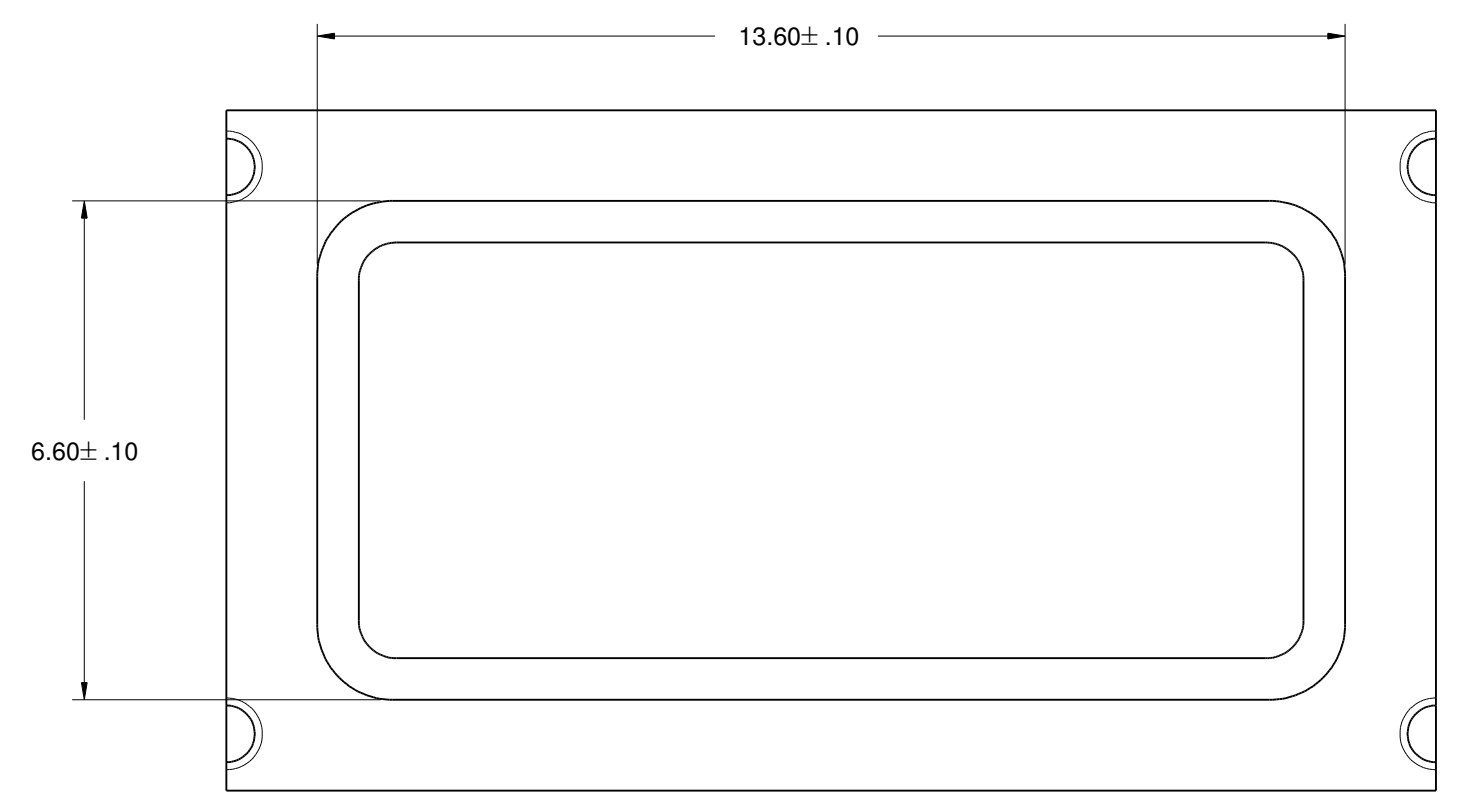
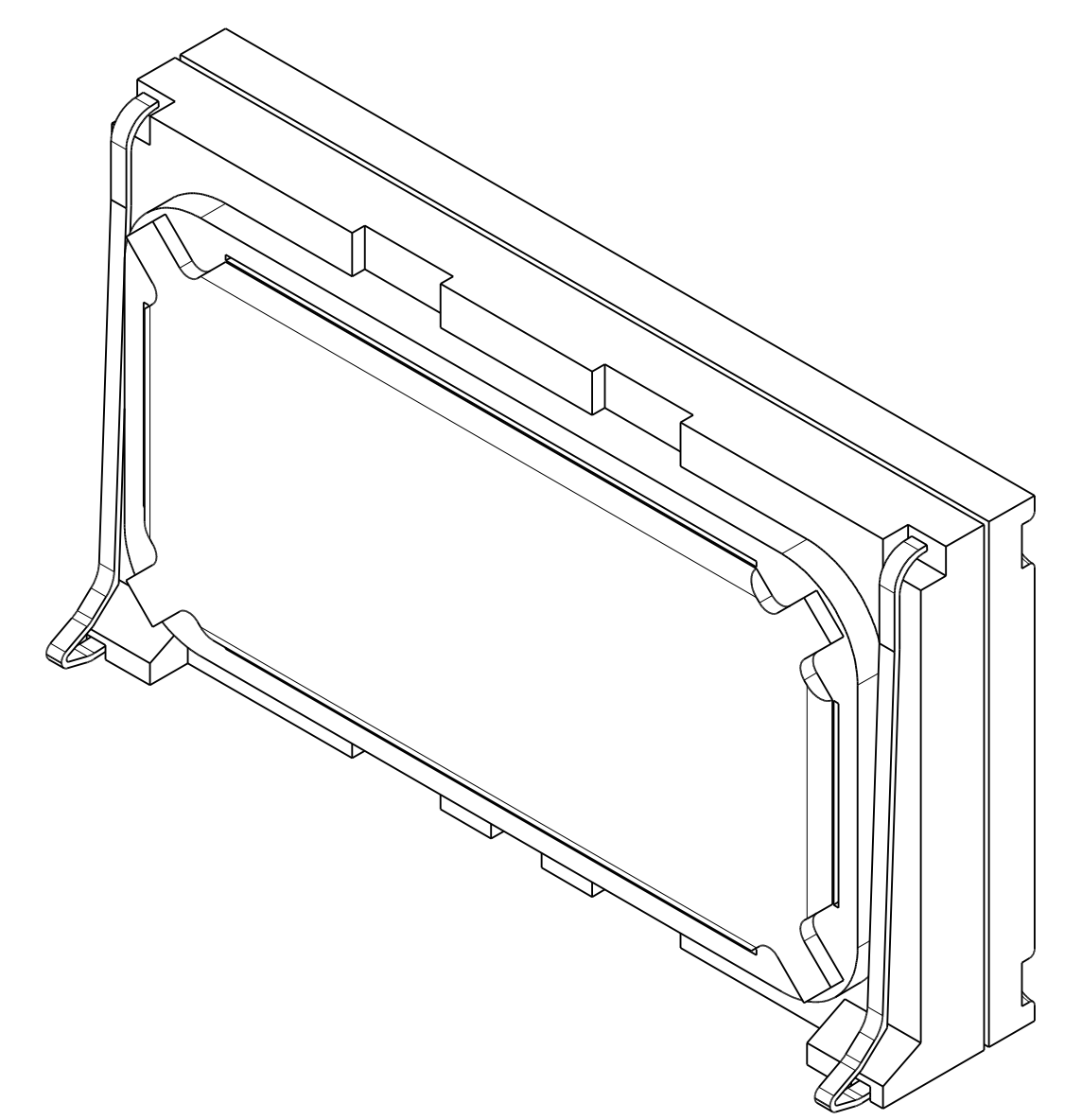


REVISIONS				
ZONE	REV	DESCRIPTION	DATE	APPROVED



No.	Part Name	Material	Quantity
1	U Yoke	SPCC	1
2	Magnet	Nd Fe B	1
3	Plate	SPCC	1
4	Frame + PIN	PPA+SUS	1
5	Voice Coil	Copper Wire	1
6	Diaphragm	PEEK	1
7	Cap	PPA	1



ALL TOLERANCES +/- .5MM UNLESS NOTED

SIZE D	FSCM NO.	DWG NO. WSPH-1609S	REV
SCALE 1:1	SHEET 1 OF 1		