

XB5S7B2L2

Biometric switch monostable RGPD, Harmony XB5S, plastic, 22mm, connection by 2m cable, 24V AC DC



Main

| | |
|-------------------------------|---------------------------------------------------------------|
| Product or Component Type | Biometric switch RGPD |
| Product Specific Application | Industrial machines Materials handling |
| Device short name | XB5S |
| Bezel material | Plastic |
| Mounting diameter | 0.87 in (22 mm) |
| Output Type | PNP |
| Sale per indivisible quantity | 1 |
| IP degree of protection | IP20 EN/IEC 60529 rear face) IP65 EN/IEC 60529 front face) |
| Type of operator | Momentary |
| Operator profile | Fingerprint reader |
| Connections - terminals | 1 pre-wired cable, 3 x 0.34 mm ² |
| Memory usage | 200 users with up to 2 fingerprints per user |

Complementary

| | |
|---------------------------|-------------------------------------------------------------------------------------------------------------------------------------------------------------------------------------------------------|
| Enclosure Material | Polyamide PA66 |
| Cable insulation material | PvR |
| Operating position | Horizontal position Flat surface installation Vertical surface installation |
| Function of module | Monostable |
| Net Weight | 0.37 lb(US) (0.17 kg) |
| Marking | CE |
| Local signalling | For output state indicator 1 LED (green) For administrator's registration mode 1 LED (orange) For operator's registration mode 1 LED (orange) For error 1 LED (red) For reset 1 LED (red) |
| Short-circuit protection | 250 mA external fuse gG |
| [Us] rated supply voltage | 24 V DC |
| Electrical connection | Free wire ends 3 6.56 ft (2 m) |
| Supply voltage limits | 20...30 V DC |
| Protection Type | Overload protection Short-circuit Reverse polarity |
| Maximum switching current | 200 mA |
| [Ures] residual voltage | 1 V closed state |
| Current consumption | <= 70 mA no-load |
| Maximum delay first up | 3 s + 0.5 ms per user registered |
| Maximum delay recovery | 1.5 s |
| Maximum delay response | 1.5 s |

The information provided in this documentation contains general descriptions and/or technical characteristics of the performance of the products contained herein. This documentation is not intended as a substitute for and is not to be used for determining suitability or reliability of these products for specific user applications. It is the duty of any such user or integrator to perform the appropriate and complete risk analysis, evaluation and testing of the products with respect to the relevant specific application or use thereof. Neither Schneider Electric Industries SAS nor any of its affiliates or subsidiaries shall be responsible or liable for misuse of the information contained herein.

Environment

| | |
|---------------------------------------|------------------------------------------------------------------|
| Range of Product | Harmony XB5S |
| Ambient Air Temperature for Storage | -13...158 °F (-25...70 °C) |
| Ambient Air Temperature for Operation | 23...122 °F (-5...50 °C) |
| NEMA degree of protection | NEMA 12 |
| Standards | IEC 61000-6-4 IEC 61000-6-2 |
| Product Certifications | UL CSA |
| Vibration resistance | +/- 3 mm 5...9 Hz)IEC 60068-2-6 1 gn 9...500 Hz)IEC 60068-2-6 |
| Shock resistance | 50 gn 11 ms IEC 60068-2-27 |

Ordering and shipping details

| | |
|-------------------|------------------------------------------|
| Category | 22471-BIOMETRIC PUSHBUTTON DO NOT NEGOT. |
| Discount Schedule | I |
| GTIN | 03606489824921 |
| Returnability | No |

Packing Units

| | |
|------------------------------|-------------------------|
| Unit Type of Package 1 | PCE |
| Number of Units in Package 1 | 1 |
| Package 1 Height | 2.56 in (6.5 cm) |
| Package 1 Width | 3.74 in (9.5 cm) |
| Package 1 Length | 7.28 in (18.5 cm) |
| Package 1 Weight | 6.98 oz (198.0 g) |
| Unit Type of Package 2 | S03 |
| Number of Units in Package 2 | 24 |
| Package 2 Height | 11.81 in (30.0 cm) |
| Package 2 Width | 11.81 in (30.0 cm) |
| Package 2 Length | 15.75 in (40.0 cm) |
| Package 2 Weight | 11.53 lb(US) (5.232 kg) |

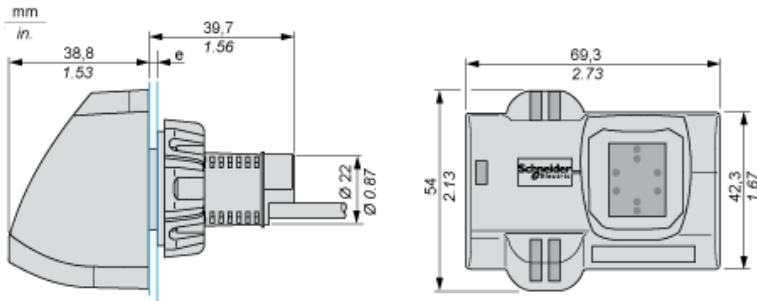
Offer Sustainability

| | |
|----------------------------|------------------------------------------------------------------------------------------------------------------------------|
| REACH Regulation | REACH Declaration |
| EU RoHS Directive | Compliant EU RoHS Declaration |
| Mercury free | Yes |
| RoHS exemption information | Yes |
| China RoHS Regulation | China RoHS Declaration |
| WEEE | The product must be disposed on European Union markets following specific waste collection and never end up in rubbish bins. |

Contractual warranty

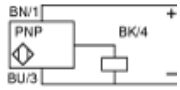
| | |
|----------|-----------|
| Warranty | 18 months |
|----------|-----------|

Dimensions of Biometric Switches



e: 1 to 6 mm / 0.04 to 0.24 in.

Cable with PNP Output



BU: Blue
BN: Brown
BK: Black