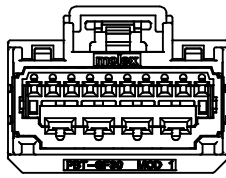
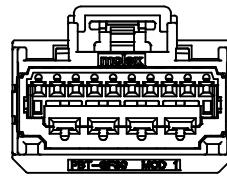


POLARIZATION OPTION "A"  
P/N: 34927-0140



POLARIZATION OPTION "B"  
P/N: 34927-0141



POLARIZATION OPTION "C"  
P/N: 34927-0142

MOLEX ASSEMBLY PART NO.'S	MATING COMPONENT	
	VERTICAL HEADER	RIGHT ANGLE HEADER
34927-0140	34772-0140	34773-0140
34927-0141	34772-0141	34773-0141
34927-0142	34772-0142	34773-0142

ITEM	DESCRIPTION	COLOR	MOLEX COMPONENTS PART NO.	RECYCLING CODE	WEIGHT	NO OF ITEMS REQUIRED	
1	FEMALE HOUSING POL A	BLACK	34927-3140	PBT-GF30	7.24g	1	
2	FEMALE HOUSING POL B	GRAY	34927-3141	PBT-GF30	7.24g		1
3	FEMALE HOUSING POL C	BROWN	34927-3142	PBT-GF30	7.24g		1
3	TPA	NATURAL	34927-1200	PBT-GF30	1.14g	1	1

ITEM	APPLICABLE COMPONENTS			APPLICABLE WIRE SIZE	
	DESCRIPTION	TYPE	SUPPLIER COMPONENTS PART NO.	WIRE GAGE	MAXIMUM INSULATION DIAMETER
1	TYCO 0.64 TERMINAL	Sn	1456574-1	20/22 AWG	1.85 mm
2		Sn	1456574-2	18 AWG	2.06 mm
3		Sn	1326030-4	10/12 AWG	4.04 mm
4	TYCO 2.8 TERMINAL	Sn	1326030-3	14/16 AWG	2.69 mm
5		Sn	1326030-2	18/20 AWG	2.06 mm
6		Sn	1326030-1	22 AWG	1.65 mm
7	YAZAKI 2.8 TERMINAL	Sn	7116-4112-02	14 AWG	2.69mm
8		Sn	7116-4111-02	16/18 AWG	2.34mm
9		Sn	7116-4110-02	20/22 AWG	1.85mm



ISOMETRIC VIEWS  
SCALE 1:1  
(POLARITY A SHOWN)

NOTES: VALID UNLESS OTHERWISE SPECIFIED

1. GENERAL:

- a. APPLICATION SPECIFICATION SEE: AS-34729-020
- b. PRODUCT SPECIFICATION SEE: PS-34969-100
- c. PACKAGING SPECIFICATION PER MOLEX DRAWING: PK-31301-211
- d. PARTS MUST BE IN COMPLIANCE TO MOLEX CHEMICAL SUBSTANCES FOR PRODUCTS AND PACKAGING SPECIFICATION: PS-40000-5015
- e. DATA MUST BE SUBMITTED UNDER THE MOLEX PART NUMBER TO IMDS (COMPANY ID#13255)

2. DESIGN - MATERIALS:

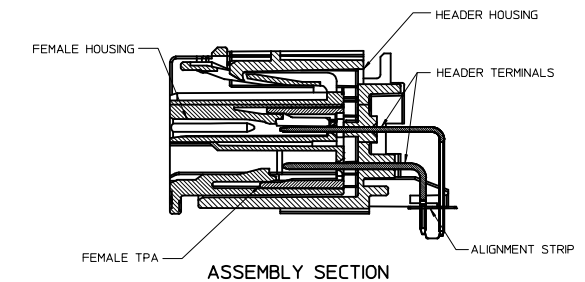
- a. SEE BOM TABLE

3. DESIGN - GEOMETRY:

- a. THIS IS A 100% CAD GENERATED PART. THE CAD MATHEMATICAL DATA IS THE MASTER FOR THIS PART. FOR DIMENSIONAL OR ANY INFORMATION NOT SHOWN ON THIS DRAWING, ANALYZE THE CAD MODEL.
- b. GEOMETRIC DIMENSIONS AND TOLERANCES PER ASME Y14.5M - 1994
- c. EDGES AND UNDIMENSIONED DETAILS PER ISO13715
- d. CORNERS SHOWN AS SHARP TO BE R 0.2 MAX.
- e. LETTERING SHALL BE 0.15 MAX RAISED IN 0.25 MAX RECESS PAD. THIS INCLUDES RECYCLING CODE, CAVITY ID, VENDOR IDENTIFICATION, AND CUSTOMER MATERIAL NUMBER.
- f. VISUAL DEFECTS SHALL MEET COSMETIC STANDARD PS-45499-002 (Class B)

4. DESIGN - MANUFACTURING:

- a. TPAs MAY BECOME SEATED DURING TRANSIT. IF THIS OCCURS, REFERENCE MOLEX PRODUCT SPECIFICATION PS-34646-001

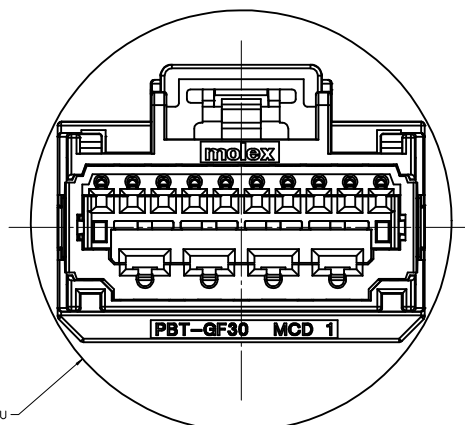
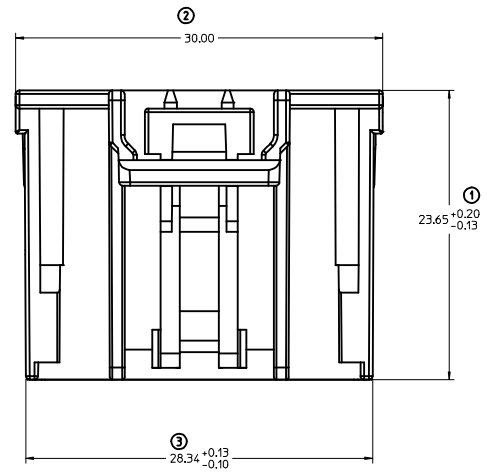


ASSEMBLY SECTION

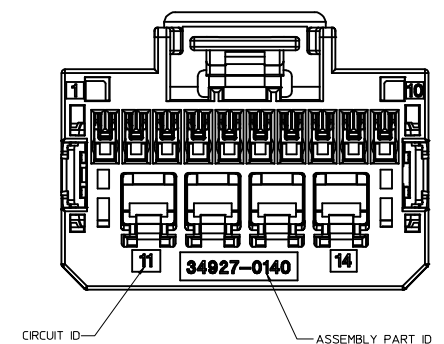
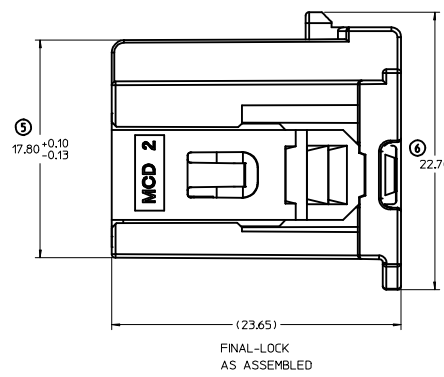
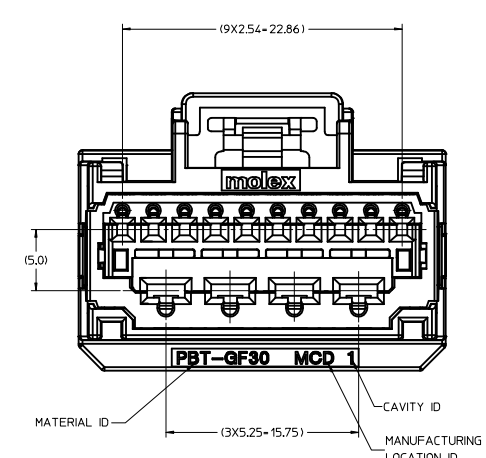
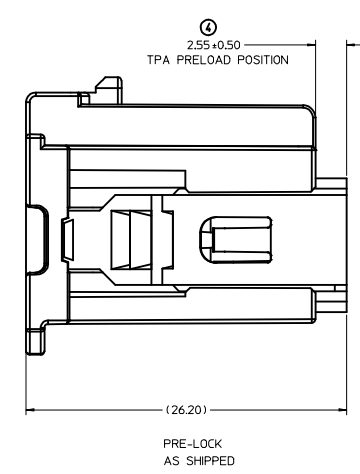
INITIAL RELEASE DEC NO: UAU2016-1509 DRAWN: FISCHER01 2016/04/13 CHYK: APPROVAL: JUAN 2016/04/14 DESCRIPTION:	QUALITY SYMBOLS ∇=0 ∇=0 ∇=0		GENERAL TOLERANCES (UNLESS SPECIFIED): DIMENSION STYLE: MM ONLY SCALE: 3:1 DESIGN UNITS: METRIC THIRD ANGLE PROJECTION		DRAWN BY: LSONG05 DATE: 2012/02/20 CHECKED BY: TITAN DATE: 2012/02/16 APPROVED BY: SMARCEAU DATE: 2012/03/12		TITLE: 14 CKT HYBRID GEN Y RECEPTACLE MOLEX INCORPORATED DOCUMENT NO: SD-34927-010 SHEET NO: 1 OF 2	
	DRAFT WHERE APPLICABLE MUST REMAIN WITHIN DIMENSIONS		MATERIAL NO: SEE TABLE		THIS DRAWING CONTAINS INFORMATION THAT IS PROPRIETARY TO MOLEX INCORPORATED AND SHOULD NOT BE USED WITHOUT WRITTEN PERMISSION			
	SIZE: A4		DIMENSIONAL TOLERANCES:		ANGULAR ± 3°			
	DIMENSIONAL TOLERANCES:		DIMENSIONAL TOLERANCES:		DIMENSIONAL TOLERANCES:			

20 19 18 17 16 15 14 13 12 11 10 9 8 7 6 5 4 3 2 1

M  
L  
K  
J  
I  
H  
G  
F  
E  
D  
C  
B  
A

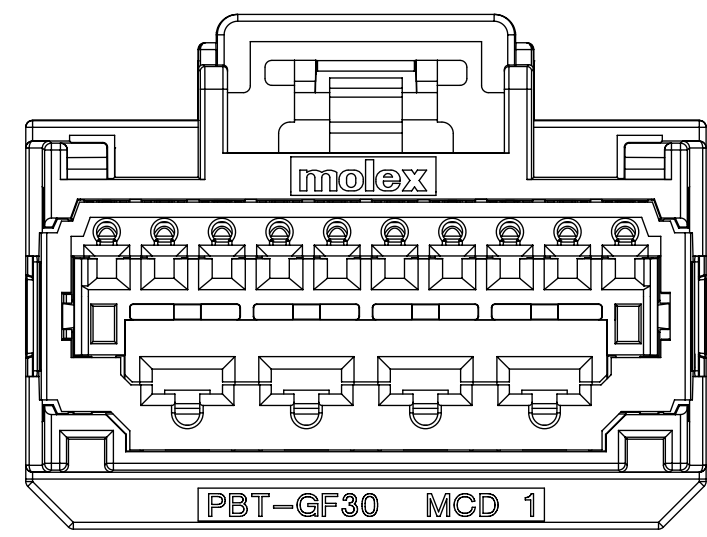


( $\varnothing 35.38$ ) PASS-THRU  
WITH +1.0 PER SIDE

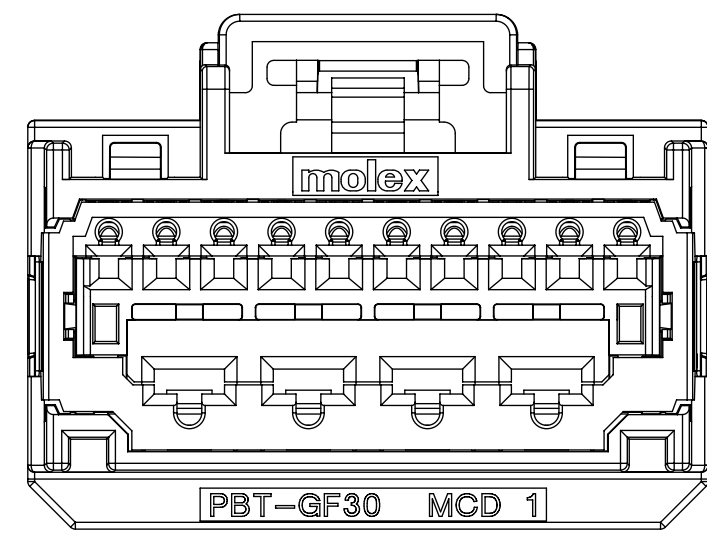


<b>SEE SHEET 1</b> IEC NO. UAU2016-1509 DRAWN/FISCHER01 2016/04/13 CHKD: APPR:BRALMAN 2016/04/14 REV DESCRIPTION	QUALITY SYMBOLS	GENERAL TOLERANCES (UNLESS SPECIFIED)	DIMENSION STYLE	SCALE	DESIGN UNITS	THIRD ANGLE PROJECTION
	$\nabla=0$ $\nabla=0$ $\nabla=0$	mm INCH 4 PLACES $\pm$ --- $\pm$ --- 3 PLACES $\pm$ --- $\pm$ --- 2 PLACES $\pm 0.13$ $\pm$ --- 1 PLACE $\pm 0.25$ $\pm$ --- ANGULAR $\pm 3^\circ$	MM ONLY	5:1	METRIC	
	DRAWN BY SONG05 CHECKED BY TITAN APPROVED BY SMARCEAU	DATE 2012/02/20 DATE 2012/02/16 DATE 2012/03/12	TITLE			14 CKT HYBRID GEN Y RECEPTACLE
	MATERIAL NO. SD-34927-010 SIZE D THIS DRAWING CONTAINS INFORMATION THAT IS PROPRIETARY TO MOLEX INCORPORATED AND SHOULD NOT BE USED WITHOUT WRITTEN PERMISSION	SHEET NO. 2 OF 2	MOLEX INCORPORATED	DOCUMENT NO. SD-34927-010		

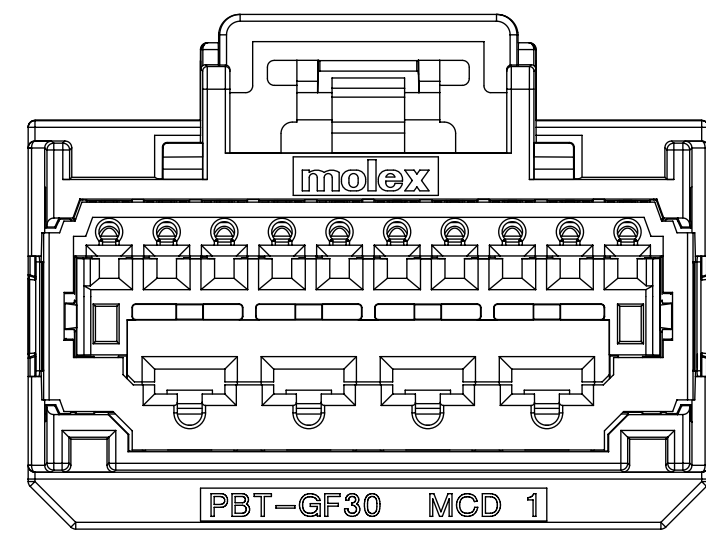
19 18 17 16 15 14 13 12 11 10 9 8 7 6 5 4 3 2 1



POLARIZATION OPTION "A"  
P/N: 34969-0140



POLARIZATION OPTION "B"  
P/N: 34969-0141

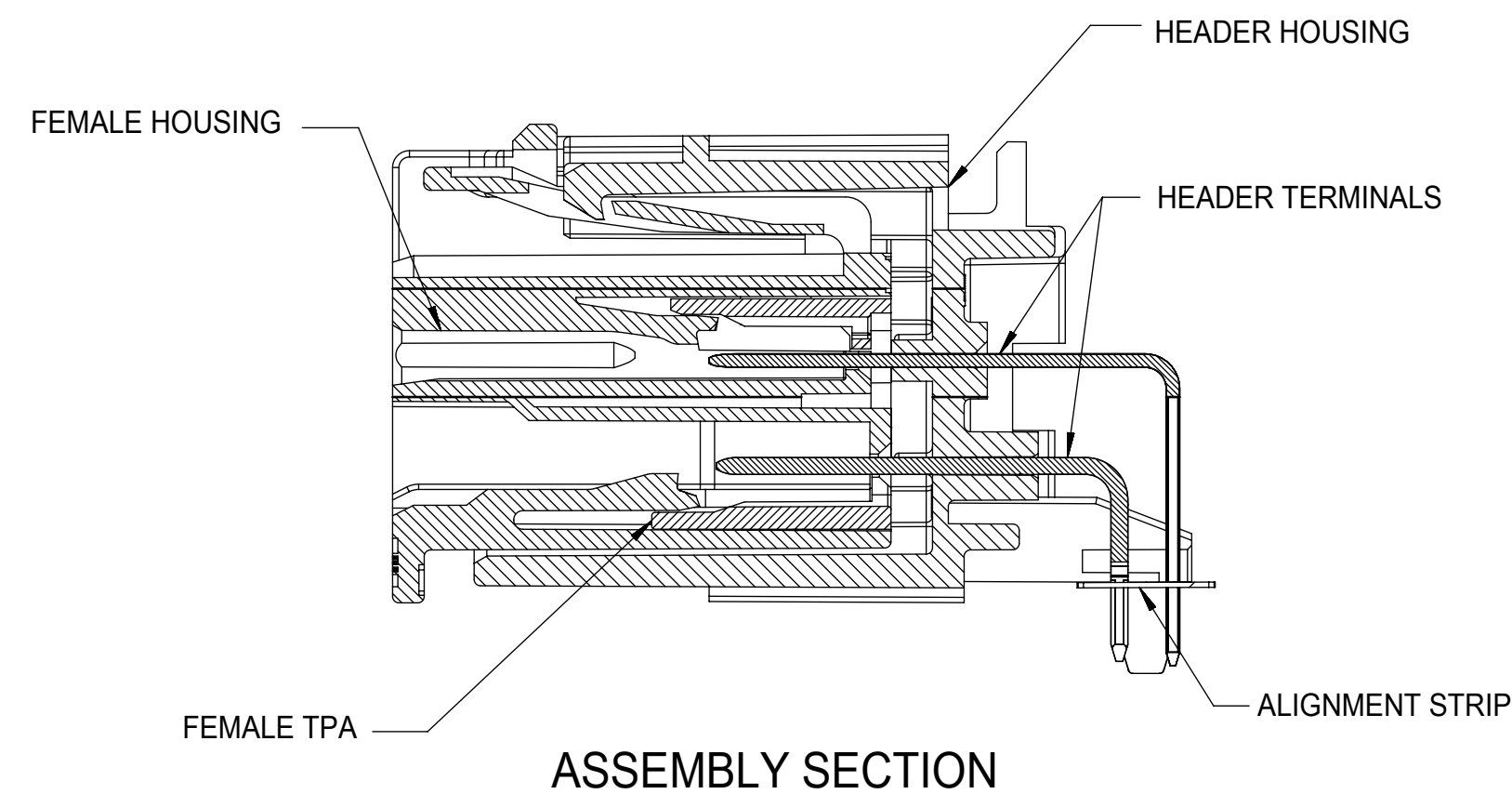


POLARIZATION OPTION "C"  
P/N: 34969-0142

MOLEX ASSEMBLY PART NO.'S	MATING COMPONENT	
	VERTICAL HEADER	RIGHT ANGLE HEADER
34969-0140	34772-0140	34773-0140
34969-0141	34772-0141	34773-0141
34969-0142	34772-0142	34773-0142

ITEM	DESCRIPTION	COLOR	MOLEX COMPONENTS PART NO.	RECYCLING CODE	WEIGHT	NO OF ITEMS REQUIRED	
1	FEMALE HOUSING POL A	BLACK	34969-3140	PBT-GF30	7.24g	1	
2	FEMALE HOUSING POL B	GRAY	34969-3141	PBT-GF30	7.24g		1
3	FEMALE HOUSING POL C	BROWN	34969-3142	PBT-GF30	7.24g		1
3	TPA	NATURAL	34927-1200	PBT-GF30	1.14g	1	1

ITEM	APPLICABLE COMPONENTS			APPLICABLE WIRE SIZE		PAYOFF
	DESCRIPTION	TYPE	SUPPLIER COMPONENTS PART NO.	WIRE GAGE	MAXIMUM INSULATION DIAMETER	DIRECTION
1	MOLEX CTX64 TERMINAL	Sn	34803-3212	20 AWG	1.90 mm	LEFT
2		Sn	34803-3211	22 AWG	1.65 mm	LEFT
3		Sn	34803-3214	20 AWG	1.90 mm	RIGHT
4		Sn	34803-3213	22 AWG	1.65 mm	RIGHT
5	TYCO 2.8 TERMINAL	Sn	1326030-4	10/12 AWG	4.04 mm	\
6		Sn	1326030-3	14/16 AWG	2.69 mm	\
7		Sn	1326030-2	18/20 AWG	2.06 mm	\
8	TYCO 2.8 TERMINAL	Sn	1326030-1	22 AWG	1.65 mm	\
9		Sn	7116-4112-02	14 AWG	2.69 mm	\
10		Sn	7116-4111-02	16/18 AWG	2.34 mm	\
11		Sn	7116-4110-02	20/22 AWG	1.85 mm	\



NOTES: VALID UNLESS OTHERWISE SPECIFIED

1. GENERAL:

- a. APPLICATION SPECIFICATION SEE: AS-34729-010
- b. PRODUCT SPECIFICATION SEE: PS-34969-100
- c. PACKAGING SPECIFICATION PER MOLEX DRAWING: PK-31301-211
- d. PARTS MUST BE IN COMPLIANCE TO MOLEX CHEMICAL SUBSTANCES FOR PRODUCTS AND PACKAGING SPECIFICATION: PS-40000-5015
- e. DATA MUST BE SUBMITTED UNDER THE MOLEX PART NUMBER TO IMDS (COMPANY ID#13255)

2. DESIGN - MATERIALS:

- a. SEE BOM TABLE

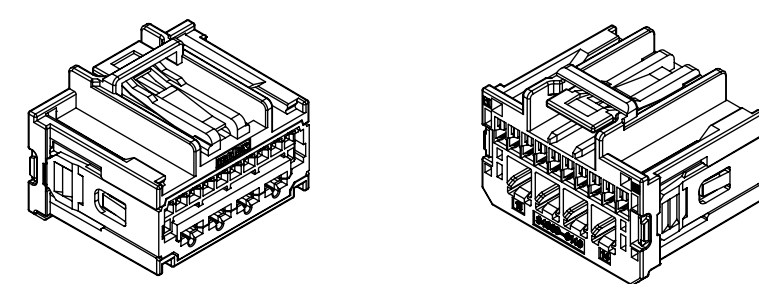
3. DESIGN - GEOMETRY:

- a. THIS IS A 100% CAD GENERATED PART. THE CAD MATHEMATICAL DATA IS THE MASTER FOR THIS PART. FOR DIMENSIONAL OR ANY INFORMATION NOT SHOWN ON THIS DRAWING, ANALYZE THE CAD MODEL.
- b. GEOMETRIC DIMENSIONS AND TOLERANCES PER ASME Y14.5M - 1994
- c. EDGES AND UNDIMENSIONED DETAILS PER ISO13715
- d. CORNERS SHOWN AS SHARP TO BE R 0.2 MAX.
- e. LETTERING SHALL BE 0.15 MAX RAISED IN 0.25 MAX RECESS PAD. THIS INCLUDES RECYCLING CODE, CAVITY ID, VENDOR IDENTIFICATION, AND CUSTOMER MATERIAL NUMBER.
- f. VISUAL DEFECTS SHALL MEET COSMETIC STANDARD PS-45499-002 (Class B)

4. DESIGN - MANUFACTURING:

- a. TPAs MAY BECOME SEATED DURING TRANSIT. IF THIS OCCURS, REFERENCE MOLEX PRODUCT SPECIFICATION PS-34646-001

A2	CORRECTED CTX64 TERMINAL PNs : 34803-3212 WAS 34803-0212 34803-3211 WAS 34803-0211 34803-3214 WAS 34803-0214 34803-3213 WAS 34803-0213 17-Feb-2020 YPENG47
REV.	REV DESCRIPTION



ISOMETRIC VIEWS  
SCALE 1:1  
(POLARITY A SHOWN)

INSPECTION BALLOON NUMBER LOG	
PER DRAWING REVISION:	A2
LAST BALLOON NUMBER USED:	6
ADDED BALLOON NUMBERS:	
REMOVED BALLOON NUMBERS:	

SYMBOLS	THIS DRAWING CONTAINS INFORMATION THAT IS PROPRIETARY TO MOLEX ELECTRONIC TECHNOLOGIES, LLC AND SHOULD NOT BE USED WITHOUT WRITTEN PERMISSION	CURRENT REV DESC: SEE REV DESCRIPTION A2				
	DIMENSION UNITS: mm					SCALE: 3:1
▽ = 0	GENERAL TOLERANCES (UNLESS SPECIFIED)	EC NO: 630844 DRWN: YPENG47 2019/08/26 CHK'D: CZHANG118 2020/01/09 APPR: CDZHANG 2020/02/27	<b>14 CKT HYBRID CTX 0.64 AND GENY 2.80 RECEPTACLE</b>			
▽ = 0	ANGULAR TOL ± 3.0°					
▽ = 0	4 PLACES ±	INITIAL REVISION: DRWN: CYMA 2012/10/30 APPR: RBAUMAN 2013/01/04	<b>PRODUCT CUSTOMER DRAWING</b>			
▽ = 0	3 PLACES ±					
▽ = 0	2 PLACES ± 0.13	<b>SD-34969-010</b>	DOCUMENT NUMBER	DOC TYPE	DOC PART	REVISION
▽ = 0	1 PLACE ± 0.25		PSD	001	A2	
⊠ = 0	0 PLACES ±	<b>GENERAL MARKET</b>	MATERIAL NUMBER	CUSTOMER	SHEET NUMBER	
■ = 0	DRAFT WHERE APPLICABLE MUST REMAIN WITHIN DIMENSIONS		D-DRAWING	34969		1 OF 2

