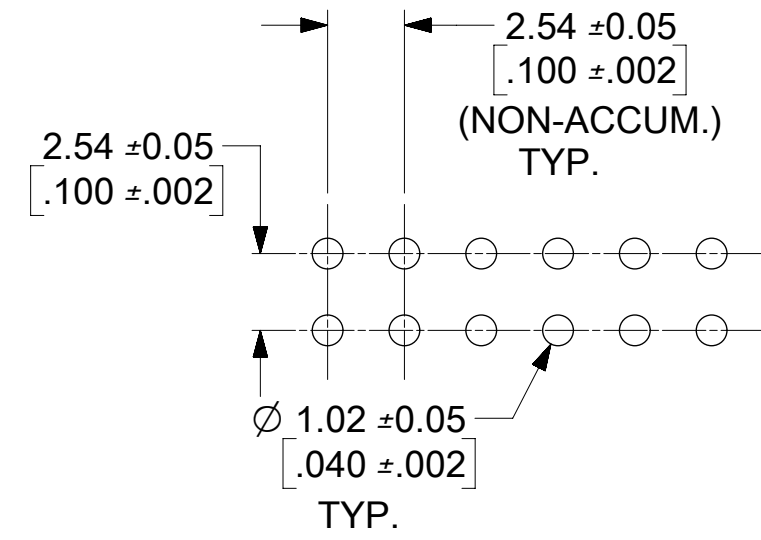
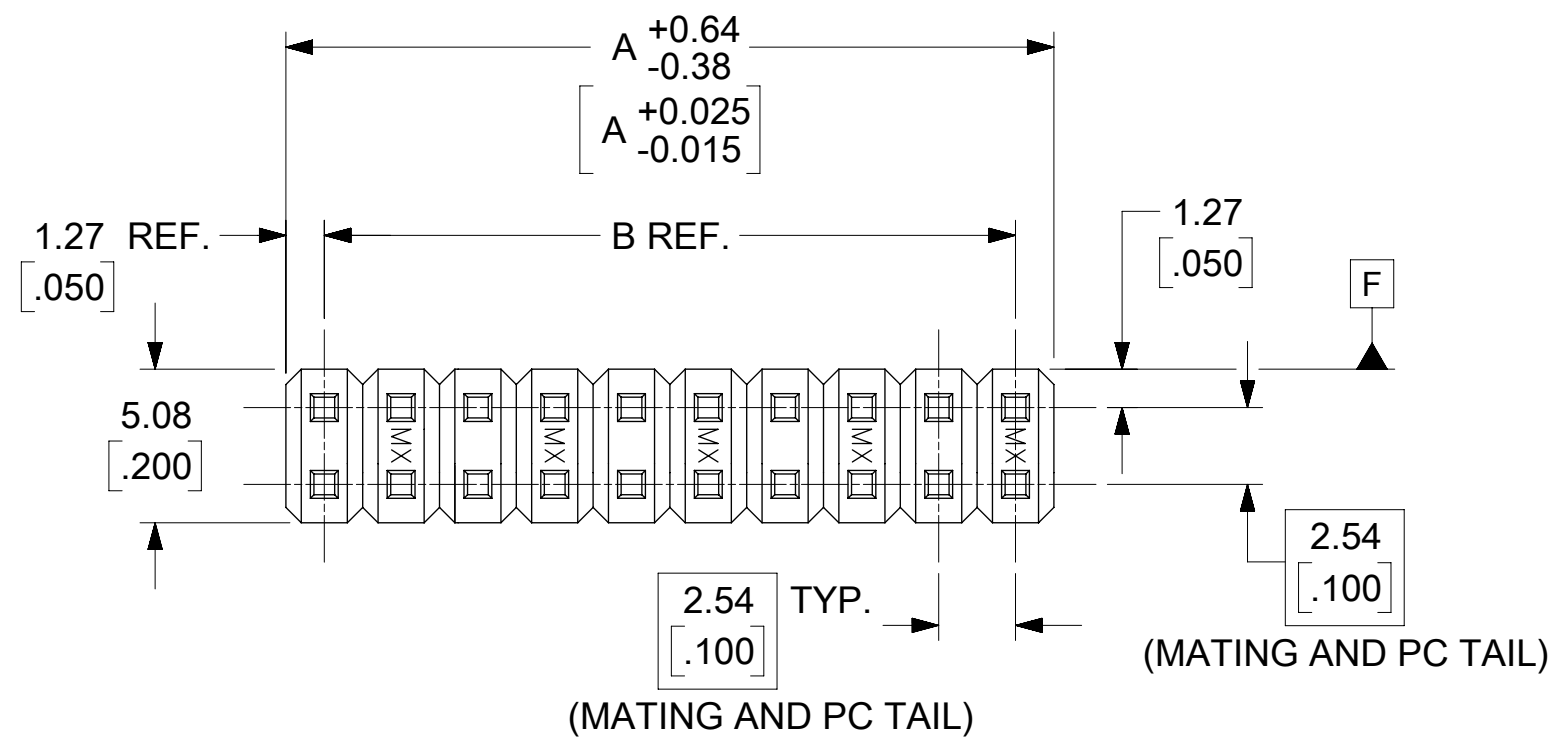
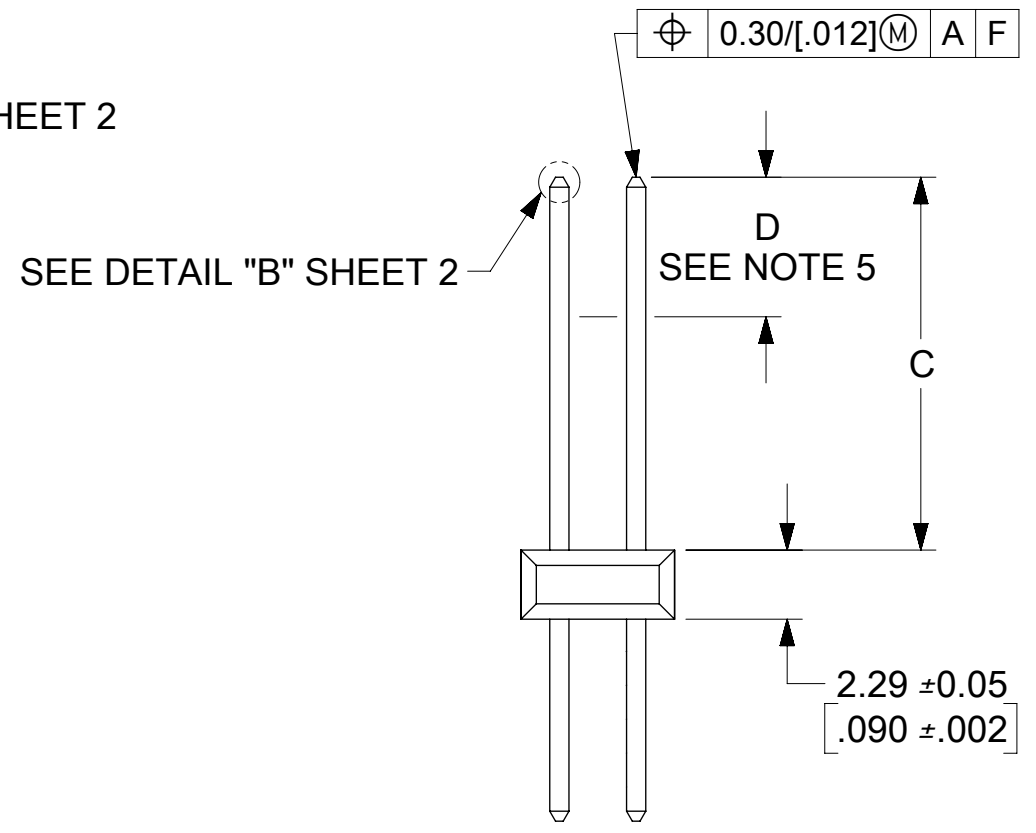
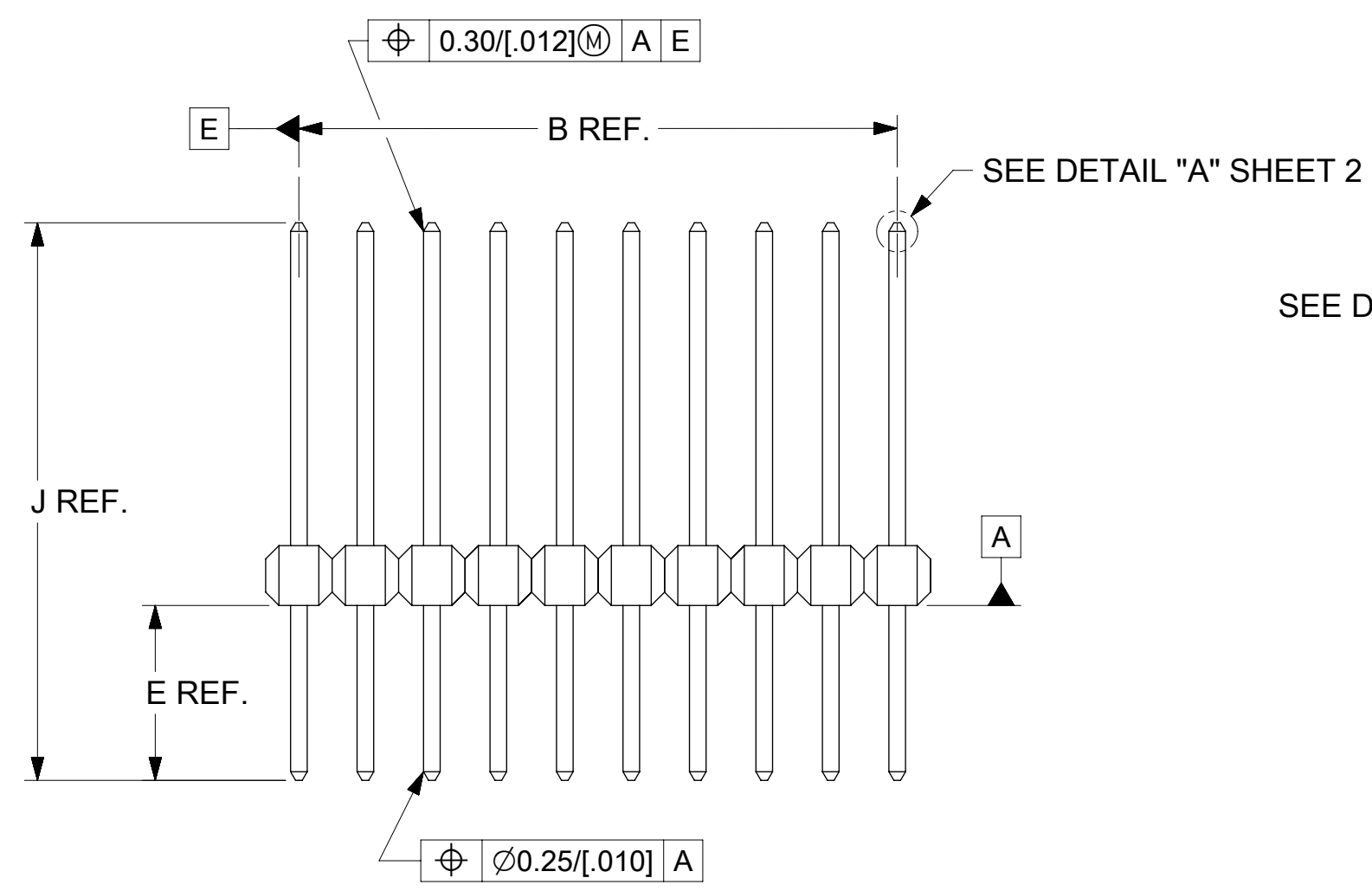


CKT. SIZE	DIM. A REF.		DIM. B	
	MM	INCH	MM	INCH
4	5.08	.200	2.54	.100
6	7.62	.300	5.08	.200
8	10.16	.400	7.62	.300
10	12.70	.500	10.16	.400
12	15.24	.600	12.70	.500
14	17.78	.700	15.24	.600
16	20.32	.800	17.78	.700
18	22.86	.900	20.32	.800
20	25.40	1.000	22.86	.900
22	27.94	1.100	25.40	1.000
24	30.48	1.200	27.94	1.100
26	33.02	1.300	30.48	1.200
28	35.56	1.400	33.02	1.300
30	38.10	1.500	35.56	1.400
32	40.64	1.600	38.10	1.500
34	43.18	1.700	40.64	1.600
36	45.72	1.800	43.18	1.700
38	48.26	1.900	45.72	1.800
40	50.80	2.000	48.26	1.900
42	53.34	2.100	50.80	2.000
44	55.88	2.200	53.34	2.100
46	58.42	2.300	55.88	2.200
48	60.96	2.400	58.42	2.300
50	63.50	2.500	60.96	2.400
52	66.04	2.600	63.50	2.500
54	68.58	2.700	66.04	2.600
56	71.12	2.800	68.58	2.700
58	73.66	2.900	71.12	2.800
60	76.20	3.000	73.66	2.900
62	78.74	3.100	76.20	3.000
64	81.28	3.200	78.74	3.100
66	83.82	3.300	81.28	3.200
68	86.36	3.400	83.82	3.300
70	88.90	3.500	86.36	3.400
72	91.44	3.600	88.90	3.500
74	93.98	3.700	91.44	3.600
76	96.52	3.800	93.98	3.700
78	99.06	3.900	96.52	3.800
80	101.06	4.000	99.06	3.900
82	104.14	4.100	101.06	4.000
84	106.68	4.200	104.14	4.100
86	109.22	4.300	106.68	4.200
88	111.76	4.400	109.22	4.300
90	114.30	4.500	111.76	4.400
92	116.84	4.600	114.30	4.500
94	119.38	4.700	116.84	4.600
96	121.92	4.800	119.38	4.700
98	124.46	4.900	121.92	4.800
100	127.00	5.000	124.46	4.900



RECOMMENDED P.C. BOARD HOLE LAYOUT

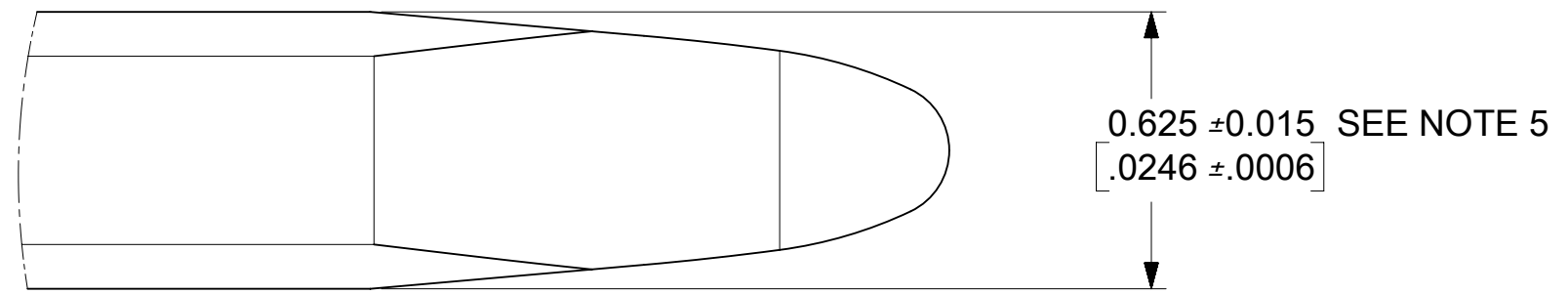


NOTES:

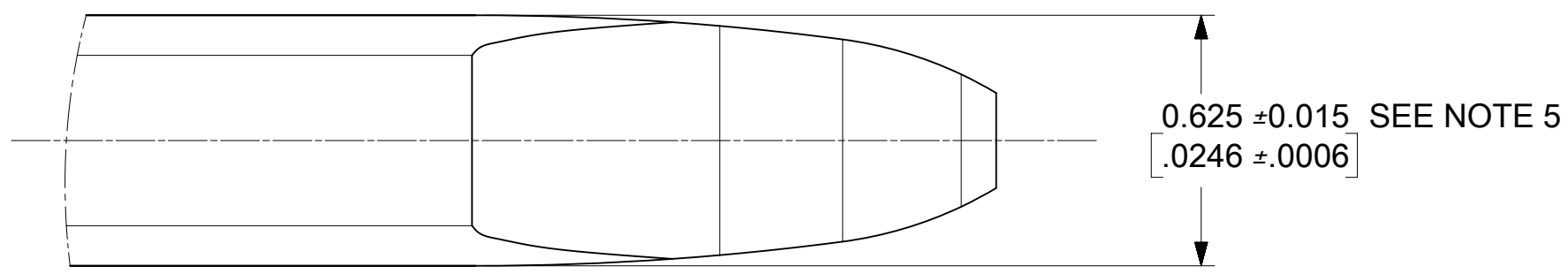
- MATERIAL: WAFER- GLASS FILLED LCP (LIQUID CRYSTAL POLYMER), UL 94V-0, COLOR: BLACK  
PIN- COPPER ALLOY
- FINISH: (BRIGHT TIN) 0.00381/[.000150] MINIMUM TIN PLATE OVER NICKEL UNDERPLATE
- PRODUCT SPECIFICATION: PS-70280
- PACKAGING INFORMATION: PACKAGE IN TUBES PER PK-70873-0276 UNLESS OTHERWISE NOTED IN TABLES.
- DIMENSION D IS THE MEASURE POINT FOR PLATING THICKNESS AND PIN WIDTH.
- WAFER TO BE FLAT WITHIN 0.003 MM/MM OR [.003 IN./IN].
- PIN DIMENSION SHOULD BE SYMMETRICAL WITHIN TOLERANCE SHOWN.
- ALL PIN TIPS AND EDGES MAY BE RADIUS - R 0.127/[.005] MAXIMUM.
- NO BURRS ON TIPS OR PIN EDGES.
- ALL PIN DIMENSIONS INCLUDE PLATING.

- PIN PUSHOUT FORCE 3 LBS. MINIMUM (IN EITHER DIRECTION)
- FOR ILLUSTRATION PURPOSES, 20 (DUAL 10) CIRCUIT SIZE SHOWN.
- PINS MUST MEET SOLDERABILITY SPECIFICATION SMES-152. VOIDS PERMISSIBLE AT BANDOLIER FAYING SURFACE. (APPROXIMATELY 0.64/[.025] LNG X 0.15/[.006] WIDE REF.) - 2 LOCATIONS.
- THIS PART CONFORMS TO CLASS B REQUIREMENTS OF COSMETIC SPECIFICATION PS-45499-002.

THIS DRAWING CONTAINS INFORMATION THAT IS PROPRIETARY TO MOLEX ELECTRONIC TECHNOLOGIES, LLC AND SHOULD NOT BE USED WITHOUT WRITTEN PERMISSION									
DIMENSION UNITS		SCALE		CURRENT REV DESC: MIGRATED TO NX					
MM/INCH		4:1							
GENERAL TOLERANCES (UNLESS SPECIFIED)									
4 PLACES		±	±	EC NO: 613447 DRWN: ABABU01 2019/03/01 CHK'D: NMANE02 2019/03/11 APPR: MRAMAKRISHNA 2019/03/11					
3 PLACES		±	± 0.005						
2 PLACES		± 0.13	± 0.01	PRODUCT CUSTOMER DRAWING DOCUMENT NUMBER: SD-70280-001 DOC TYPE: PSD DOC PART: 001 REVISION: D3					
1 PLACE		± 0.25	±						
0 PLACES		±	±	INITIAL REVISION: DRWN: BSMART 2005/01/19 APPR: SMILLER 2005/01/19					
ANGULAR TOL		± 0.5 °							
DRAFT WHERE APPLICABLE MUST REMAIN WITHIN DIMENSIONS		THIRD ANGLE PROJECTION		DRAWING		SERIES		MATERIAL NUMBER	
				C-SIZE		70280		SEE TABLE	
				GENERAL MARKET		CUSTOMER		SHEET NUMBER	
								1 OF 3	



DETAIL A



DETAIL B

THIS DRAWING CONTAINS INFORMATION THAT IS PROPRIETARY TO MOLEX ELECTRONIC TECHNOLOGIES, LLC AND SHOULD NOT BE USED WITHOUT WRITTEN PERMISSION									
DIMENSION UNITS		SCALE		CURRENT REV DESC: MIGRATED TO NX					
MM/INCH		30:1							
GENERAL TOLERANCES (UNLESS SPECIFIED)				EC NO: 613447		2019/03/01		SALES ASSY-HIGH TEMP.	
		MM	INCH	DRWN: ABABU01		2019/03/11		DUAL ROW WAFER W/BREAK- OFF OPT. .025 SQ PINS	
4 PLACES ±				CHK'D: NMANE02		2019/03/11			
3 PLACES ±			± 0.005	APPR: MRAMAKRISHNA		2019/03/11		PRODUCT CUSTOMER DRAWING	
2 PLACES ±		0.13	± 0.01	INITIAL REVISION:					
1 PLACE ±		0.25	±	DRWN: BSMART		2005/01/19		DOCUMENT NUMBER	
0 PLACES ±			±	APPR: SMILLER		2005/01/19		SD-70280-001	
ANGULAR TOL		± 0.5 °		THIRD ANGLE PROJECTION		DRAWING		DOC TYPE	
DRAFT WHERE APPLICABLE MUST REMAIN WITHIN DIMENSIONS				C-SIZE		SERIES		DOC PART	
						70280		REVISION	
						MATERIAL NUMBER		DOC PART	
						SEE TABLE		REVISION	
						CUSTOMER		SHEET NUMBER	
						GENERAL MARKET		2 OF 3	

DOCUMENT STATUS	P1	RELEASE DATE	2019/03/11 07:13:08
-----------------	----	--------------	---------------------

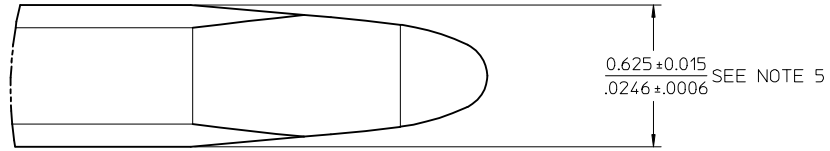
12	11	10	9	8	7	6	5	4	3	2	1
ENGINEERING NUMBER A-70280-				E REF.	J REF.	C ±0.25 [C±.010]	CONNECTOR END PLATING		P.C. BOARD END PLATING		FOR PACKAGING INFORMATION, SEE NOTE 4, SHEET 1 (UNLESS OTHERWISE SPECIFIED BELOW)
-4400/-4448				3.76 [.148]	15.88 [.625]	9.83 [.387]	TYPE	D MEAS.	TYPE		
							BRIGHT TIN	4.57 [.180]	BRIGHT TIN		

CKTS	ITEM NUMBER	ITEM NUMBER	ITEM NUMBER	ITEM NUMBER	CKTS	CKTS	ITEM NUMBER	ITEM NUMBER	ITEM NUMBER	ITEM NUMBER	CKTS
04	70280-4400				04	82	70280-4439				82
06	70280-4401				06	84	70280-4440				84
08	70280-4402				08	86	70280-4441				86
10	70280-4403				10	88	70280-4442				88
12	70280-4404				12	90	70280-4443				90
14	70280-4405				14	92	70280-4444				92
16	70280-4406				16	94	70280-4445				94
18	70280-4407				18	96	70280-4446				96
20	70280-4408				20	98	70280-4447				98
22	70280-4409				22	100	70280-4448				100
24	70280-4410				24						
26	70280-4411				26						
28	70280-4412				28						
30	70280-4413				30						
32	70280-4414				32						
34	70280-4415				34						
36	70280-4416				36						
38	70280-4417				38						
40	70280-4418				40						
42	70280-4419				42						
44	70280-4420				44						
46	70280-4421				46						
48	70280-4422				48						
50	70280-4423				50						
52	70280-4424				52						
54	70280-4425				54						
56	70280-4426				56						
58	70280-4427				58						
60	70280-4428				60						
62	70280-4429				62						
64	70280-4430				64						
66	70280-4431				66						
68	70280-4432				68						
70	70280-4433				70						
72	70280-4434				72						
74	70280-4435				74						
76	70280-4436				76						
78	70280-4437				78						
80	70280-4438				80						

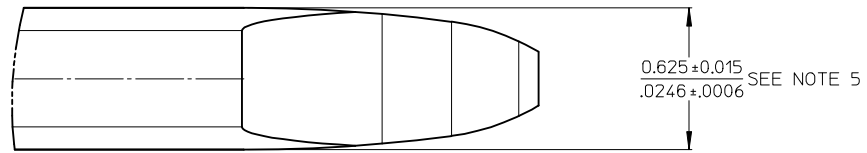
THIS DRAWING CONTAINS INFORMATION THAT IS PROPRIETARY TO MOLEX ELECTRONIC TECHNOLOGIES, LLC AND SHOULD NOT BE USED WITHOUT WRITTEN PERMISSION

DIMENSION UNITS	SCALE	CURRENT REV DESC: MIGRATED TO NX	
MM/INCH	1:1		
GENERAL TOLERANCES (UNLESS SPECIFIED)		EC NO: 613447	
4 PLACES ±	MM INCH	DRWN: ABABU01	2019/03/01
3 PLACES ±	± 0.005	CHK'D: NMANE02	2019/03/11
2 PLACES ±	0.13 ± 0.01	APPR: MRAMAKRISHNA	2019/03/11
1 PLACE ±	0.25 ±	INITIAL REVISION:	
0 PLACES ±	±	DRWN: BSMART	2005/01/19
ANGULAR TOL ±	0.5 °	APPR: SMILLER	2005/01/19
DRAFT WHERE APPLICABLE MUST REMAIN WITHIN DIMENSIONS	THIRD ANGLE PROJECTION	DRAWING	SERIES
		C-SIZE	70280

SALES ASSY-HIGH TEMP. DUAL ROW WAFER W/BREAK- OFF OPT. .025 SQ PINS			
PRODUCT CUSTOMER DRAWING			
DOCUMENT NUMBER	DOC TYPE	DOC PART	REVISION
SD-70280-001	PSD	001	D3
MATERIAL NUMBER	CUSTOMER	SHEET NUMBER	
SEE TABLE	GENERAL MARKET	3 OF 3	



DETAIL "A"  
SCALE 30:1



DETAIL "B"  
SCALE 30:1

<b>CHANGE PIN</b> EC NO: UCP2008-1376 DRAWING: GAVRILL 2009/06/30 CHKD: JBELL 2009/07/01 APPR: FSMITH 2009/07/01 REV:	QUALITY SYMBOLS ▽=0 ▽=0	GENERAL TOLERANCES (UNLESS SPECIFIED)		DIMENSION STYLE <b>MM ONLY</b>		SCALE ---	DESIGN UNITS METRIC	THIRD ANGLE PROJECTION	
		4 PLACES ± --- ± ---	DRAWN BY BSMART	DATE 01/19/2005	TITLE SALES ASSY-HIGH TEMP. DUAL ROW WAFER W/BREAK-OFF OPTION .025				
		3 PLACES ± --- ± ---	CHECKED BY BBARKER	DATE 01/19/2005	MOLEX INCORPORATED				
		2 PLACES ± --- ± --- 1 PLACE ± --- ± ---	APPROVED BY SMILELR	DATE 01/19/2005	MATERIAL NO. SEE TABLE	DOCUMENT NO. SD-70280-001	SHEET NO. 2 OF 3		
ANGULAR ±1/2°		DRAFT WHERE APPLICABLE MUST REMAIN WITHIN DIMENSIONS			THIS DRAWING CONTAINS INFORMATION THAT IS PROPRIETARY TO MOLEX INCORPORATED AND SHOULD NOT BE USED WITHOUT WRITTEN PERMISSION				

