

## PRODUCT CHANGE NOTIFICATION

Date: 2/1/2016

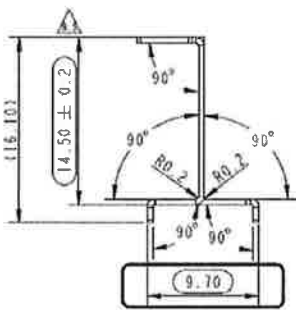
Dear Valued Ethertronics Customer,

Ethertronics Part Number **1002295** has the below specified change:

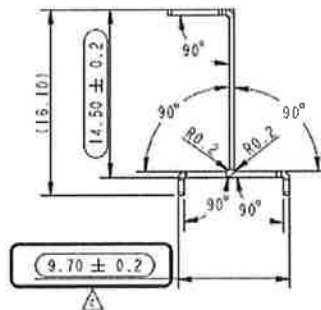
**DESCRIPTION: Stamped Metal Antenna Feed and Ground Solder point tolerances change.**

**SPECIFIC CHANGES: Changed from Rev. B.5 to Rev. C**

Due to the manufacturability of the 1002295 part, Ethertronics has changed the through hole solder points tolerance from +/- 0.1 mm on Rev. B.5 to +/- 0.2 mm on Rev C.



10002295 Rev. B.5 drawing with original tolerance of +/- 0.1 mm on Sheet 1 of drawing



10002295 Rev. C drawing with new tolerance of +/- 0.2 mm

This change will be effective Feb. 2016. If you have any questions, please call Jessica Dia Ph. 858-812-6044, or email jdai@ethertronics.com who will assist you with any questions and provide you support.

Sincerely,

Steve Bridgens  
Corporate Quality Director  
5501 Oberlin Dr.  
Suite 100  
San Diego, CA 92121