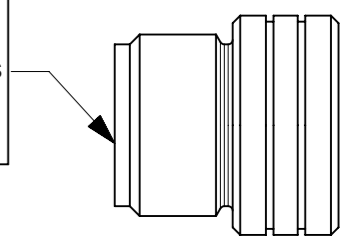
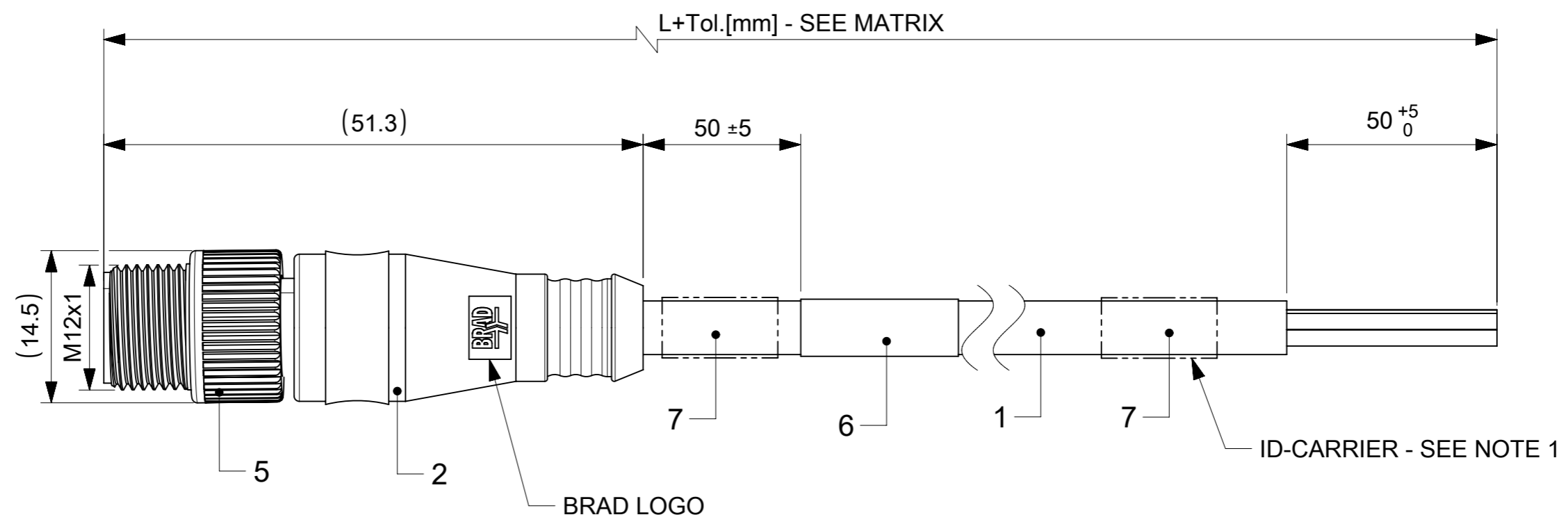
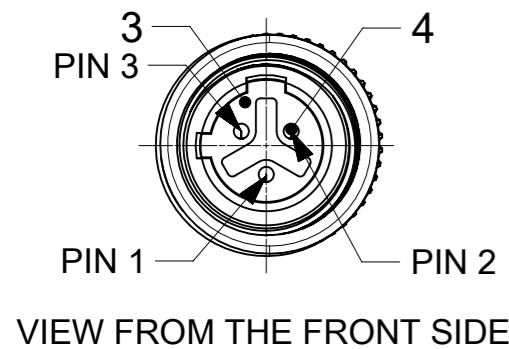


PART No MATRIX

9	0	3	0	0	6	X	X	X	M	*	*	*	*	*
9 = M12 SINGLE ENDED 2xKEYWAY	0=Portable	POLES: 3 = 3 POLES	HEADER: 006 = MALE STRAIGHT			CABLE: E11 = PVC, 3x0,34mm ² , YELLOW I12 = PVC, 3x0,50mm ² , GREY I14 = PVC, 3x1,00mm ² , GREY D02 = PVC, 3x1,20mm ² , YELLOW			UNIT: M = METER	LENGTH: EXAMPLE: 010 = 1 m 050 = 5 m 100 = 10 m			COUPLIN NUT: BLANK = NYLON 3 = NICKEL PLATED BRASS OVERMOULD: BLANK = YELLOW	



WIRING DIAGRAM
GREEN/YELLOW
1 ←
BLUE
2 ←
BROWN
3 ←



BILL OF MATERIAL

ITEM	QTY	DESCRIPTION	MATERIAL	FINISH/COLOR
7	2	ID CARRIER	PVC	-
6	1	LABEL WRAP	VINYL	YELLOW
5	1	COUPLING NUT MALE M12	ELECTROPHORETIC	BLACK
4	3	CONTACT 10 MA	BRONZE	GOLD OVER NICKEL PLATED
3	1	INSERT 3P MALE	NYLON	BLACK
2	-	MOULDING MATERIAL	POLYVINYL	YELLOW
1	-	CABLE 3X0.34MM	SEE CABLE INFORMATION - SHEET 2	
ITEM	QTY	DESCRIPTION	MATERIAL	FINISH/COLOR

NOTES:

- FOR CABLES "lxx" - ID-CARRIES ON THE BOTH SIDES OF HARNESS
- FOR CABLES "lxx" PRINGING - ENGINEERING No

THIS DRAWING CONTAINS INFORMATION THAT IS PROPRIETARY TO MOLEX ELECTRONIC TECHNOLOGIES, LLC AND SHOULD NOT BE USED WITHOUT WRITTEN PERMISSION

DIMENSION UNITS	SCALE	CURRENT REV DESC: OBSOLETE PART NUMBER		molex	
mm	2:1				
GENERAL TOLERANCES (UNLESS SPECIFIED)		EC NO: 655037		MMC-3P-AC-2KW-MM-ST-XM	
ANGULAR TOL	± °	DRWN: VLOKESHA		2020/12/22	
4 PLACES	±	CHK'D: GGA		2021/03/16	
3 PLACES	±	APPR: GGA		2021/03/16	
2 PLACES	±	INITIAL REVISION:		DOCUMENT NUMBER	
1 PLACE	±	DRWN: MKOWALCZYK01		1200728076	
0 PLACES	±	APPR: MIWASIECZKO		PSD 000 A2	
DRAFT WHERE APPLICABLE MUST REMAIN WITHIN DIMENSIONS		THIRD ANGLE PROJECTION	DRAWING	SERIES	MATERIAL NUMBER
			A3-SIZE	120072	SEE SHEET 2
				CUSTOMER	SHEET NUMBER
				GENERAL MARKET	1 OF 2

CABLE INFORMATION (for more information see Cable Data Sheet).


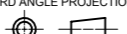
CABLE TYPE	NO. OF WIRES	CROSS SECTION	CABLE JACKET	UL	CSA	STATIC: TEMP. / BENDING RADIUS	DYNAMIC: TEMP. / BENDING RADIUS	DRAG CHAIN	SHIELD
E11	3	0.34mm ²	PVC YELLOW	-	-	-15°C to +70°C	-5°C to +70°C	-	-
I12	3	0.5mm ²	PVC GREY	-	-	-25°C to +70°C	-5°C to +70°C	-	-
I14	3	1mm ²	PVC GREY	-	-	-30°C to +70°C	-5°C to +70°C	-	-
D02	3	0.34mm ²	PVC YELLOW	-	-	-	-	-	-

CABLE LENGTH TOLERANCES

OVER	UP TO AND INCLUDING	TOLERANCES
0	305mm	+19mm
305mm	915mm	+45mm
915mm	1830mm	+56mm
1830mm	3660mm	+89mm
3660mm	7320mm	+165mm
7320mm	14640mm	+317mm
14640mm	30500mm	+610mm
30500mm	>	+2% of finished length

PART LIST

MOLEX PN	ENGINEERING NO.	L[mm]
1200130006	903006E11M0205	2000
1200130007	903006E11M0305	3000
1200130013	903006I12M050	5000
1200130016	903006I12M030	3000
1200130028	903006E11M1003	10000
1200728023	903006I14M010	1000
1200728076	903006E11M050	5000

THIS DRAWING CONTAINS INFORMATION THAT IS PROPRIETARY TO MOLEX ELECTRONIC TECHNOLOGIES, LLC AND SHOULD NOT BE USED WITHOUT WRITTEN PERMISSION									
DIMENSION UNITS	SCALE	CURRENT REV DESC: OBSOLETE PART NUMBER							
mm	1:1								
GENERAL TOLERANCES (UNLESS SPECIFIED)		EC NO: 655037			MMC-3P-AC-2KW-MM-ST-XM				
ANGULAR TOL ± °		DRWN: VLOKESHA 2020/12/22			PRODUCT CUSTOMER DRAWING				
4 PLACES ±		CHK'D: GGA 2021/03/16			DOCUMENT NUMBER				
3 PLACES ±		APPR: GGA 2021/03/16			1200728076				
2 PLACES ±		INITIAL REVISION:			DOC TYPE		DOC PART		REVISION
1 PLACE ±		DRWN: MKOWALCZYK01 2018/09/27			PSD		000		A2
0 PLACES ±		APPR: MIWASIECZKO 2018/10/01							
DRAFT WHERE APPLICABLE MUST REMAIN WITHIN DIMENSIONS		THIRD ANGLE PROJECTION		DRAWING	SERIES	MATERIAL NUMBER	CUSTOMER		SHEET NUMBER
				A3-SIZE	120072	SEE PART LIST	GENERAL MARKET		2 OF 2