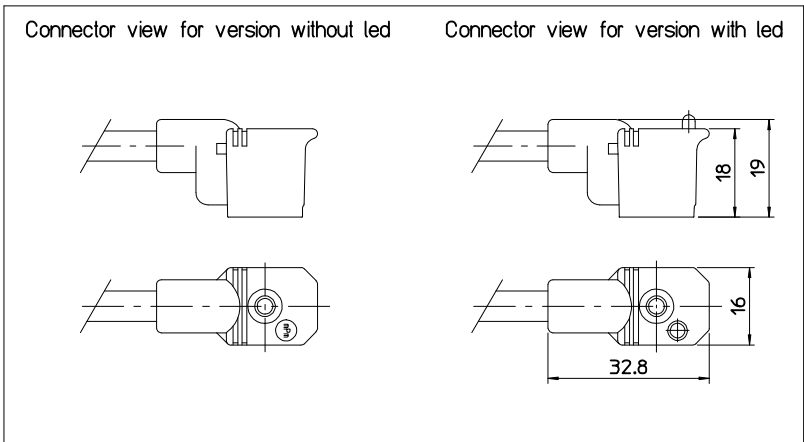
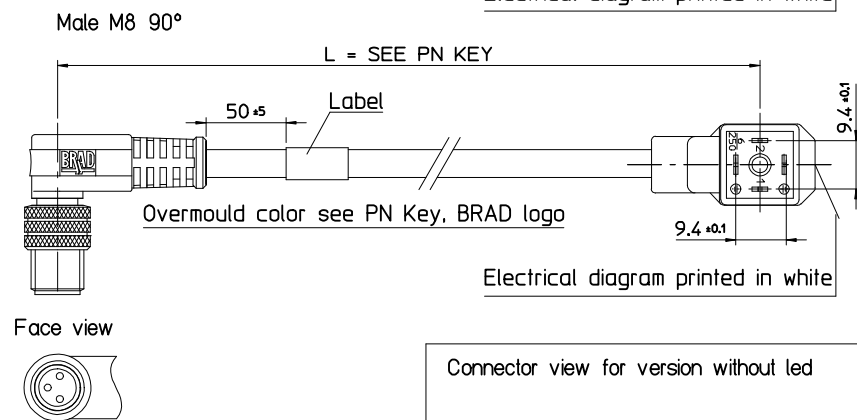
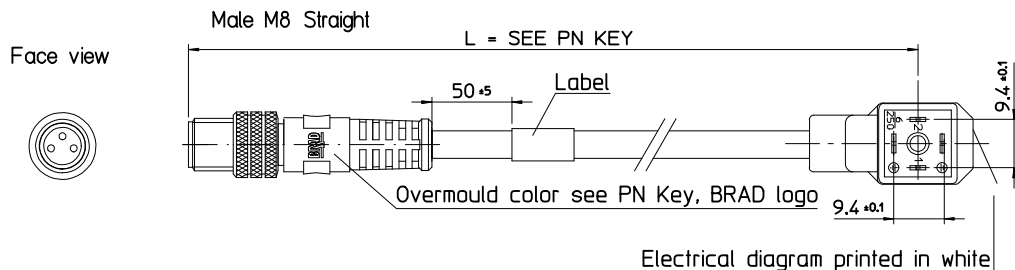
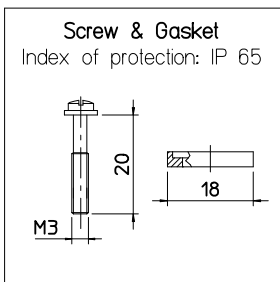


Table of length tolerances [mm]		
Over	Up to and including	Tolerance
0	1000	±20
1000	3000	±30
3000	5000	±40
5000	10000	±50
10000	15000	±100
15000	20000	±150
20000		±L/100



PART No MATRIX - PN KEY

G	4	3	0	X	X	X	X	X	X	X	X	X	X
---	---	---	---	---	---	---	---	---	---	---	---	---	---

G = Form Micro (9.4mm contact spacing)
 4 = NC Single Keyway
 3 = 3 Pole
 0 = Wiring details: 0 = Standard Wiring
 X = Cable Type
 XXX = Cable Type
 M = Metres
 F = Feet
 Length: 00-2 Meters, 05-5 Meters, 200-20 Meters

DIN Earth Position - o'clock & M12 connector body:
 0 = Earth H6/H12, MALE Straight
 2 = Earth H6/H12, MALE 90°

Electrical configuration:
 0 = Without LED/Without circuit
 A = S0 24V Yellow LED
 B = C4 24V Yellow LED
 C = S0 110V Yellow LED
 D = C4 110V Yellow LED
 E = S0 24V Green LED
 F = C4 24V Green LED
 G = S0 110V Green LED
 H = C4 110V Green LED
 J = S0 24V Red LED
 K = C4 24V Red LED
 L = S0 110V Red LED
 M = C4 110V Red LED
 S = C4 230V Yellow LED

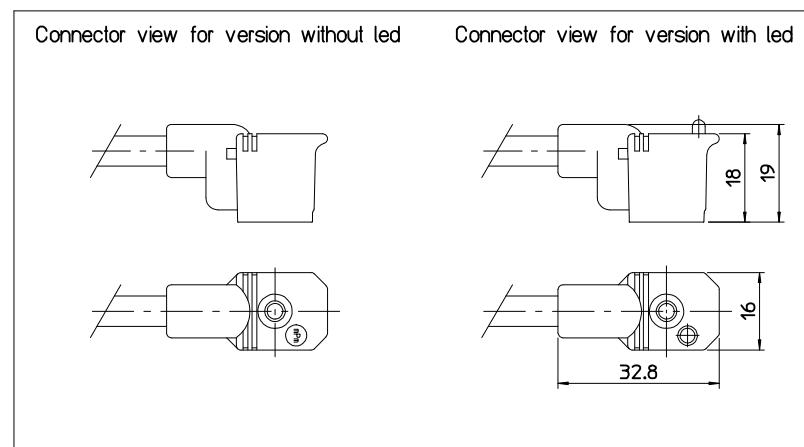
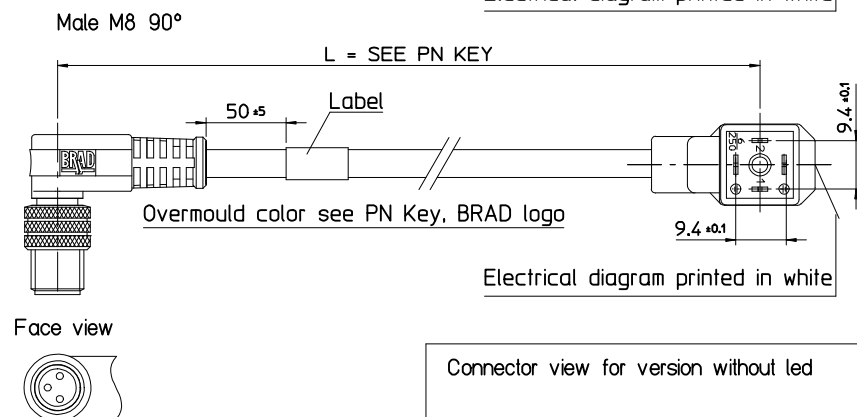
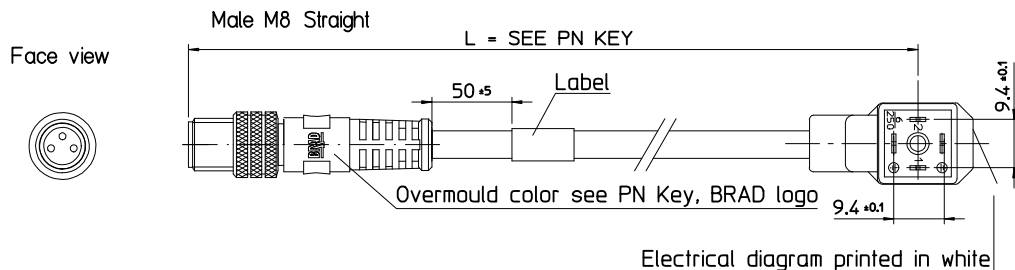
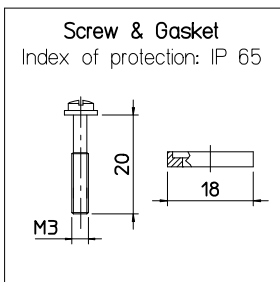
OPTIONS

H/D Carrier M8 Overmoulding color:
 Blank-Black Standard
 Y=Yellow
 A=Grey

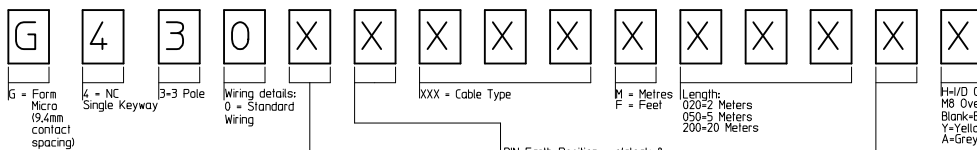
Coupling Nut Material:
 Blank-Standard
 1=Stainless Steel
 5=Delrin
 7=Teflon coat

ORIGINAL RELEASE EC NO: IPG2016-0054 DRWN:APAWLAK01 2015/07/09 CHKD:FGAIK 2015/07/09 APPR:MIWASIECZKO 2015/07/20	QUALITY SYMBOLS 	GENERAL TOLERANCES (UNLESS SPECIFIED)		DIMENSION STYLE MM ONLY		SCALE -	DESIGN UNITS METRIC	THIRD ANGLE PROJECTION			
		4 PLACES ± --- ± ---	3 PLACES ± --- ± ---	DRAWN BY APAWLAK01	DATE 2015/07/09	TITLE G43XXXXXXXXXX DIN MICRO + M8					
		2 PLACES ± --- ± ---	1 PLACE ± --- ± ---	CHECKED BY FGAIK	DATE 2015/07/09	MATERIAL NO.					
		0 PLACE ± --- ± ---	ANGULAR ± --- °	APPROVED BY MIWASIECZKO	DATE 2015/07/20	DOCUMENT NO. SD-121036-016					
DRAFT WHERE APPLICABLE MUST REMAIN WITHIN DIMENSIONS		SEE SHEET 2		THIS DRAWING CONTAINS INFORMATION THAT IS PROPRIETARY TO MOLEX INCORPORATED AND SHOULD NOT BE USED WITHOUT WRITTEN PERMISSION		SHEET NO. 1 OF 2					

Table of length tolerances [mm]		
Over	Up to and including	Tolerance
0	1000	±20
1000	3000	±30
3000	5000	±40
5000	10000	±50
10000	15000	±100
15000	20000	±150
20000		±L/100



PART No MATRIX - PN KEY



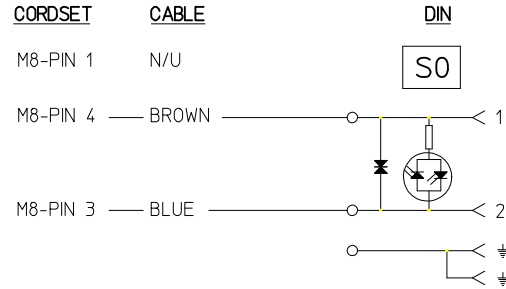
OPTIONS

- DIN Earth Position - o'clock & M12 connector body:
0 = Earth H6/H12, MALE Straight
2 = Earth H6/H12, MALE 90°
- Electrical configuration:
0 = Without LED/Without circuit
A = S0 24V Yellow LED
B = C4 24V Yellow LED
C = S0 110V Yellow LED
D = C4 110V Yellow LED
E = S0 24V Green LED
F = C4 24V Green LED
G = S0 110V Green LED
H = C4 110V Green LED
J = S0 24V Red LED
K = C4 24V Red LED
L = S0 110V Red LED
M = C4 110V Red LED
S = C4 230V Yellow LED
- Coupling Nut Material:
Blank-Standard
1=Stainless Steel
5=Delrin
7=Teflon coat

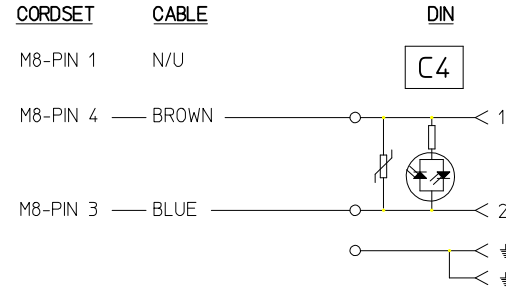
<p>ORIGINAL RELEASE</p> <p>EC NO: IPG2016-0054</p> <p>DRWN:APAWLAK01 2015/07/09</p> <p>CHKD:FGAIK 2015/07/09</p> <p>APPR:MIWASIECZKO 2015/07/20</p>	<p>QUALITY SYMBOLS</p> <p>▽=0</p> <p>◻=0</p>	<p>GENERAL TOLERANCES (UNLESS SPECIFIED)</p>		<p>DIMENSION STYLE</p> <p>MM ONLY</p>		<p>SCALE</p> <p>-</p>	<p>DESIGN UNITS</p> <p>METRIC</p>	<p>THIRD ANGLE PROJECTION</p>
		<p>4 PLACES</p>	<p>mm</p>	<p>INCH</p>	<p>DRAWN BY</p> <p>APAWLAK01</p>	<p>DATE</p> <p>2015/07/09</p>	<p>TITLE</p> <p>G43XXXXXXXXXX</p> <p>DIN MICRO + M8</p>	
		<p>3 PLACES</p>	<p>± ---</p>	<p>± ---</p>	<p>CHECKED BY</p> <p>FGAIK</p>	<p>DATE</p> <p>2015/07/09</p>		
		<p>2 PLACES</p>	<p>± ---</p>	<p>± ---</p>	<p>APPROVED BY</p> <p>MIWASIECZKO</p>	<p>DATE</p> <p>2015/07/20</p>		
<p>1 PLACE</p>	<p>± ---</p>	<p>± ---</p>	<p>MATERIAL NO.</p> <p>SEE SHEET 2</p>		<p>DOCUMENT NO.</p> <p>SD-121036-016</p>			
<p>0 PLACE</p>	<p>± ---</p>	<p>± ---</p>	<p>ANGULAR ±---°</p>		<p>SHEET NO.</p> <p>1 OF 2</p>			
<p>DRAFT WHERE APPLICABLE MUST REMAIN WITHIN DIMENSIONS</p>			<p>THIS DRAWING CONTAINS INFORMATION THAT IS PROPRIETARY TO MOLEX INCORPORATED AND SHOULD NOT BE USED WITHOUT WRITTEN PERMISSION</p>					

Electrical diagrams

Electrical diagram with circuit S0 (zener diode) for:



Electrical diagram with circuit C4 (VDR) for:



Cable type

Cable Type	Jacket Material	Jacket Color	Wire cross section	Braid
A58	PVC	Black	20AWG	no
E03	PVC	Black	0.34mm ²	no
E12	PVC	Black	0.5mm ²	no
I12	CEI PVC	Grey	0.5mm ²	no
P12	PUR	Black	0.5mm ²	no
I03	CEI PVC	Grey	0.34mm ²	no
E11	PVC	Yellow	0.34mm ²	no

TABLE 1

Pos.	Molex PN:	Engineering No.:
1	1210360963	G430B2A58M004
2	1210360355	G430B0I03M006
3	1210360483	G430B0I03M010
4	1210360546	G430B0E12M006
5	1210360613	G430B0E11M020
6	1210360615	G430B0E12M003
7	1210360616	G430B2P12M006
8	1210360617	G430K0E12M003
9	1210360688	G430B0P12M006
10	1210360697	G430B0P12M003
11	1210360807	G430B0E11M010
12	1210360842	G430B0E12M050H
13	1210360963	G430B2A58M004
14		
15		
16		
17		
18		
19		
20		

ORIGINAL RELEASE EC NO: IPG2016-0054 DRWN:APAWLAK01 2015/07/09 CHKD:FGAIK 2015/07/09 APPR:MIWASIECZKO 2015/07/20	QUALITY SYMBOLS	GENERAL TOLERANCES (UNLESS SPECIFIED)	DIMENSION STYLE MM ONLY	SCALE -	DESIGN UNITS METRIC	THIRD ANGLE PROJECTION	
	▼=0 ◻=0	mm INCH 4 PLACES ± --- ± --- 3 PLACES ± --- ± --- 2 PLACES ± --- ± --- 1 PLACE ± --- ± --- 0 PLACE ± --- ± ---	DRAWN BY: APAWLAK01 DATE: 2015/07/09 CHECKED BY: FGAIK DATE: 2015/07/09 APPROVED BY: MIWASIECZKO DATE: 2015/07/20	TITLE	G43XXXXXXXXXX DIN MICRO + M8		
		ANGULAR ±---°	MATERIAL NO.	molex DOCUMENT NO. SD-121036-016 SHEET NO. 2 OF 2			
		DRAFT WHERE APPLICABLE MUST REMAIN WITHIN DIMENSIONS	SEE TABLE 1				
	A	REV	THIS DRAWING CONTAINS INFORMATION THAT IS PROPRIETARY TO MOLEX INCORPORATED AND SHOULD NOT BE USED WITHOUT WRITTEN PERMISSION				