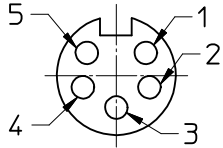
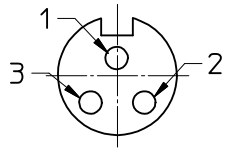
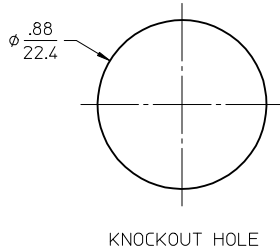


FACE VIEW-FEMALE INSERT



- 1 GREEN/YELLOW
- 2 BROWN
- 3 BLUE

- 1 BLACK
- 2 BLUE
- 3 GREEN/YELLOW
- 4 BROWN
- 5 WHITE



CABLE P/N MATRIX

1R3000A25M010

RECEPTACLE (A-SIZE) ———

NUMBER OF POLES ———

CONNECTOR TYPE (FEMALE, INTERNAL THD.) ———

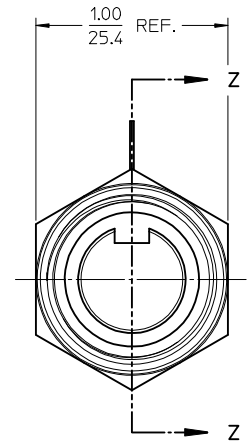
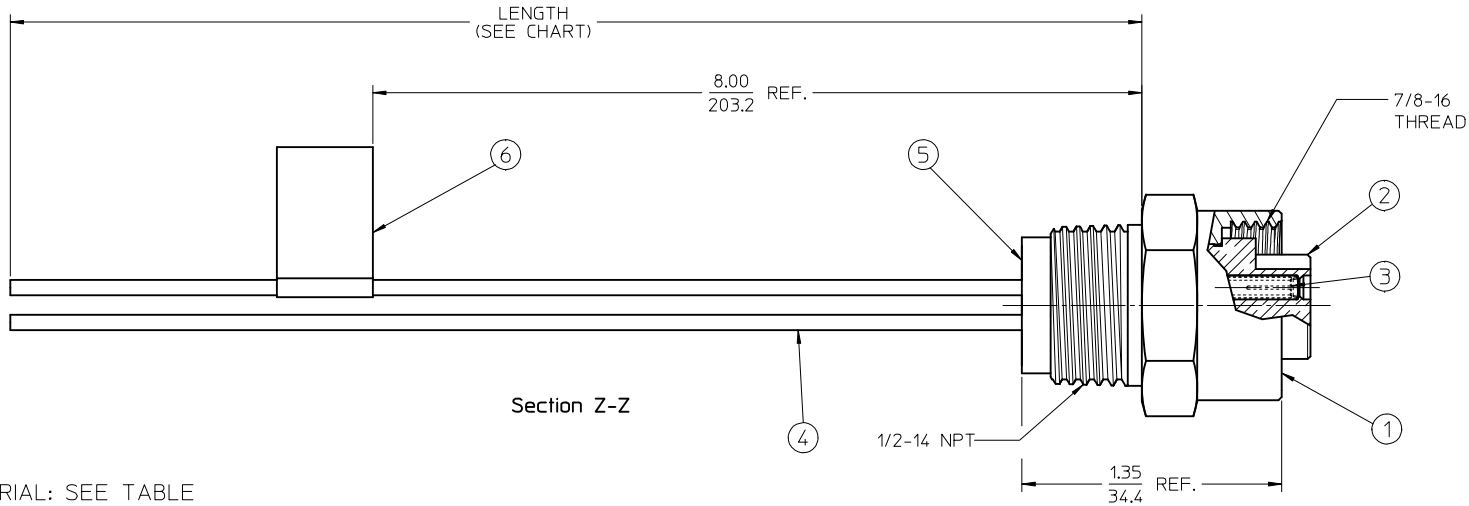
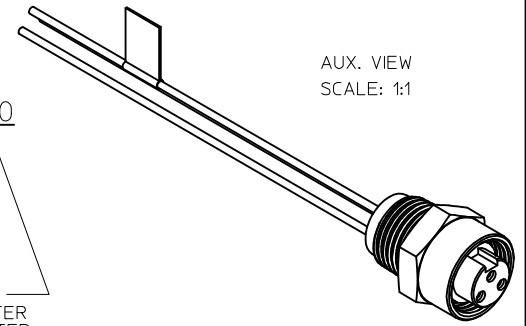
WIRE TYPE (18 AWG PVC) ———

FINISHED LENGTH ———

M: M001 = 0.1 METER
M010 = 1.0 METER
M100 = 10.0 METERS

A: A120 = 12 INCHES

F: F010 = 1 FOOT
F100 = 10 FEET



NOTES:

- 1. MATERIAL: SEE TABLE
- 2. FINISHES: SEE TABLE
- 3. ELECTRICAL SPECIFICATIONS:
VOLTAGE RATING: 300V AC/DC
CURRENT RATING: 3P = 10 AMPS
5P = 5.6 AMPS
- 4. ASSEMBLY IS RoHS COMPLIANT BY EXEMPTION
- 5. XX = NUMBER OF CIRCUITS

6	1	LABEL	VINYL	BLACK/YELLOW
5	1	POTTING MATERIAL	EPOXY	
4	XX	WIRE, 18 AWG	PVC INSULATION	SEE FACE VIEW
3	XX	CONTACT SOCKET & SLEEVE ASSY.	Cu ALLOY/ST.STEEL	GOLD PLATED
2	1	INSERT (FEMALE)	PVC	YELLOW
1	1	RECEPTACLE SHELL (INT.THREAD)	ZINC DIECAST	NICKEL PLATED
ITEM	QTY.	DESCRIPTION	MATERIAL	FINISH

RELEASED EC NO: JFG2015-1086 DRWR:RSTONE 2014/12/08 CHKD:B ARDEN 2014/12/08 APPR:J MURPHY 2015/04/22	QUALITY SYMBOLS
	▼=0 ▽=0
	DESCRIPTION
	REV

GENERAL TOLERANCES (UNLESS SPECIFIED)	
mm	INCH
4 PLACES ± ---	± ---
3 PLACES ± ---	± .005
2 PLACES ± 0.13	± .010
1 PLACE ± 0.3	± ---
ANGULAR ± 1/2°	
DRAFT WHERE APPLICABLE MUST REMAIN WITHIN DIMENSIONS	

DIMENSION STYLE		SCALE	DESIGN UNITS	THIRD ANGLE PROJECTION
IN/MM		2:1	INCH	
DRAWN BY	DATE	TITLE		
RSTONE	2014/12/08	MINI-CHANGE, RECEPTACLE		
CHECKED BY	DATE	3P, FEMALE, INT. THREAD		
B ARDEN	2014/12/08	18 AWG		
APPROVED BY	DATE	MOLEX INCORPORATED		
JFMURPHY	2015/04/22	SD-130013-088		
MATERIAL NO.	DOCUMENT NO.	SHEET NO.		
SEE CHART		1 OF 1		
SIZE	THIS DRAWING CONTAINS INFORMATION THAT IS PROPRIETARY TO MOLEX INCORPORATED AND SHOULD NOT BE USED WITHOUT WRITTEN PERMISSION			