

MATERIAL NUMBER	ENGINEERING NUMBER	FINISHED LENGTH
1300280068	DND23A-M005	1.64' +1.75" -0 [1.5M +44.5 -0]
1300280070	DND23A-M010	3.28' +2.19" -0 [1.0M +55.6 -0]
1300280073	DND23A-M020	6.56' +3.50" -0 [2.0M +88.9 -0]
1300280075	DND23A-M030	9.84' +3.50" -0 [3.0M +88.9 -0]
1300280076	DND23A-M040	13.12' +6.50" -0 [4.0M +165.1 -0]
1300280077	DND23A-M050	16.40' +6.50" -0 [5.0M +165.1 -0]
1300280078	DND23A-M060	19.69' +6.50" -0 [6.0M +165.1 -0]

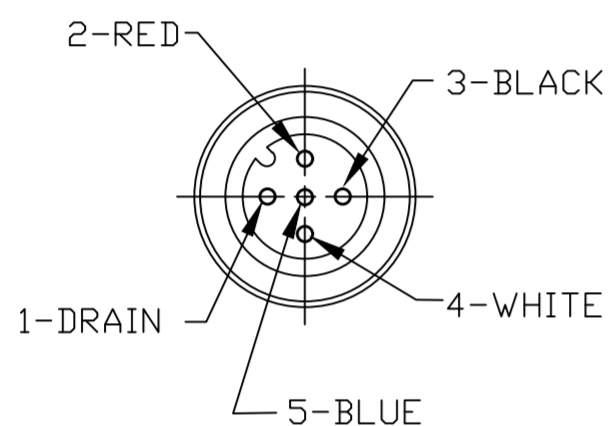
**(B) PART NUMBER LEGEND**

DND23A-M005

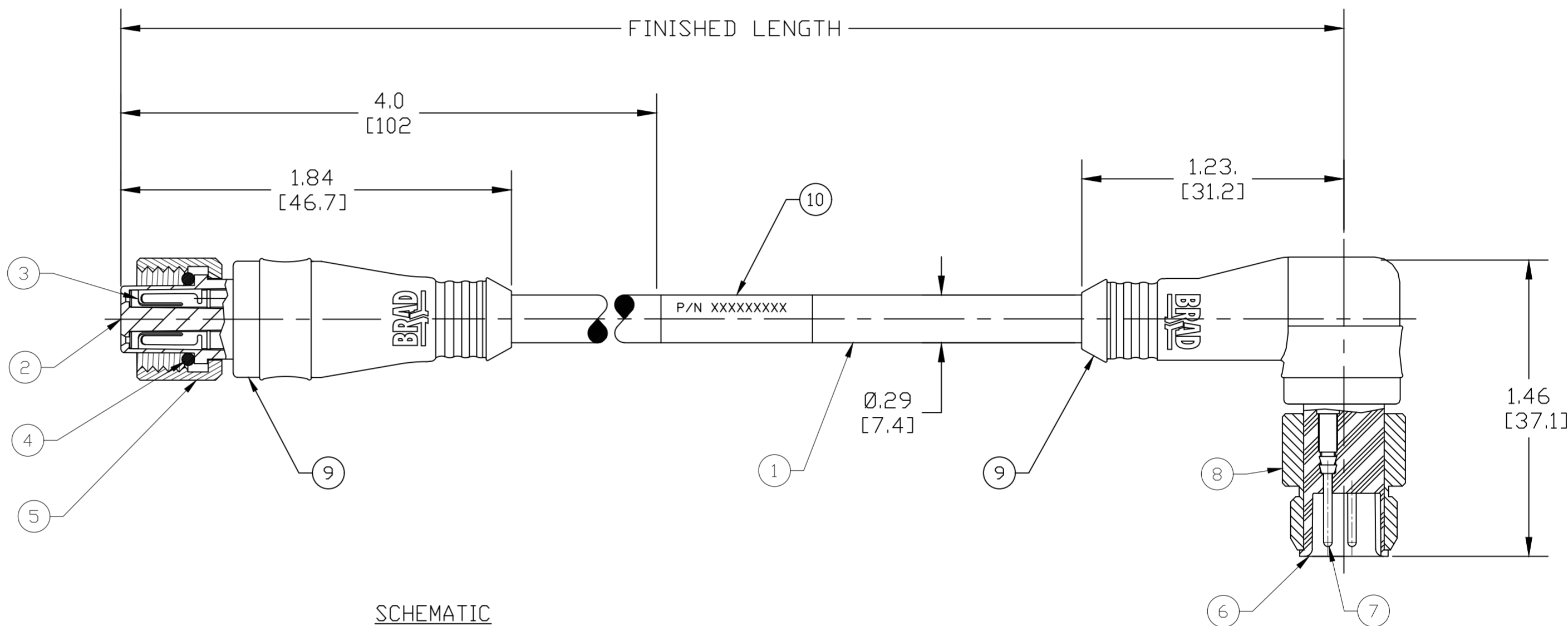
FINISHED LENGTH:  
M005= 0.5 METER  
M010= 1.0 METER  
M100= 10.0 METERS

**(B) CABLE LENGTH TOLERANCES**

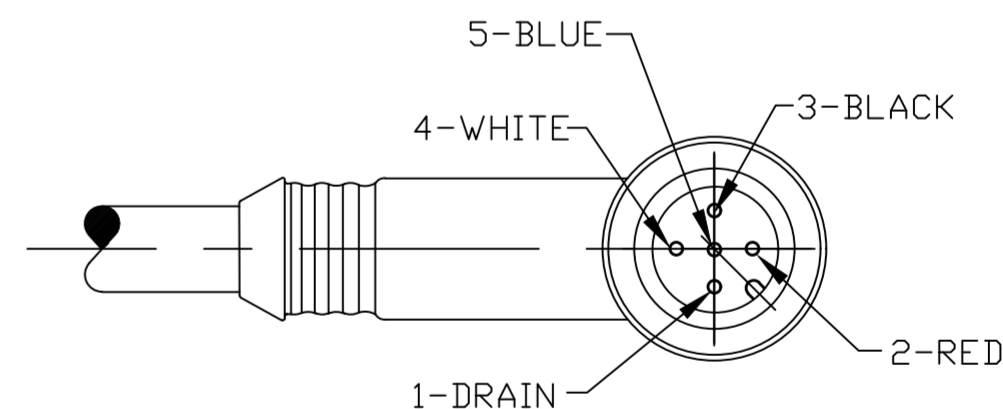
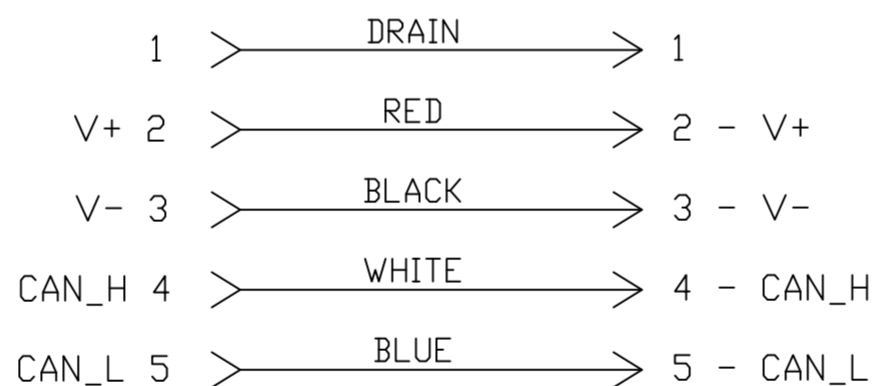
<.3M [1FT]:	+19mm-0 [ +.75in-0]
.3 - .9M [1 - 3FT]:	+44.5mm-0 [+1.75in-0]
.9 - 1.8M [3 - 6FT]:	+55.6mm-0 [+2.19in-0]
1.8 - 3.7M [6 - 12FT]:	+88.9mm-0 [+3.50in-0]
3.7 - 7.3M [12 - 24FT]:	+165.1mm-0 [+6.50in-0]
7.3-14.6M [24 - 48FT]:	+317.5mm-0 [+12.50in-0]
14.6 - 30.5M [48-100FT]:	+622.3mm-0 [+24.50in-0]
OVER 30M [100FT]	+2% OF FINISHED LENGTH



FEMALE INSERT FACE VIEW



**SCHEMATIC**



MALE-FACE VIEW

- (B) NOTES:**
- MATERIAL: AS NOTED
  - FINISH: AS NOTED
  - ELECTRICAL:  
VOLTAGE: 250V  
CURRENT: 4A
  - TEMP RATING: -25°C TO +80°C
  - PROTECTION: IP67 (WHEN MATED)
  - COUPLING THREAD: M12 X 1.0
  - ALL DIMS ARE FOR REFERENCE UNLESS TOLERANCED OR NOTED OTHERWISE

ITEM	DESCRIPTION	MATERIAL	FINISH
10	LABEL	VINYL	BLACK/YELLOW
9	OVERMOLDS	TPC (B)	GRAY
8	COUPLING, MALE	ZINC DIE-CAST	BLACK E-COAT
7	CONTACT PIN	Cu ALLOY	GOLD PLATED
6	INSERT, MALE	NYLON	BLACK
5	COUPLING, FEMALE	ZINC DIE-CAST	BLACK E-COAT
4	O-RING	NITRILE	RED
3	CONTACT SOCKET	Cu ALLOY	GOLD PLATED
2	INSERT, FEMALE	NYLON	BLACK
1	DEVICENET, 22AWG DRDP CABLE	PVC JACKET	GRAY

<b>FUNCTIONAL SYMBOLS</b> FA=0 FC=0 FP=0 <b>DIVISIONAL SYMBOLS</b>	THIS DRAWING CONTAINS INFORMATION THAT IS PROPRIETARY TO MOLEX ELECTRONIC TECHNOLOGIES, LLC AND SHOULD NOT BE USED WITHOUT WRITTEN PERMISSION DIMENSION UNITS: INCH/MM SCALE: NTS CURRENT REV DESC: OVERMOLD WAS PVC, UPDATE NOTES, ADD P/N LEGEND, AND LENGTH TOLS	<b>molex</b> MICRO CHANGE DEVICE NET 5 POLE MALE 90 DEG TO FEMALE STRAIGHT 22AWG PVC		
	GENERAL TOLERANCES (UNLESS SPECIFIED) 4 PLACES ±--- ±--- 3 PLACES ±--- ±--- 2 PLACES ±--- ±--- 1 PLACE ±--- ±--- 0 PLACES ±--- ±---	EC NO: 713760 DRWN: RSTONE 2022/05/06 CHK'D: ALEON01 2022/05/27 APPR: BWOODMAN 2022/07/12	PRODUCT CUSTOMER DRAWING	
	ANGULAR TOL ± --- ° DRAFT WHERE APPLICABLE MUST REMAIN WITHIN DIMENSIONS	INITIAL REVISION: DRWN: TWOLDEGE 2010/01/11 APPR: JFMURPHY 2010/01/20	DOCUMENT NUMBER: SD-130028-007 DOC TYPE/DOC PART: PSD 001 REVISION: B	SHEET NUMBER: 1 OF 1
	THIRD ANGLE PROJECTION DRAWING: C-SIZE SERIES: 130028	MATERIAL NUMBER: GENERAL MARKET CUSTOMER:	SHEET NUMBER: 1 OF 1	