

RJ45 connector - CUC-V14-C1ZNI-S/R4E8 - 1422661

Please be informed that the data shown in this PDF Document is generated from our Online Catalog. Please find the complete data in the user's documentation. Our General Terms of Use for Downloads are valid (<http://phoenixcontact.com/download>)




Push-pull connector (version 14), die-cast zinc, with RJ45 connector insert, 8-pos., with IDC fast connection technology, for 1 and 7-wire cores, 26 ... 24 AWG, for cable diameter of 5.5 mm ... 10 mm

Your advantages

- ✓ Push-pull ADVANCE connector
- ✓ Locking system to prevent inadvertent removal
- ✓ Protected data transmission, thanks to 360° shielding concept
- ✓ High resistance to ESD and EMC for reliable transmission

Ethernet Ethernet

Key Commercial Data

Packing unit	1 pc
GTIN	 4 055626 311197
GTIN	4055626311197

Technical data

Mechanical characteristics

Standards/specifications	IEC 61076
Number of positions	8
Connection profile	RJ45
Locking type	Push Pull
Insertion/withdrawal cycles	≥ 750
Connection method	IDC fast connection
Conductor cross section	0.14 mm ² ... 0.23 mm ² (solid)
	0.14 mm ² ... 0.25 mm ² (flexible)
Connection cross section AWG	26 ... 24 (solid)
	26 ... 24 (flexible)
Max. cable diameter	5.5 mm ... 10 mm
External cable diameter	5.5 mm ... 10 mm

RJ45 connector - CUC-V14-C1ZNI-S/R4E8 - 1422661

Technical data

Mechanical characteristics

Cable outlet	straight
Degree of protection	IP65/IP67
Type	Version 14
No. of cable outlets	1
Note	This product corresponds to the PROFINET Cabling and Interconnection Technology Guideline for PROFINET regulations, version 3.01, Order No. 2252

Ambient conditions

Ambient temperature (operation)	-40 °C ... 70 °C
Ambient temperature (assembly)	-10 °C ... 40 °C
Ambient temperature (storage/transport)	-40 °C ... 70 °C

Material data

Flammability rating according to UL 94	V0
Housing material	Zinc die-cast
Housing surface material	Nickel-plated
Contact carrier material	PC
Contact material	Copper alloy
Contact surface material	Gold over nickel
Seal material	NBR
Height	34 mm

Electrical characteristics

Rated voltage (III/3)	72 V (DC)
Rated current	1.75 A
Frequency range	to 100 MHz
Transmission characteristics (category)	CAT5 (IEC 11801:2002)

Standards and Regulations

Standards/regulations	IEC 61076
Flammability rating according to UL 94	V0

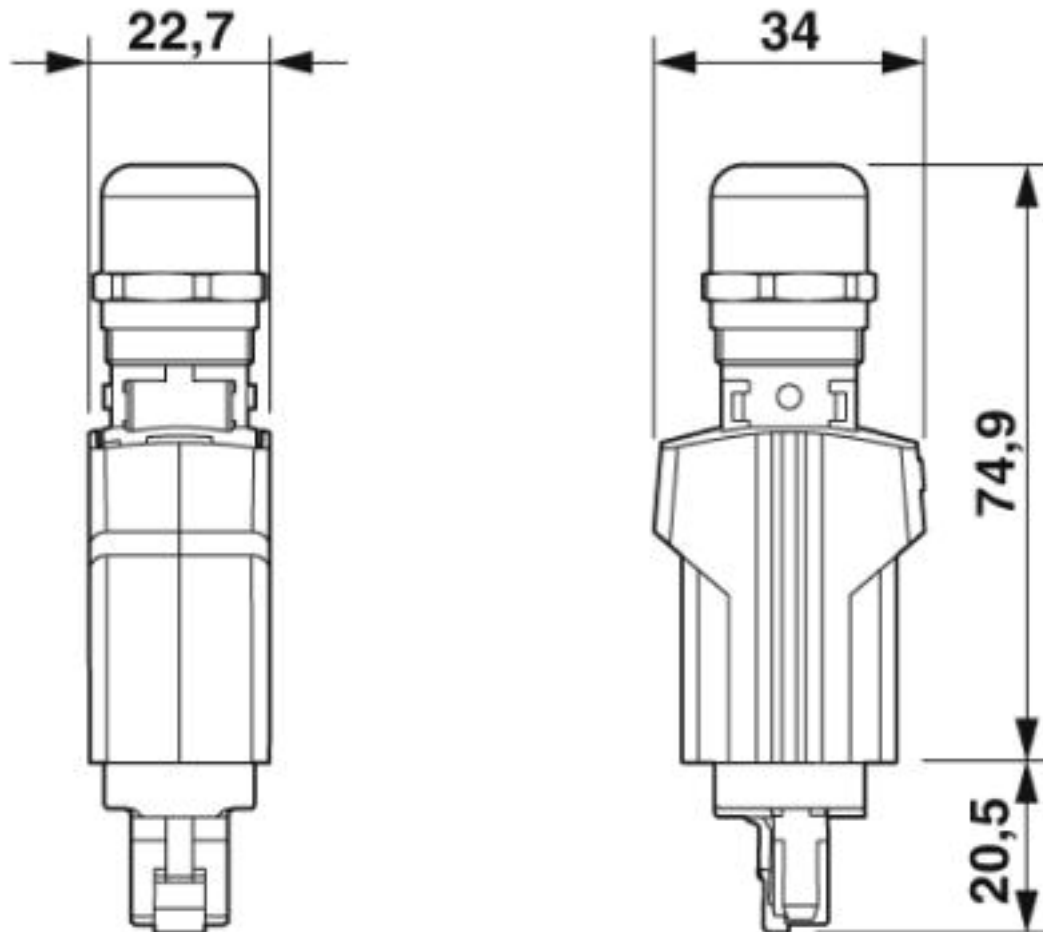
Environmental Product Compliance

	Lead 7439-92-1
China RoHS	Environmentally Friendly Use Period = 50
	For details about hazardous substances go to tab "Downloads", Category "Manufacturer's declaration"

Drawings

RJ45 connector - CUC-V14-C1ZNI-S/R4E8 - 1422661

Dimensional drawing



Phoenix Contact 2019 © - all rights reserved
<http://www.phoenixcontact.com>

PHOENIX CONTACT GmbH & Co. KG
Flachsmarktstr. 8
32825 Blomberg
Germany
Tel. +49 5235 300
Fax +49 5235 3 41200
<http://www.phoenixcontact.com>