

THIS DRAWING IS UNPUBLISHED. RELEASED FOR PUBLICATION 2012  
 © COPYRIGHT 2012 Tyco Electronics AMP GmbH ALL RIGHTS RESERVED.

LOC	DIST	REVISIONS					
		P	LTR	DESCRIPTION	DATE	DWN	APVD
AI	-		A	INITIAL RELEASE	26MAR2012	RG	RG

Auf die korrekte Einstellung der Anschlagsschraube ist zu achten, damit das Relais nicht beschädigt wird.

The correct setting of the stop screw must be ensured, so that the relay isn't damaged.


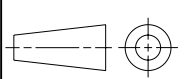


Bedienungsanleitung / Instruction Sheet

411-18545

Anwendungsbereich / Application range

For removal the Relay 35A P/N 9620725080.

THIS DRAWING IS A CONTROLLED DOCUMENT.		DWN R. Germann 26MAR2012	 TE Connectivity	
DIMENSIONS: mm		CHK R. Germann 26MAR2012		
		TOLERANCES UNLESS OTHERWISE SPECIFIED:		NAME REMOVAL TOOL Ausbauwerkzeug
MATERIAL -		FINISH -		APVD -
		0 PLC ±-		PRODUCT SPEC -
		1 PLC ±-		APPLICATION SPEC -
		2 PLC ±-		WEIGHT 690g
		3 PLC ±-		SIZE A3
		4 PLC ±-		CAGE CODE 00779
		ANGLES ±1°		DRAWING NO C-1579028-2
		CUSTOMER DRAWING		RESTRICTED TO -
		SCALE -		SHEET 1 OF 1
				REV A