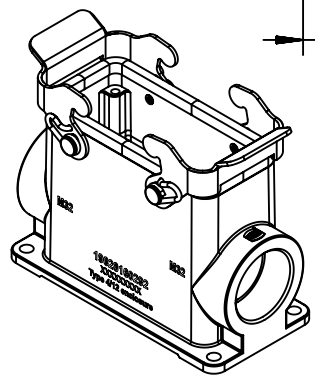


19628160292
 XXXXXXXXX
 Type 4/12 enclosure



	All Dimensions in mm Original Size DIN A4		Scale 1:1	Free size tol.		Ref.
			Created by SPRENB	Inspected by GERB	Standardisation GARSKE	Sub.
		All rights reserved	Date 2020-01-07		State Final Release	
		Department EL PD	Title Han High Temp 16B-HSM 2xM32			Doc-Key / ECM-Nr. 100571749/UGD/002/D 500000162090
		HARTING Electric GmbH & Co. KG D-32339 Espelkamp	Type TB	Number 19 62 816 0292		Rev. D Page 1/1