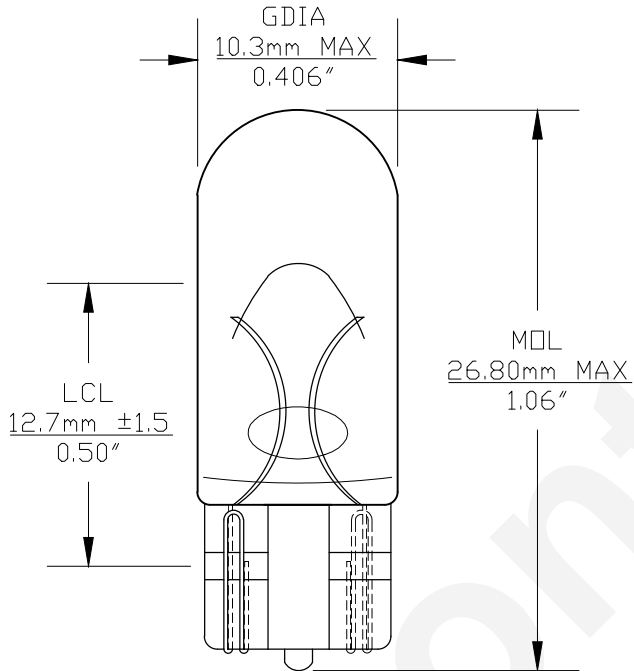


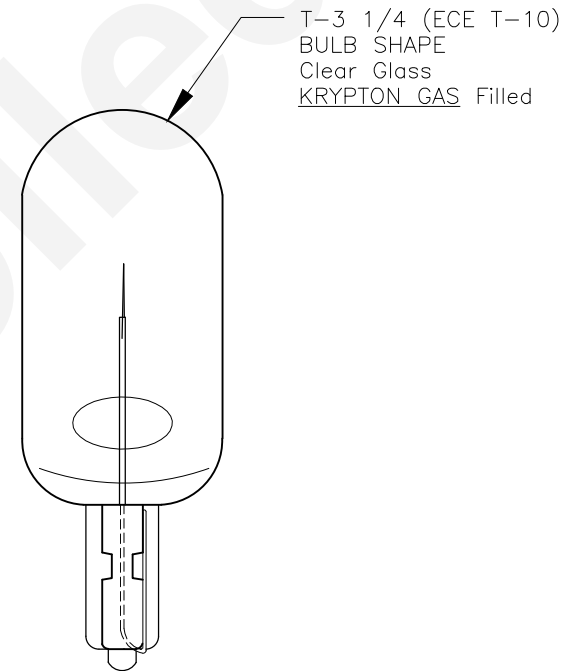


PART NO.	BASE TYPE	DESIGN VOLTS	DESIGN AMPS	MSCD	FILAMENT TYPE	AVERAGE LIFE HOURS
3652	Glass Wedge T-3 1/4 (W2.1X9.5d)	13.5V	0.37±10%	6.0±20%	C-2R	500

REVISIONS			
REV #	DESCRIPTION	DATE	APPROVED
1	ISSUED	05/05/1995	S.L.
2	C-2R FILAMENT	11/25/2008	D.C.
3	LIFE HOURS & REMOVED FILAMENT SUPPORT	11/26/2008	D.C.
4	ADDED 0° VIEW	04/04/2016	R.M.

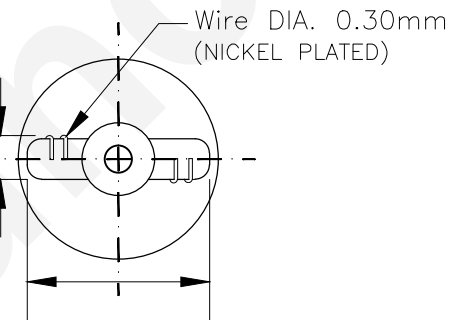


0° VIEW



90° VIEW

T-3 1/4 (ECE T-10)  
BULB SHAPE  
Clear Glass  
KRYPTON GAS Filled



BASE BOTTOM VIEW

1.91mm MIN to 2.41mm MAX  
(MEASURED OVER LEAD WIRE)

Note: Made according to SAE specifications



UNLESS OTHERWISE SPECIFIED: DIMENSIONS ARE IN INCHES TOLERANCES		CEC INDUSTRIES LTD	
DECIMALS	ANGULAR	599 BOND STREET LINCOLNSHIRE, IL 60069	
.XX ± .05	± 0.5°		
.XXX ± .010			
FRACTIONAL	± 1/64		
DRAWN SIDNEY LIU	DATE 05/05/1995	TITLE LIGHT BULB NO. 3652	
CHECKED		SIZE A	REV 4
DESIGN	SCALE	FSCM NO.	DWG NO. 3652
MATERIAL	FILE 3652.pdf	PLOT SCALE	SHEET 1 OF 1
		DRAWING NOT TO SCALE	