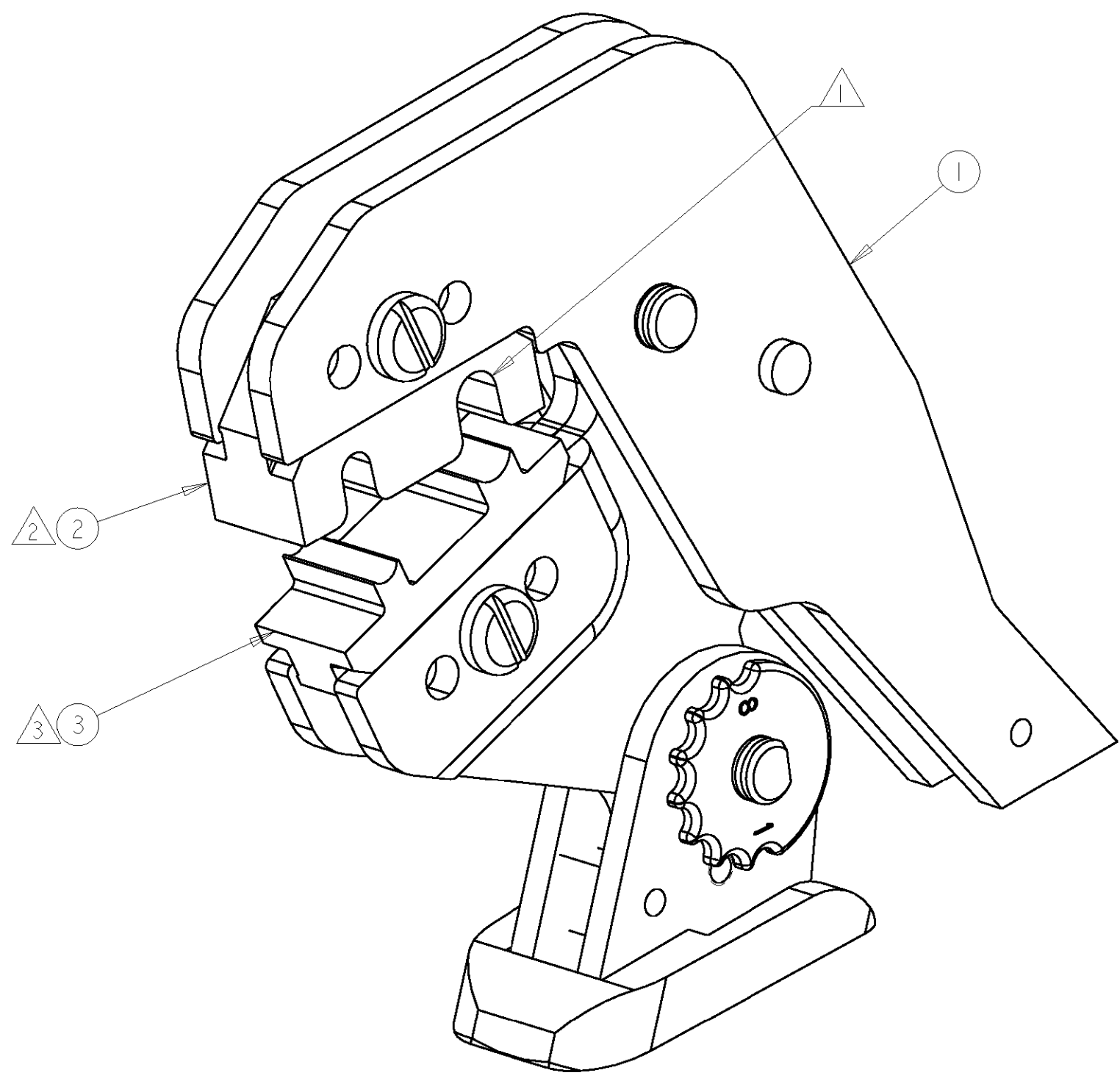


THIS DRAWING IS UNPUBLISHED. RELEASED FOR PUBLICATION 20  
 © COPYRIGHT 20 BY TYCO ELECTRONICS CORPORATION. ALL RIGHTS RESERVED.

LOC	DIST	REVISIONS					
		P	LTR	DESCRIPTION	DATE	DWN	APVD
CE	16		C	REVISED PER 0A00-0130-01	29JAN2002	TA	DK



- ① LARGE CRIMP DIAMETER TO THE BACK OF HANDTOOL.
- ② INDENTER TO BE PLACED IN UPPER STATIONARY JAW.
- ③ ANVIL TO BE PLACED IN LOWER MOVABLE JAW.

QTY	DESCRIPTION	ITEM NO
1	ANVIL, CRIMP TOOL	3
1	INDENTER, CRIMP TOOL	2
1	HANDTOOL, PRO-CRIMPER, BLUE HANDLES	1
-1	DESCRIPTION	ITEM NO

<small>THIS DRAWING IS A CONTROLLED DOCUMENT FOR TYCO ELECTRONICS CORPORATION          IT IS SUBJECT TO CHANGE AND THE CONTROLLING ENGINEERING ORGANIZATION          SHOULD BE CONTACTED FOR THE LATEST REVISION.</small>		DWN 28AUG2000 <b>T. ALEXANDER</b> CHK 29AUG2000 <b>M. HAMONKO</b> APVD 29AUG2000 <b>S. BUCHTER</b>	<b>AMP</b> Tyco Electronics Harrisburg, PA 17105-3608	
DIMENSIONS: INCHES 	TOLERANCES UNLESS OTHERWISE SPECIFIED: 0 PLC ±- 1 PLC ±- 2 PLC ±- 3 PLC ±- 4 PLC ±- ANGLES ±-	PRODUCT SPEC - APPLICATION SPEC - WEIGHT -	NAME <b>HANDTOOL W/DIESET, NEXT GENERATION,          AMP SC/FC, BLUE HANDLES</b>	
MATERIAL -	FINISH -	SIZE A3	CAGE CODE 00779	DRAWING NO C-503911
CUSTOMER DRAWING			SCALE 2:1	SHEET 1 OF 1 REV C