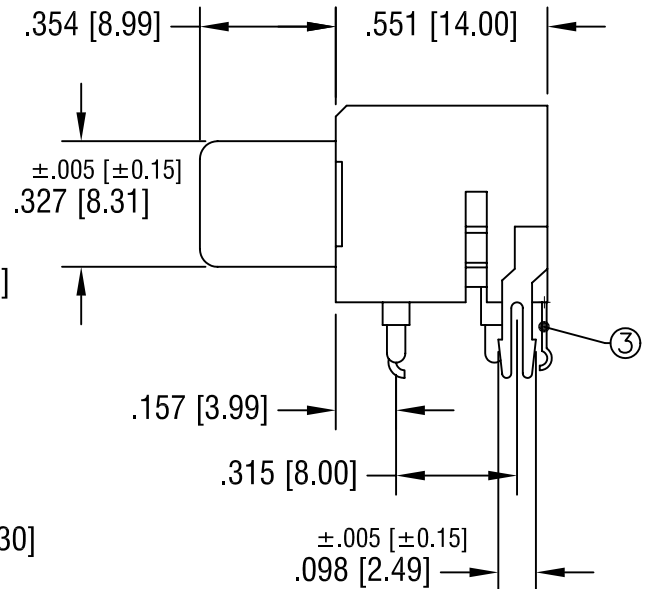
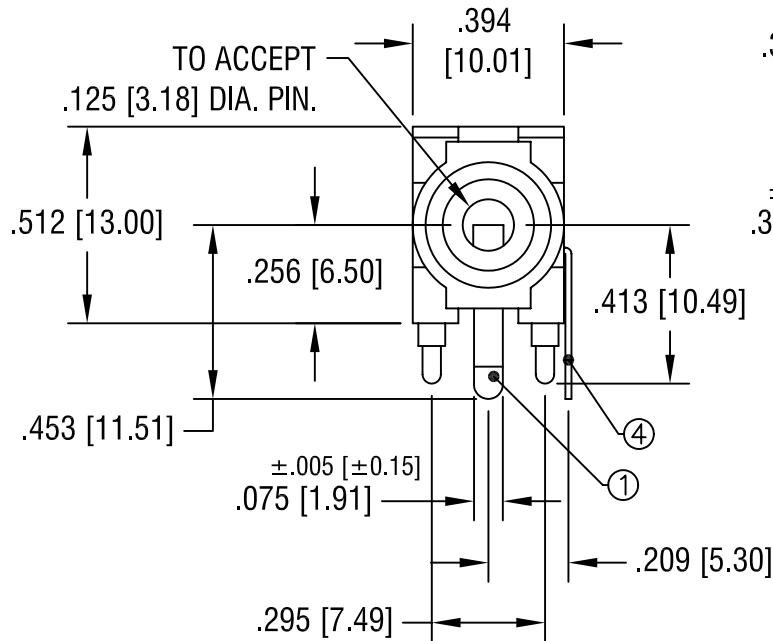
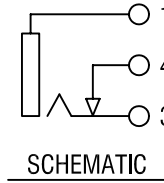
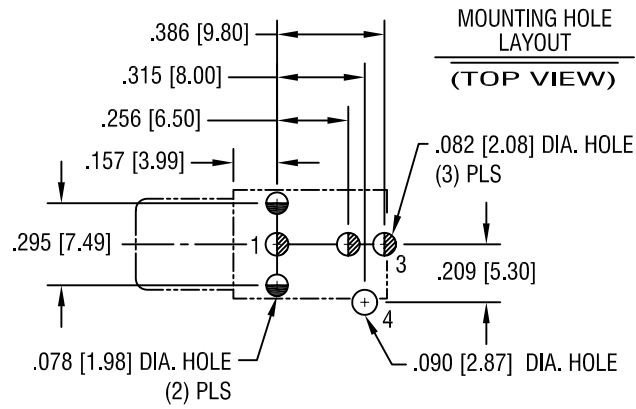


THIS DOCUMENT IS THE PROPERTY OF KEYSTONE ELECTRONICS CORP. AND SHALL NOT BE REPRODUCED, DISTRIBUTED OR USED AS A BASIS FOR MANUFACTURE WITHOUT PRIOR WRITTEN PERMISSION FROM KEYSTONE ELECTRONICS CORP.



NOTES:

HOUSING: PBT

- ① EARTH TERMINAL: .020 [0.5] TH'K BRASS  
NICKEL PLATE
- ③ SPRING: .012 [0.3] TH'K  
PHOSPHOR BRONZE  
SILVER PLATE
- ④ CONTACT: .016 [0.4] TH'K BRASS  
SILVER PLATE

PART NO.	COLOR
970	WHITE
971	RED
972	BLACK
973	YELLOW

4.1.03 CHANGE AS PER ECN 03-026

A

DATE	DESCRIPTION	REV.

<b>KEYSTONE ELECTRONICS CORP.</b>			
ASTORIA, N.Y. 11105-2017			
PART NAME		CLOSED CIRCUIT PC JACK	
MATERIAL		AS NOTED	
FINISH		DRN BY	DATE
AS NOTED		BOONE	1.7.97
		APPD	SCALE
		LN	2X
TOLERANCES	INCH	CODE	DWG NO.
DECIMAL	±.010 [±0.25]	C/M	<b>970-973</b>
ANGULAR	± 1°		
UNLESS OTHERWISE SPECIFIED			