



**ANATECH ELECTRONICS INC**  
RF & Microwave Filters & Products

## 42.5 MHz LC Band Pass Filter

Part Number: AE42.5B6100



### Electrical Specifications

**Center Frequency:** 42.5 MHz

**Bandwidth:** 4 MHz Min.

**Insertion Loss:** 3.0dB Max.

**Return Loss:** 14dB Min.

**Rejection:**  $\geq 70\text{dB}$  @ 27.5 MHz

**Rejection2:**  $\geq 70\text{dB}$  @ 57.5 MHz

### Mechanical

**Connector Type:** SMA (F)

**Dimensions:** 3.75" X 1.0" x 0.5" .

### Environmental

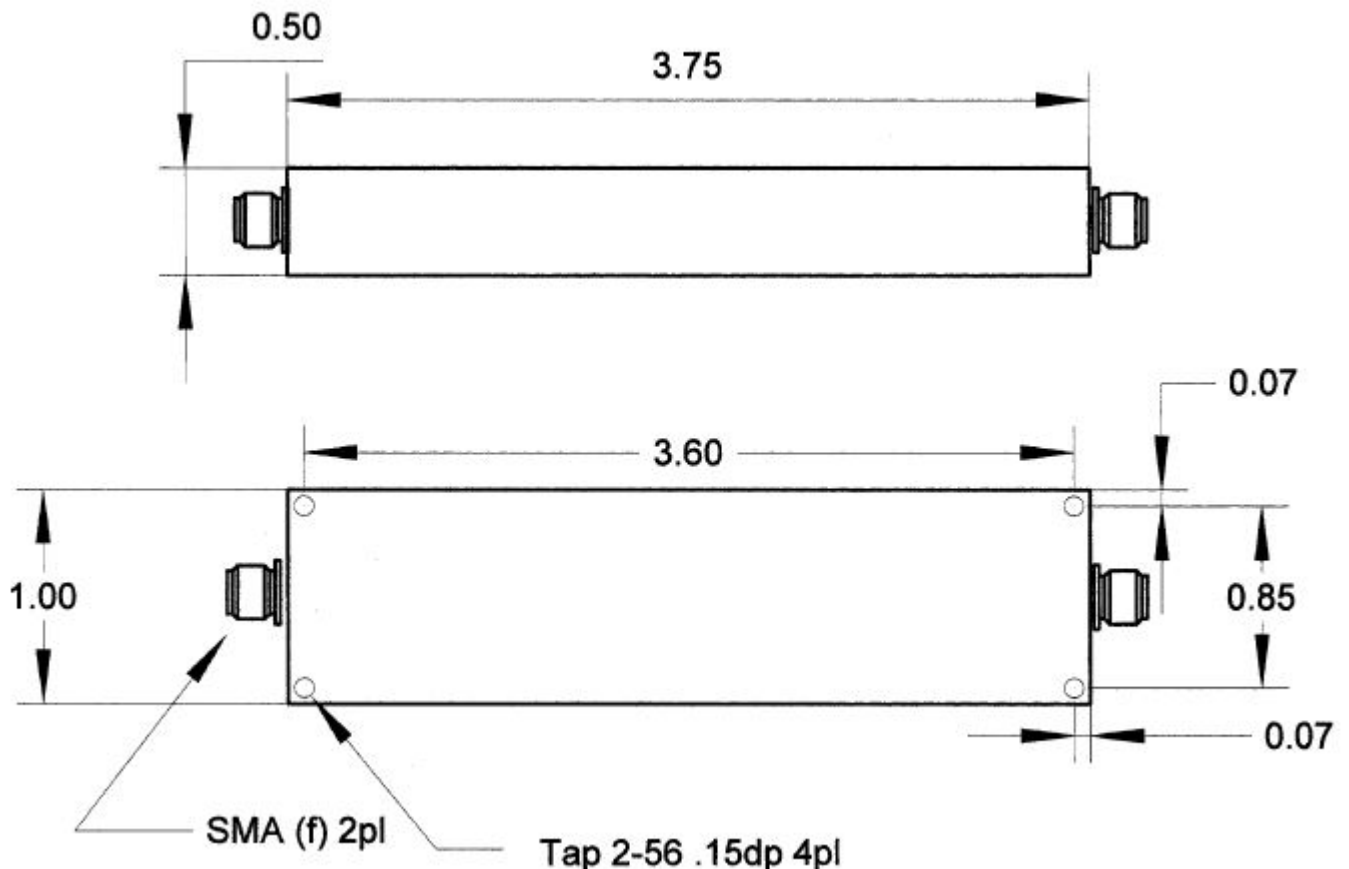
**Operating Temperature:** -25°C to +70°C

**Storage Temperature:** -40°C to +90°C

**Shock:** 10 G. 11ms

**Vibration:** 10 G. 5 to 200Hz

### Outline Drawing:



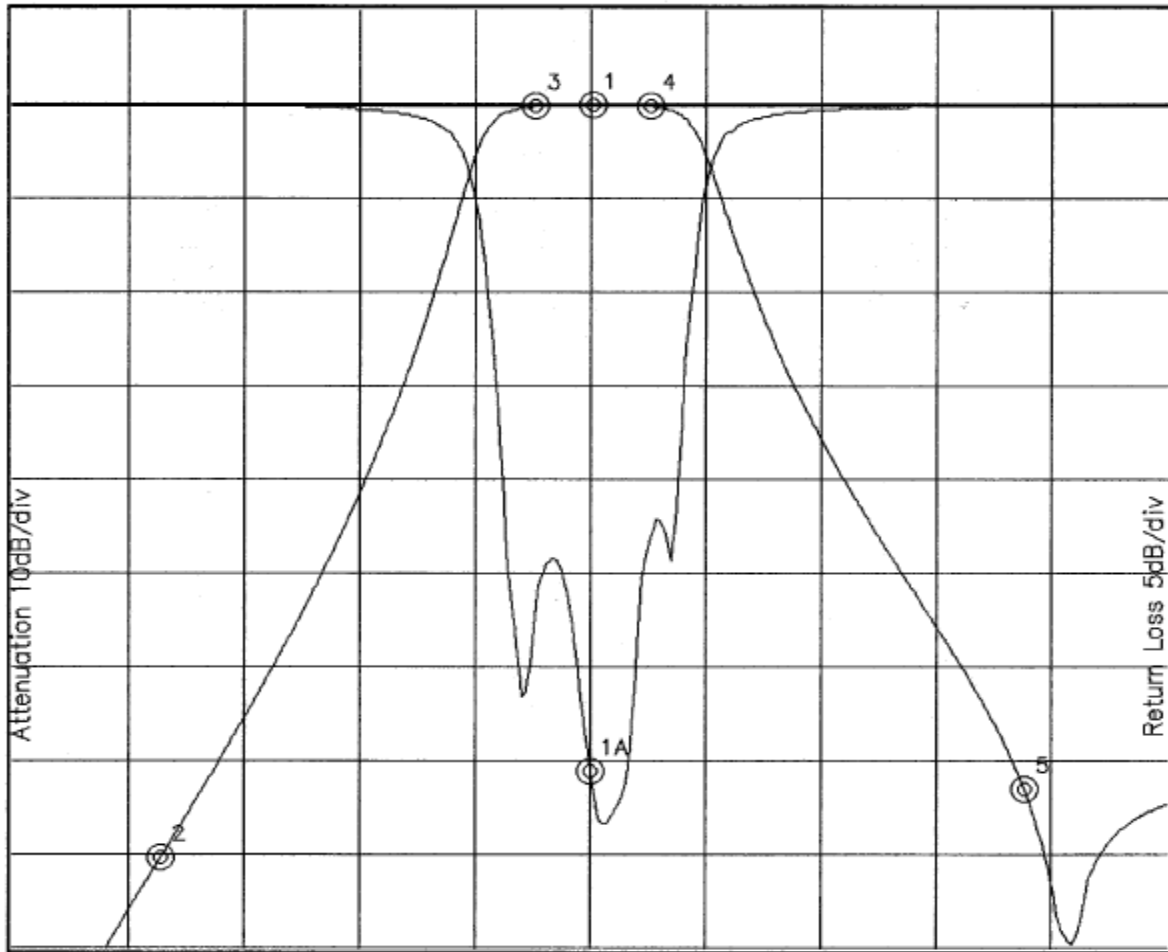


**Response Plot:**

B6100.lad

AUG 31, 2001

Attenuation/Return Loss



Attenuation Start: 22.50MHz Stop: 62.50MHz

Return Loss Start: 22.50MHz Stop: 62.50MHz

Offset -1.7391dB

Marker 1 Freq 42.532MHz Atten -0.036dB  
 Marker 2 Freq 27.540MHz Atten -80.919dB  
 Marker 3 Freq 40.529MHz Atten -0.300dB  
 Marker 4 Freq 44.536MHz Atten -0.299dB  
 Marker 5 Freq 57.524MHz Atten -73.460dB

Marker 1A Freq 42.468MHz Ret Loss -35.772dB