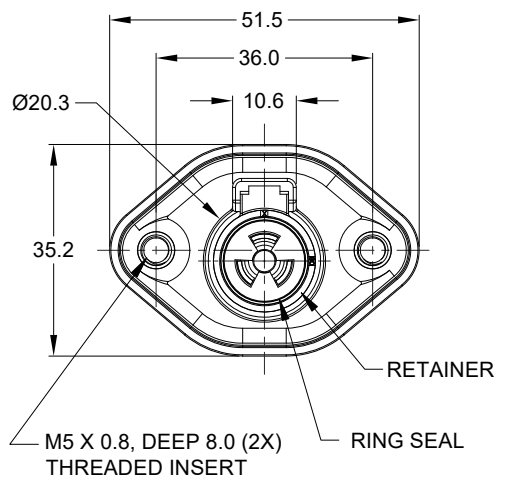
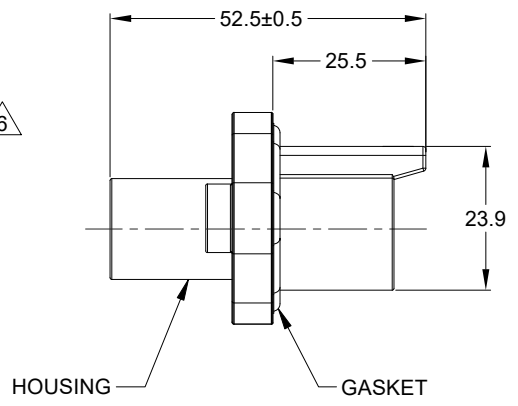
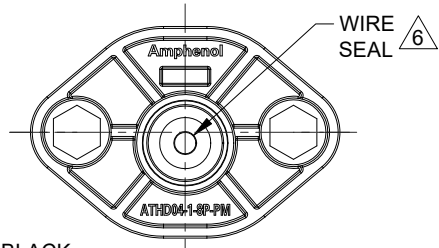
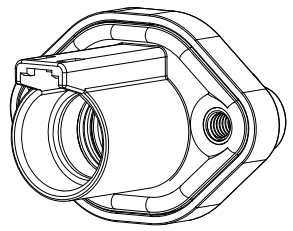


| REVISIONS | | | | | |
|-----------|-----|------------------|---------|------|-------|
| REV | ECO | DESCRIPTION | DATE | BY | APPR |
| A1 | - | RELEASED DRAWING | 10DEC21 | VITO | TOMMY |



NOTES: UNLESS OTHERWISE SPECIFIED

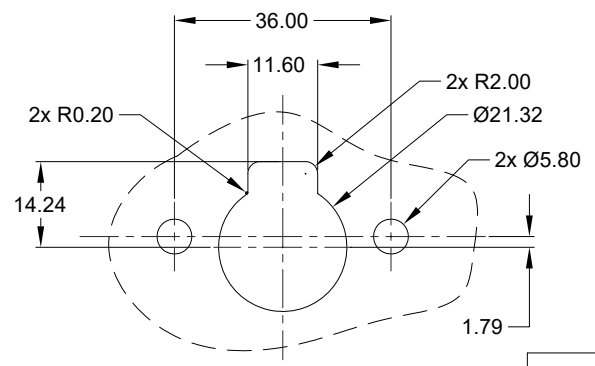
- MATERIAL:
HOUSING, RETAINER: THERMOPLASTIC; COLOR: BLACK
RING SEAL, WIRE SEAL, GASKET: SILICONE RUBBER; COLOR: RED
- MODIFICAIONS: FRONT FLANGE MOUNT;
THREADED INSERT
- SPECIFICATIONS:
 - CURRENT RATING: 60 AMPS
 - OPERATING TEMPERATURE: -55°C TO +125°C
 - DIELECTRIC WITHSTANDING VOLTAGE: LESS THAN 2 MILLIAMPS CURRENT LEAKAGE @ 1500 VOLTS AC.
 - INSULATION RESISTANCE: 1000 MEGOHMS MIN @ 25°C.
 - MOISTURE RESISTANCE:
IP68(IM OF WATER FOR A PERIOD OF 24 HOURS, MATED CONDITION);
IP69K (MATED CONDITION)
 - MATING CYCLE DURABILITY: 100 CYCLES
 - RoHS COMPLIANT

4. MATING PART: ATHD06-1-8S* PLUG (* = MODIFICATIONS)

5. ALL DIMENSIONS ARE FOR REFERENCE USE ONLY.

6. CONTACT SIZE AND REAR SEAL WIRE RANGE:

| CONTACT SIZE | MIN. INSUL O.D. | MAX. INSUL O.D. | TYPICAL WIRE RANGE |
|--------------|-------------------|-------------------|---------------------------------------|
| 08 | 4.83 mm (.190 in) | 6.09 mm (.240 in) | 8 - 10 AWG (8.0-5.0 mm ²) |



RECOMMENDED PANEL CUTOUT

| | | |
|------------------|-------------|------|
| ATHD04-1-8P-PM05 | DESCRIPTION | ITEM |
| PART NUMBER | | |

| QUANTITY | MATERIALS LIST | | Amphenol | | |
|--|--|----------------------|--|--------------|---------|
| UNLESS OTHERWISE SPECIFIED 1) All dimensions are in metric(mm). 2) Tolerance are as follows: 1 PL DEC ±0.30 Fractions ±1/64 2 PL DEC ±0.15 Angles ±1° 3 PL DEC ±0.08 3) Note reference = | SIGNATURES | DATE | Sine Systems - www.amphenol-sine.com 44724 Morley Drive Clinton Township, MI 48036 | | |
| DRAWN: VITOLJ | 10DEC21 | CHECKED: SULLENZHANG | | | 13DEC21 |
| ENGINEER: | APPROVAL: TOMMY XIE | 14DEC21 | | | |
| MATERIAL SPECIFICATIONS: | CUSTOMER: | | | | |
| PROCESS SPECIFICATIONS: | THIS DRAWING IS SUPPLIED FOR INFORMATION ONLY. DESIGN FEATURES, SPECIFICATIONS AND PERFORMANCE DATA SHOWN HEREON ARE THE PROPERTY OF THE AMPHENOL CORPORATION. NO RIGHTS OF REPRODUCTION ARE IMPLIED. ALL DIMENSIONS ARE SUBJECT TO NORMAL MANUFACTURING VARIATIONS. | | SIZE: B | TYPE: C- | |
| NEXT ASSY: | SCALE: NONE | | DWG NO: ATHD04-1-8P-PM05 | REVISION: A1 | |

TITLE: 1 POS, RECEPTACLE, PIN, SIZE 8, ATHD SERIES, FLANGE MOUNT, THREADED INSERT
DWG NO: ATHD04-1-8P-PM05
REV: A1
SH: 1
OF: 1