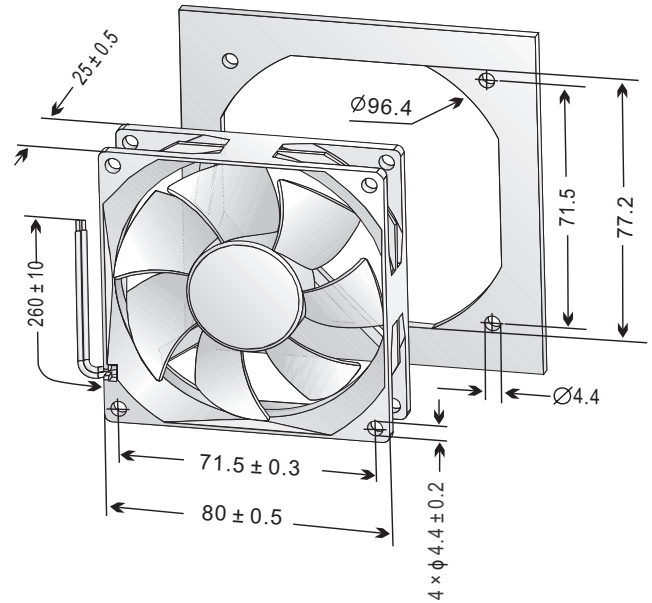


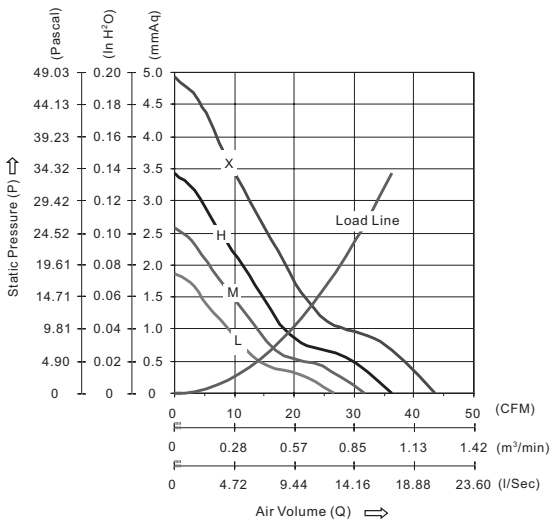
# C-SERIES

## 80 x 80 x 25 mm

Frame: Thermoplastic PBT (GF 30%), UL94-V0  
 Impeller: Thermoplastic PBT (GF 15%), UL94-V0  
 Bearing System: Ball Bearing or Sleeve Bearing  
 Lead Wire: UL 1007, AWG 24 / 260 mm, Red (+), Black (-)  
 Protection: Locked rotor protected for minimum 72 hours



### PQ GRAPH (AT RATED VOLTAGE)



### AVAILABLE FUNCTIONS

1a. IR	1b. AS	1c. MS	2a. FG	2b. RD	2c. RDb	2d. LD	3. SG/PWM
	●		●	●	●		
4. OV	5a. TPWM	5b. RPWM	6. CL	7. CS	8a. VPWM	8b. IPWM	8c. PPWM

Part Number	Voltage (VDC)	Current (Amp.)	Power (Watts)	Speed (RPM)	Air Flow (Q)		Pressure (P)		Noise (dBA)	Unit Weight (g/CTN)
					(CFM)	(m³/min)	(mmAq)	(In H <sub>2</sub> O)		
C8025X12BPLBx-7	12 (07~14)	0.202	2.42	3600	43.49	1.232	4.94	0.195	37.85	83 g (135 pcs)
* C8025H12BPLBx-7		0.129	1.55	3000	36.26	1.027	3.46	0.136	32.11	
C8025M12BPLBx-7		0.098	1.18	2600	31.64	0.896	2.61	0.103	28.56	
C8025L12BPLBx-7		0.070	0.84	2200	26.63	0.754	1.87	0.074	23.79	
C8025X24BPLBx-7	24 (15~27)	0.105	2.53	3600	43.49	1.232	4.94	0.195	37.85	83 g (135 pcs)
* C8025H24BPLBx-7		0.067	1.60	3000	36.26	1.027	3.46	0.136	32.11	
C8025M24BPLBx-7		0.055	1.32	2600	31.64	0.896	2.61	0.103	28.56	
C8025L24BPLBx-7		0.042	1.01	2200	26.63	0.754	1.87	0.074	23.79	

\* small quantities available ex stock

- All MICRONEL fans listed here refer to double ball bearing types; Sleeve bearing types may consume about 10% more power for the same speed.
- Noise Measurements are taken with background noise of 16.8 dBA.
- Please see «Function Legend» for explanation of each function.
- Specifications are subject to change without notice.