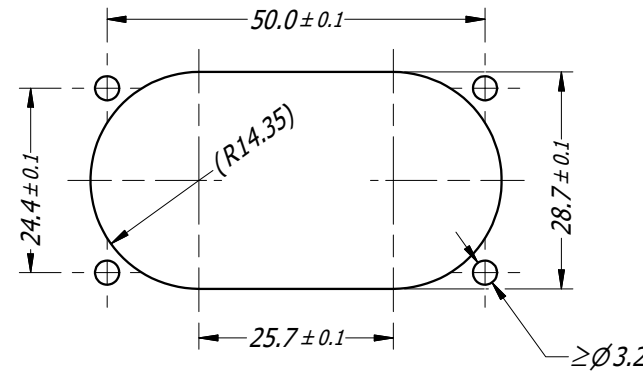
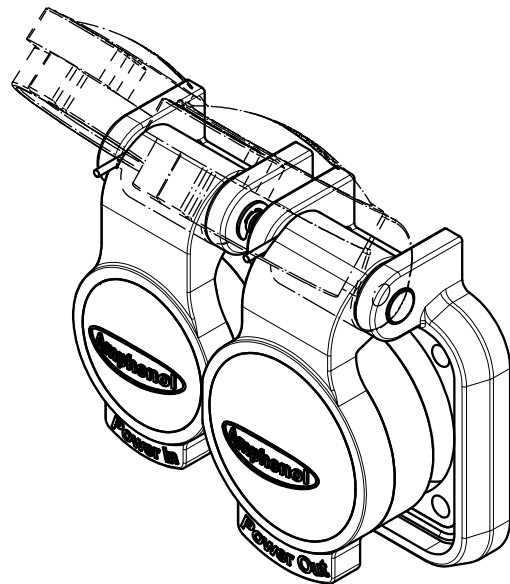
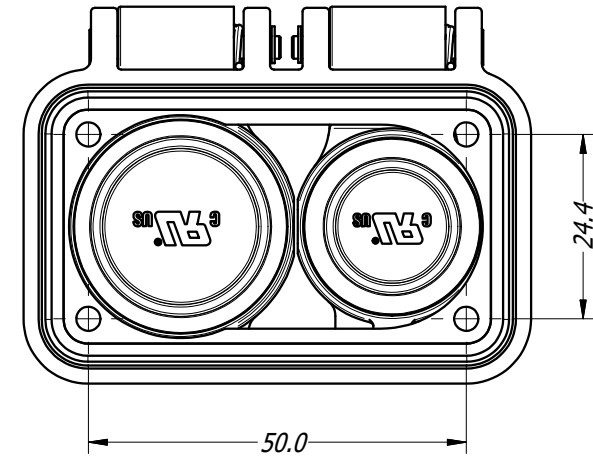
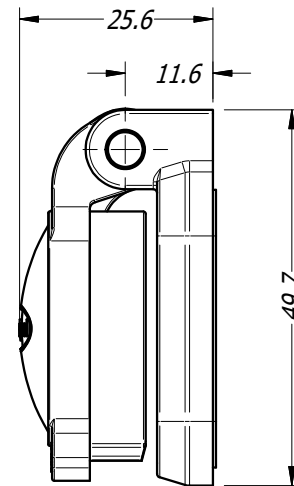
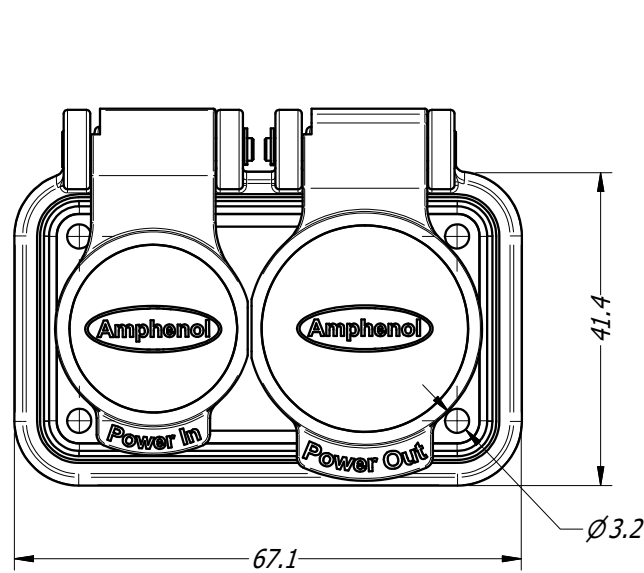


CAUS



PANEL CUTOUT

- NOTES**
 - USE #4 OR M3 SCREW.
 - TIGHTEN TO 0.4 N-m (3.5 lb-in)

UNLESS OTHERWISE SPECIFIED TOLERANCE TO BE		THIS DOCUMENT IS THE PROPERTY OF AMPHENOL AUSTRALIA PTY. LTD. NO PART THEREOF MAY BE REPRODUCED AND USED WITHOUT THE PRIOR WRITTEN CONSENT OF THE OWNER.				Amphenol Amphenol Australia Pty.Ltd, 22 Industry Blvd Carrum Downs, VIC 3201		
LINEAR		MATERIAL:		DRN: T.N	DATE: 26/07/19	TITLE: PROTECTIVE CAP HPT SERIES DUAL P/M SPRING LOADED	PART No: HPT-CAPSD	REV: 1
X ± 0.5	X' ± 1	FINISH:		CKD: P.M	DATE: 26/07/19	DRAWING No. 55011286-000-4	SHEET 4/4	
X.X ± 0.1	X.X' ± 30'	DO NOT SCALE		APP'D: P.M	DATE: 26/07/19	CB4.17.F1		
X.XX ± 0.05	X.XX" ± 15'	DIMENSIONS IN MILLIMETRES		SCALE: 1:1	SIZE: A4			

