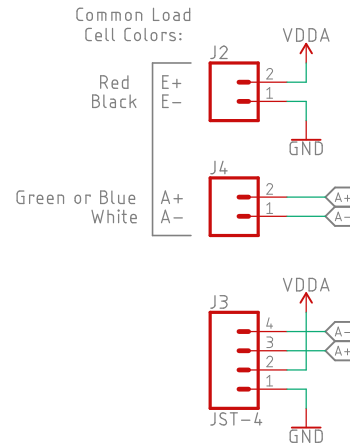
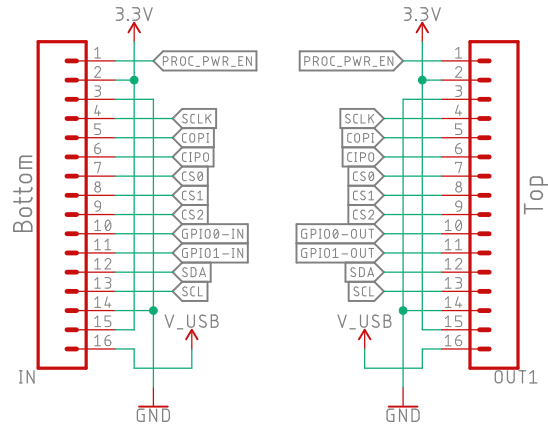
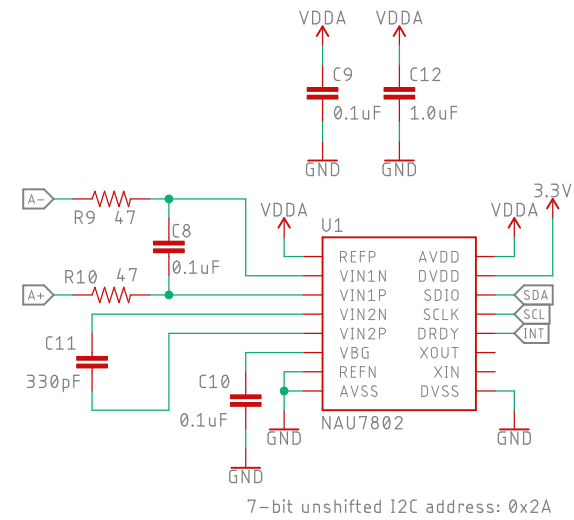


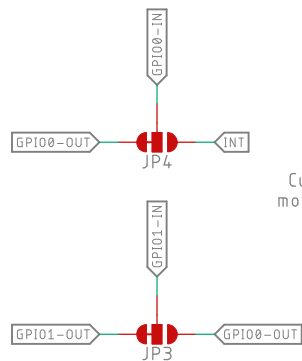
smôl Connectors



NAU7802

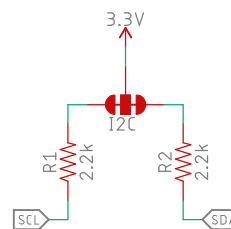


Enable INT



Cut both jumpers and move over to route INT back to controller

I2C Pullups



Cut jumper to remove resistors from I2C bus



smôl



open hardware

Special Instructions

Released under the Creative Commons Attribution Share-Alike 4.0 License
<https://creativecommons.org/licenses/by-sa/4.0/>



TITLE: SparkX_smol_Scale

Design by: N. Seidle

REV: x01

Date: 08/12/2021 13:39

Sheet: 1/1