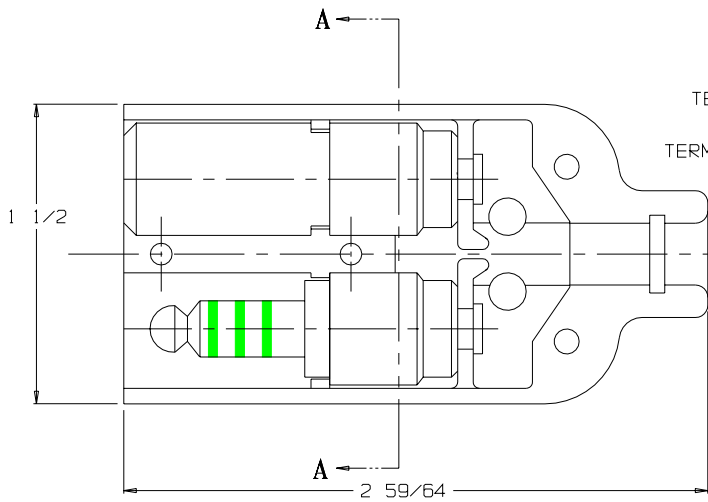
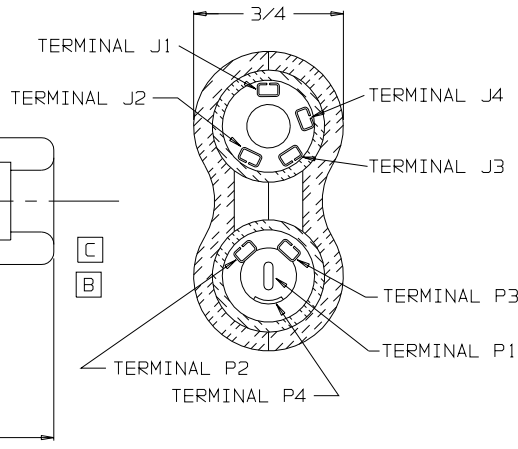


FOR REFERENCE ONLY

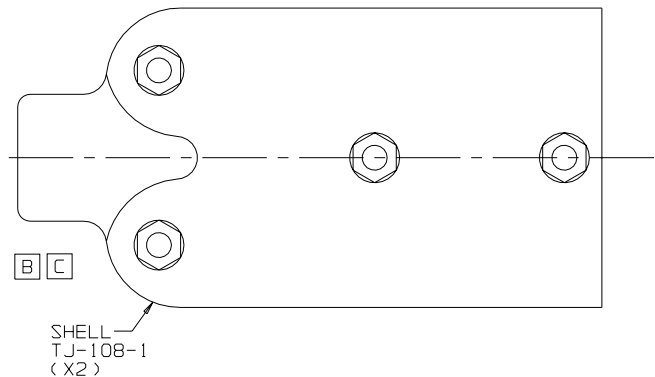
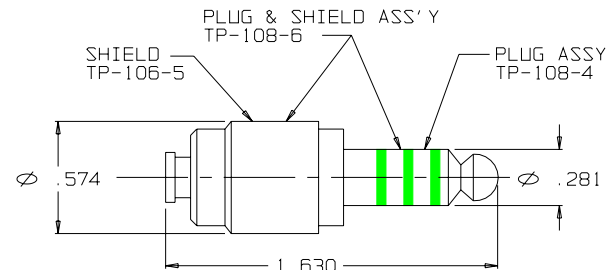
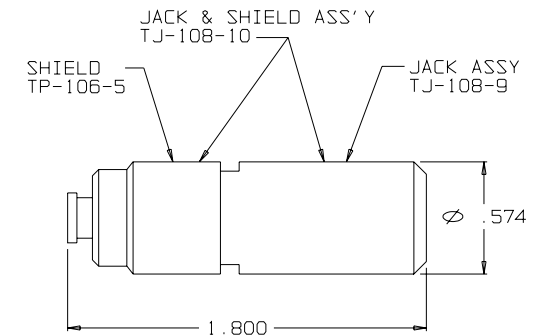
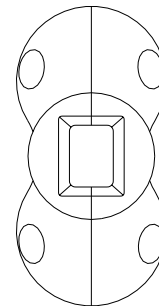
C TJ-108



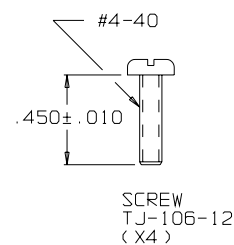
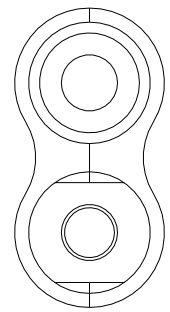
VIEW WITH HALF SHELL REMOVED



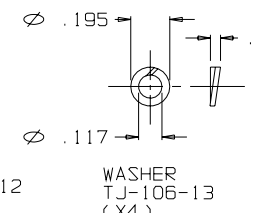
SECTION A-A



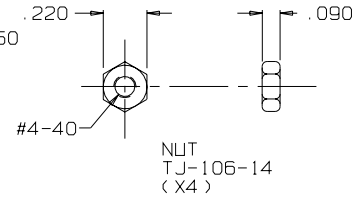
SHELL TJ-108-1 (X2)



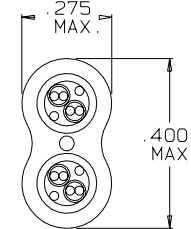
SCREW TJ-106-12 (X4)



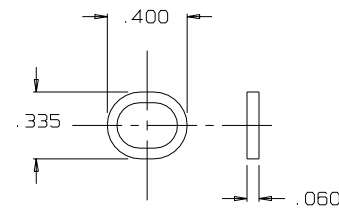
WASHER TJ-106-13 (X4)



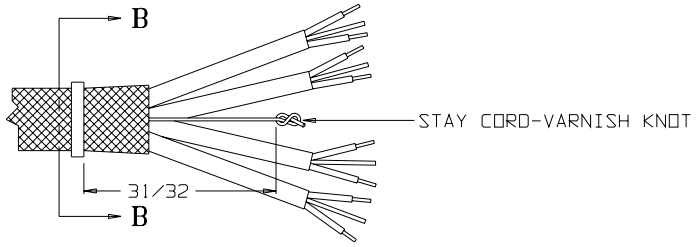
NUT TJ-106-14 (X4)



SECTION B-B
STRAIN RELIEF CLAMP TJ-106-10A AFTER CRIMPING SCALE: 4:1



RING, STRAIN RELIEF TJ-106-10A



STAY CORD-VARNISH KNOT

THIS DOCUMENT CONTAINS PROPRIETARY INFORMATION OF NEXUS, INCORPORATED AND SUCH INFORMATION MAY NOT BE DISCLOSED TO OTHERS FOR ANY PURPOSE OR USED FOR ANY PURPOSE WITHOUT THE WRITTEN CONSENT OF NEXUS.

C		UPDATE TO SHOW RE-DESIGNED CABLE ENTRY	6/30/06	EWT	DWN. BY M. N. F.	DATE 9/14/95	MATERIAL _____
B		UPDATE TO SHOW OLD CABLE ENTRY	6/28/06	EWT	CHECKED BY L. SMITH	DATE 3/14/96	FINISH _____
A					L. SMITH	DATE 3/14/96	WEIGHT _____ SCALE 2:1
UNLESS OTHERWISE SPECIFIED DIMENSIONS ARE IN INCHES TOLERANCES ON FRACTIONS DECIMALS ANGLES ± 1/64 ± .005 —					TITLE JACK-TELEPHONE-BIAXIAL SHIELDED (8) CONDUCTOR		DO NOT SCALE DWG. SHEET 1 OF 1
							SIZE C
							DWG. NO. TJ-108