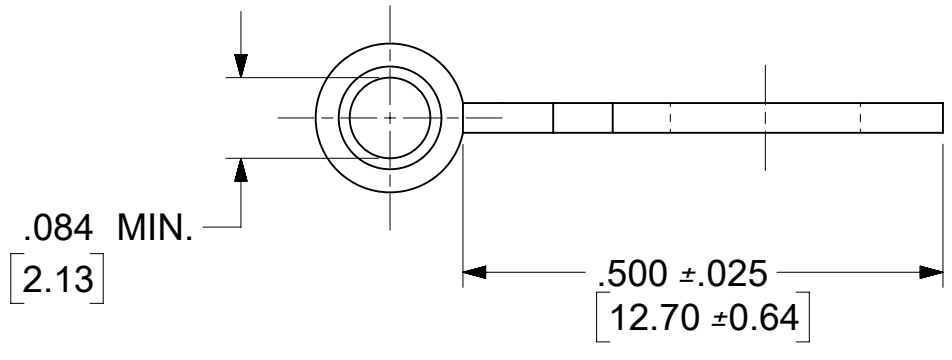
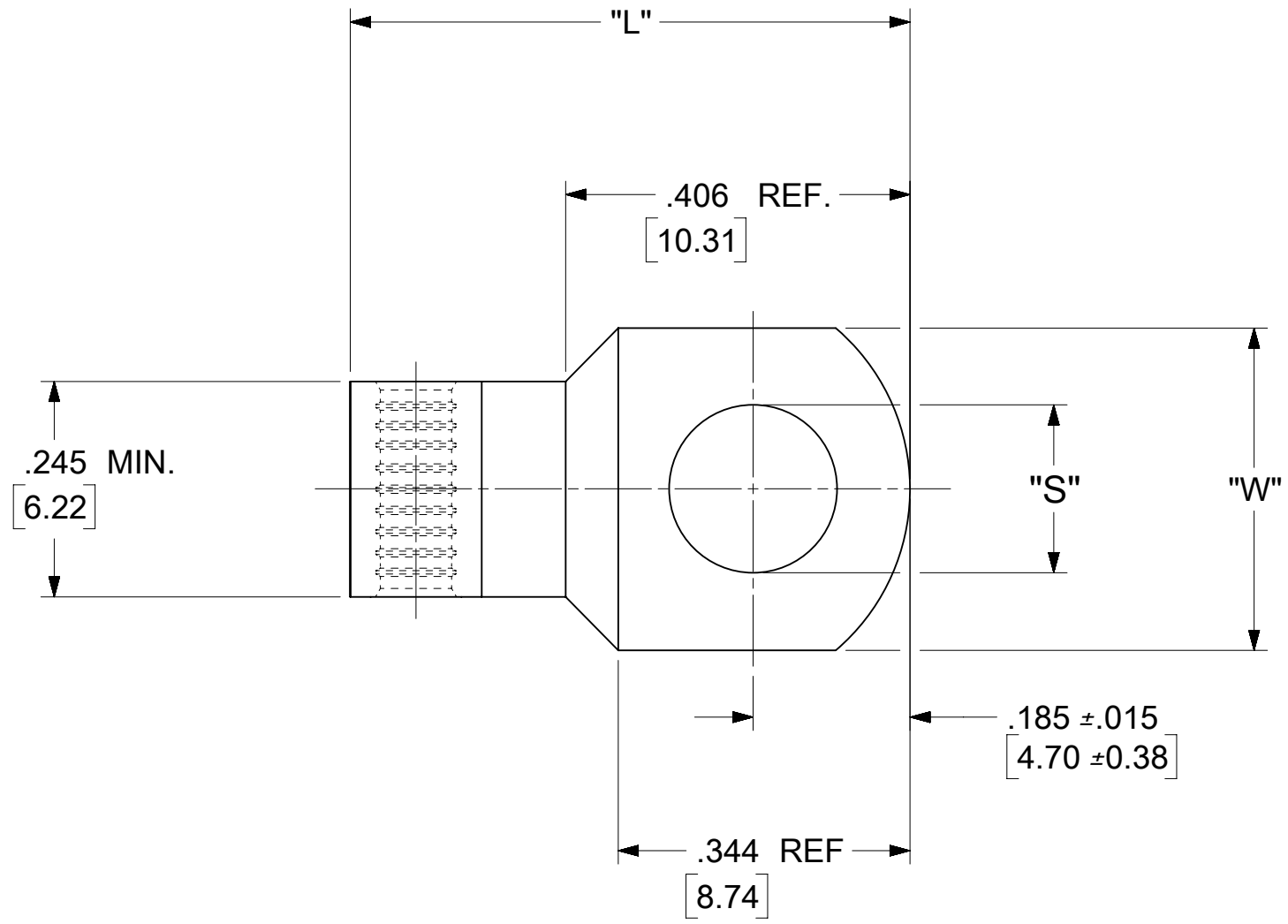


LOOSE PIECE		SPECIFICATIONS			
MATERIAL NUMBER	ENGINEERING NUMBER	STUD SIZE	"S" ±.005 [0.13]	"W" ±.010 [0.25]	"L" MAX.
190410009	B-143-08	8	.173 [4.39]	.380 [9.65]	.680 [17.27]
190410012	B-143-10	10	.198 [5.03]		
190410032	B-143-14	14	.265 [6.73]		



- NOTES:
- MATERIAL: COPPER ( STOCK THICKNESS .031±.001 [0.79] )  
PLATING: ELECTRO-TIN (.0003 MIN).
  - WIRE SIZE: 16 - 14 AWG  
1.0 - 2.5 MM<sup>2</sup>
  - "UL" LISTING #E32244  
"CSA" LISTING #18689
  - ALL DIMENSIONS IN INCHES/[MM].
  - PARTS ARE ROHS COMPLIANT.
  - DIMS. SHOWN ARE FOR REFERENCE ONLY.

SYMBOLS	THIS DRAWING CONTAINS INFORMATION THAT IS PROPRIETARY TO MOLEX ELECTRONIC TECHNOLOGIES, LLC AND SHOULD NOT BE USED WITHOUT WRITTEN PERMISSION	
	DIMENSION UNITS	SCALE
▽ = 0	INCH/MM	NTS
▽ = 0	GENERAL TOLERANCES (UNLESS SPECIFIED)	
▽ = 0	MM	INCH
▽ = 0	4 PLACES	± --- ± ---
▽ = 0	3 PLACES	± --- ± 0.005
▽ = 0	2 PLACES	± 0.13 ± 0.01
▽ = 0	1 PLACE	± 0.25 ± ---
▽ = 0	0 PLACES	± --- ± ---
▽ = 0	ANGULAR TOL	± 0.5°
▽ = 0	DRAFT WHERE APPLICABLE MUST REMAIN WITHIN DIMENSIONS	THIRD ANGLE PROJECTION
▽ = 0		DRAWING
▽ = 0		SERIES

CURRENT REV DESC:		
EC NO: 626470	DRWN: ABENJAMINLW	2019/09/18
CHK'D: GROJAS01	APPR: JMACNEIL	2019/11/04
INITIAL REVISION:		
DRWN: KO		1984/10/24
APPR:		

molex			
FLAG RING TONGUE TERMINAL KRIMPTITE			
PRODUCT CUSTOMER DRAWING			
DOCUMENT NUMBER	DOC TYPE	DOC PART	REVISION
BCD10701	PSD	001	A
MATERIAL NUMBER	CUSTOMER	SHEET NUMBER	
SEE TABLE	GENERAL MARKET	1 OF 1	