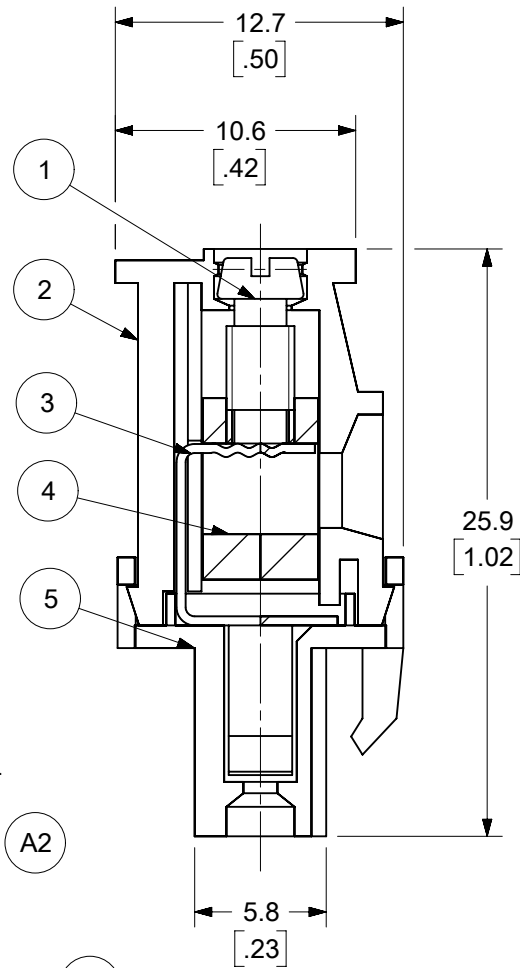


PCB LAYOUT

A2



A2

A2

SPECIFICATIONS:

1. MATERIAL:

- (1). M3 CLAMP SCREW: ZINC PLATED STEEL
- (2). BODY: PA66, UL94-V0
- (3). TERMINAL: TIN PLATED COPPER ALLOY
- (4). CAGE: NICKEL PLATED BRASS
- (5). COVER: PA66, UL94-V0
- (6). M3 MOUNTING SCREW: ZINC PLATED STEEL

2. WIRE RANGE: 12-30AWG

3. ELECTRICAL RATING: 300V, 18A PER UL

4. WIRE STRIP LENGTH: 5.0mm

5. OPERATING TEMPERATURE: -40°C to +105°C.

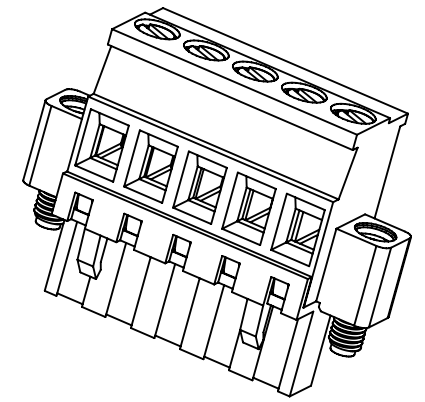
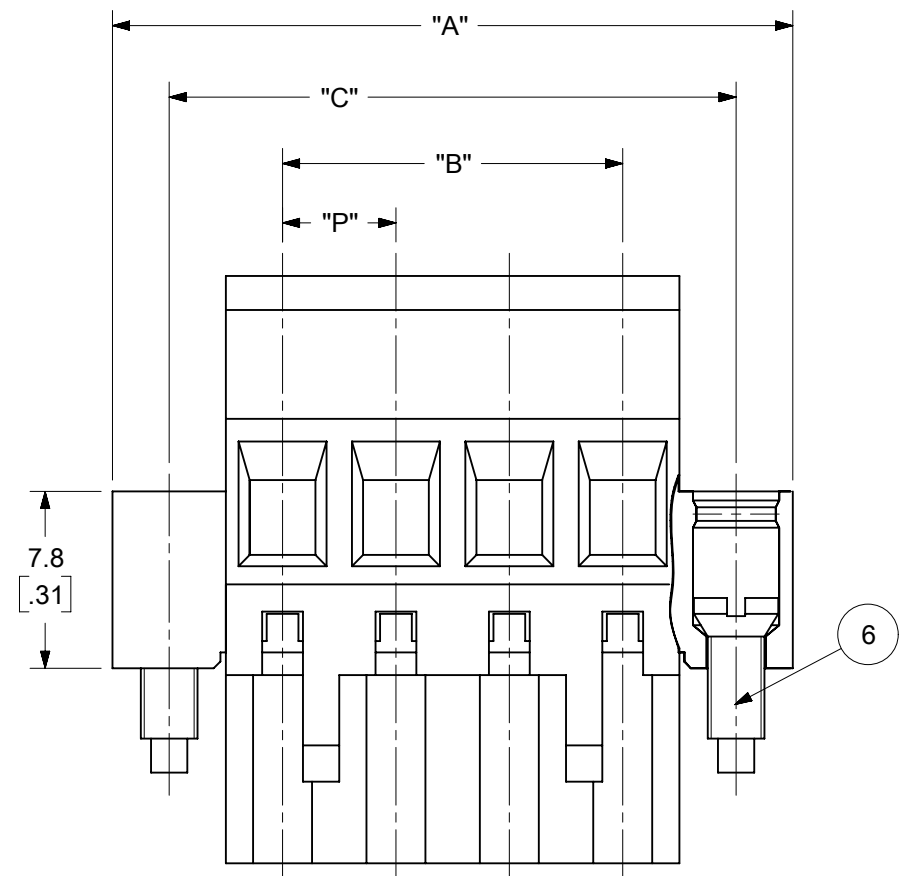
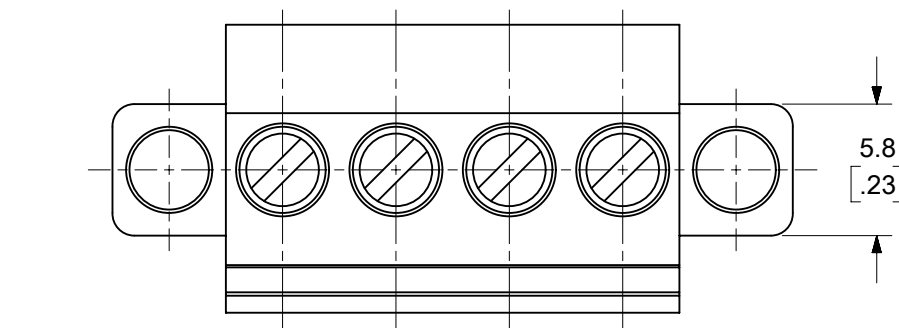
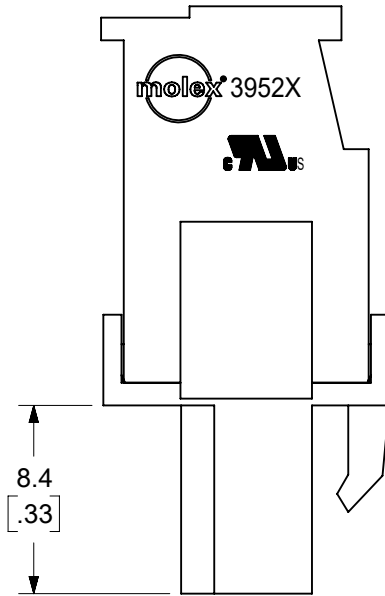
6. MAX TORQUE: 5 IN-LBS.

7. INSULATION RESISTANCE: DC 500V, 500MΩ.

8. DIELECTRIC WITHSTAND: AC 2500V FOR 1 MINUTE.

9. BREAKDOWN VOLTAGE : 4000V.

10. CONTACT RESISTANCE: <10 milliohms



TOLERANCES			
MM	TOL	INCH	TOL
0-6	±0.25	0-.24	±.010
>6-30	±0.40	>.24-1.18	±.016
>30-120	±0.50	>1.18-4.76	±.020
>120	±0.80	>4.76	±.031

FUNCTIONAL SYMBOLS		THIS DRAWING CONTAINS INFORMATION THAT IS PROPRIETARY TO MOLEX ELECTRONIC TECHNOLOGIES, LLC AND SHOULD NOT BE USED WITHOUT WRITTEN PERMISSION			
DIMENSION UNITS		SCALE			
MM/INCH		3:1		<p>5.0MM, EURO PLUG, VERTICAL, FRONT WIRE WITH MOUNTING ENDS</p>	
GENERAL TOLERANCES (UNLESS SPECIFIED)					
CURRENT REV DESC: MIGRATED TO ECTR/NX. REAR ENTRY CHANGED TO FRONT WIRE ENTRY IN TITLE BLOCK. ADDED PCB LAYOUT. MODIFIED NOTES.REMOVED CSA LOGO		EC NO: 719296		PRODUCT CUSTOMER DRAWING	
DRWN: ABENJAMINLW		2021/07/12		DOCUMENT NUMBER	
CHK'D: DACHAMMER		2022/08/25		SD-39527-001	
APPR: JFMURPHY		2022/09/23		DOC TYPE DOC PART REVISION	
INITIAL REVISION:		2006/03/23		PSD 001 A2	
DRWN: CYORK		2006/03/24		MATERIAL NUMBER	
APPR: RDEROSS		2006/03/24		CUSTOMER	
DRAFT WHERE APPLICABLE MUST REMAIN WITHIN DIMENSIONS		THIRD ANGLE PROJECTION		SHEET NUMBER	
DRAWING		SERIES		1 OF 2	
B-SIZE		39527		SEE SHEET-2	
		GENERAL MARKET			

