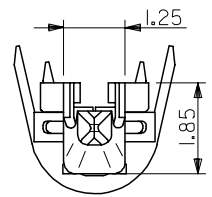
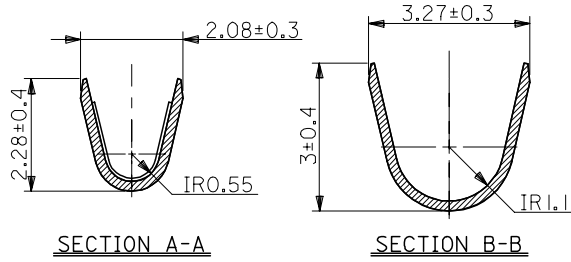
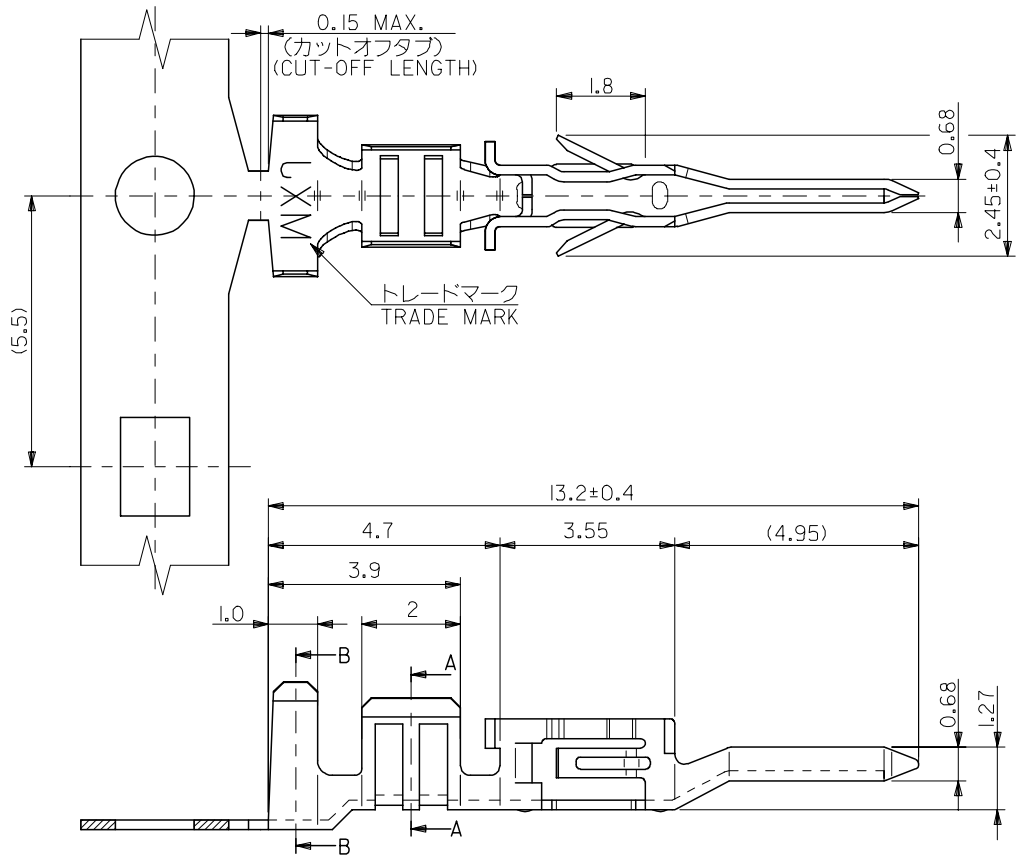


10 9 8 7 6 5 4 3 2 1

F
E
D
C
B
A



注記
NOTES

1. 材質
MATERIAL
りん青銅 (板厚: 0.2)
PHOSPHOR BRONZE (THICKNESS : 0.2)
2. メッキ仕様
TERMINAL PLATING
接点部 : 金メッキ 0.25 μm MIN.
CONTACT AREA : GOLD 0.25 μm MIN.
圧着部 : 錫メッキ 1.0 μm MIN.
CRIMP AREA : TIN 1.0 μm MIN.
下地メッキ : ニッケルメッキ 2 μm MIN.
UNDER PLATE : NICKEL 2 μm MIN.
3. 適用電線 : UL 1007 , AWG #18~22
APPLICABLE WIRE RANGE : UL 1007 , AWG #18~22
4. 被覆外径 : φ2.2 MAX.
INSULATION EXTERNAL DIA : φ2.2 MAX.
5. 適用ハウジング : 51233-**** , 51234-****
APPLICABLE HOUSING : 51233-**** , 51234-****

バラ状 LOOSE	56119-8328	56119-8***
連鎖状 CHAIN	56119-8228	
端子形状 TERMINAL CONFIGURATION	MATERIAL No.	MODEL No.

RELEASED EC NO: J2005-2545 DRWN: YSUGIURA01 2005/03/04 CHKD: MTANAKA 2005/03/07 APPR: NUKITA 2005/03/15	GENERAL TOLERANCES (UNLESS SPECIFIED)		DIMENSION STYLE MM ONLY		SCALE ---	DESIGN UNITS METRIC	THIRD ANGLE PROJECTION	
	10 UNDER	±0.2	DRAWN BY YSUGIURA	DATE 2005/03/02	TITLE COMPACT ROBOT CONN. (CRC) CRIMP PIN -LEAD FREE-			
	10 OVER 30 UNDER	±0.25	CHECKED BY MTANAKA	DATE 2005/03/02	MOLEX INCORPORATED			
	30 OVER	±0.3	APPROVED BY NUKITA	DATE 2005/03/02	DOCUMENT NO. SD-56119-004			
	ANGULAR	±3 °	MATERIAL NO. SEE CHART		SHEET NO. 1 OF 1			
0	DRAFT WHERE APPLICABLE MUST REMAIN WITHIN DIMENSIONS		SIZE A3		THIS DRAWING CONTAINS INFORMATION THAT IS PROPRIETARY TO MOLEX INCORPORATED AND SHOULD NOT BE USED WITHOUT WRITTEN PERMISSION			