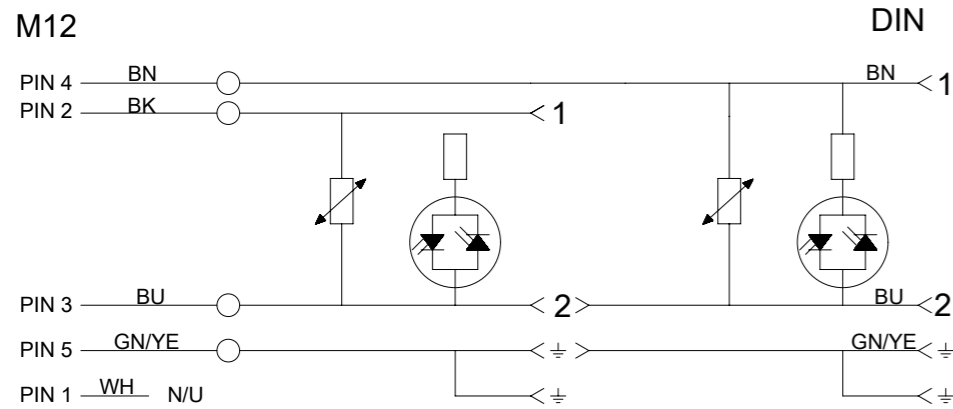
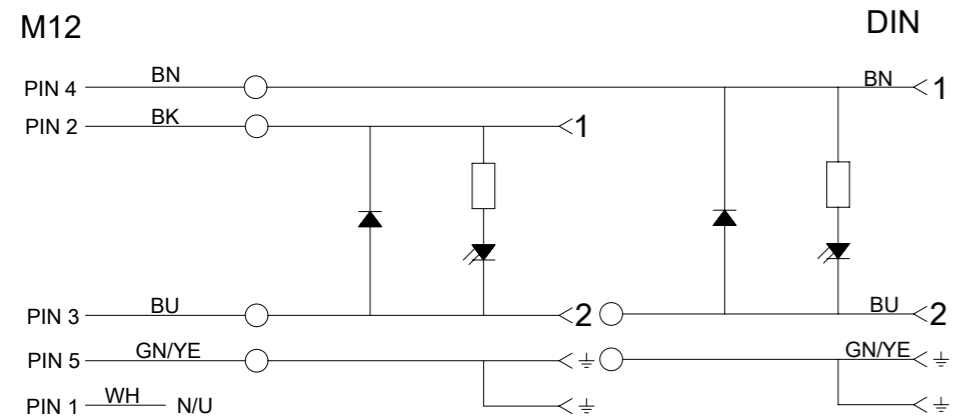


VIEW FROM FRONT SIDE
SCALE 2:1

ELECTRICAL DIAGRAM C4

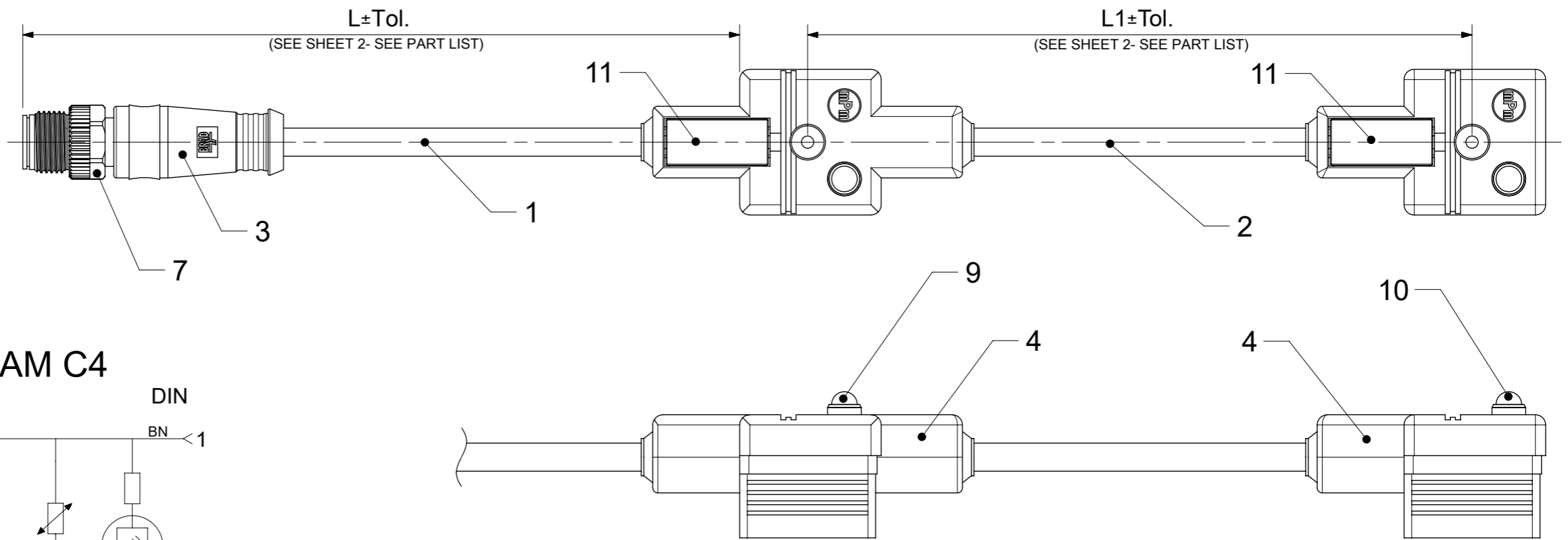
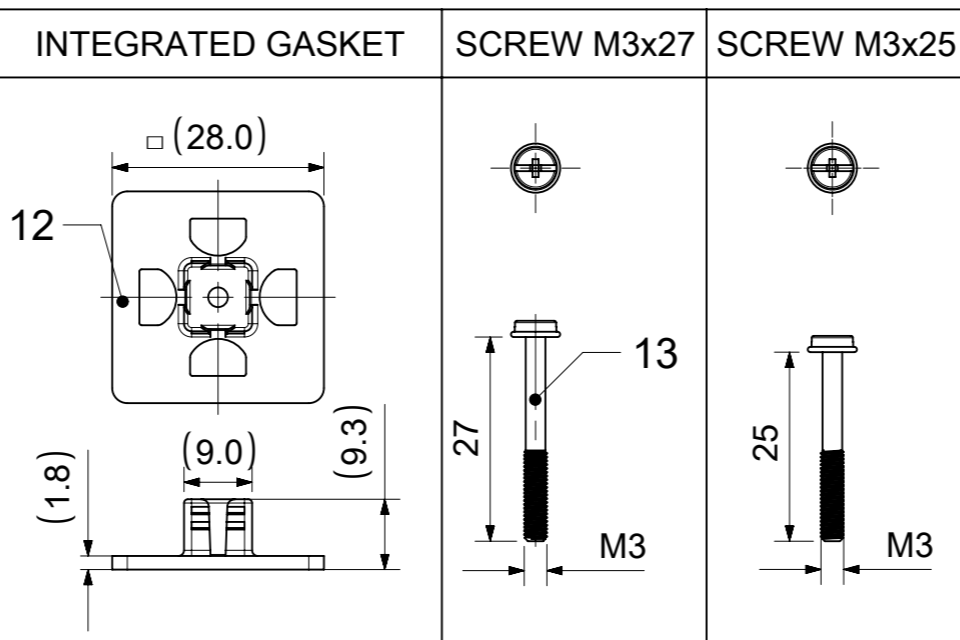
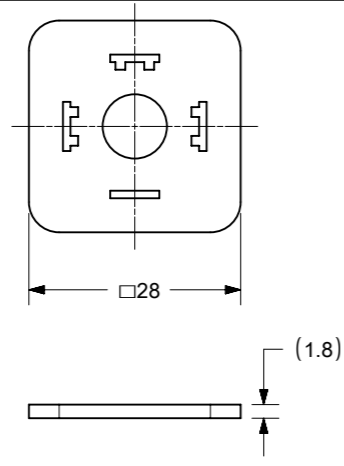
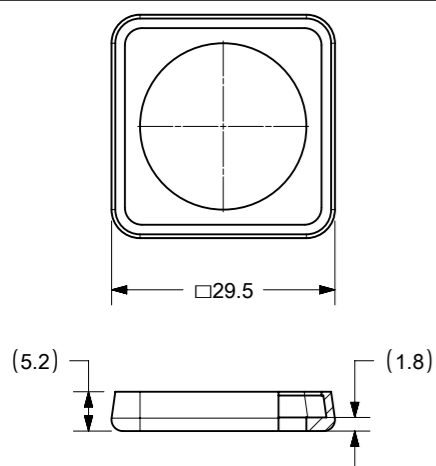


ELECTRICAL DIAGRAM C3



PROFIED GASKET

FLAT GASKET



NOTES :

- ELECTRICAL - CURRENT : MAX. 5.0A
- CONTACT RESISTANCE : ≤15 milliohms MAX.
- INSULATION RESISTANCE : 100 Megaohms MIN.
- PHYSICAL - OPERATING TEMPERATURE WITH : NITRILE RUBBER (NBR) GASKET : -40°C TO +90°C
- LIVE CONTACT DISTANCE : FORM A - 18.00mm
- ENVIRONMENTAL - IP65 SEALING PROTECTION(FIXING SCREW)

| | | | | | |
|---|--|--|--|----------------------------|--|
| THIS DRAWING CONTAINS INFORMATION THAT IS PROPRIETARY TO MOLEX ELECTRONIC TECHNOLOGIES, LLC AND SHOULD NOT BE USED WITHOUT WRITTEN PERMISSION | | CURRENT REV DESC: ENG NO. CORRECTED FOR P/N - 1210550158 | | molex | |
| DIMENSION UNITS: mm | | SCALE: 1:1 | | | |
| GENERAL TOLERANCES (UNLESS SPECIFIED) | | | | DUAL DIN E65 FORM A + M12 | |
| ANGULAR TOL ± 1.0° | | | | PRODUCT CUSTOMER DRAWING | |
| 4 PLACES ± | | EC NO: 660219 | | DOCUMENT NUMBER | |
| 3 PLACES ± | | DRWN: SSM | | DOC TYPE DOC PART REVISION | |
| 2 PLACES ± 0.05 | | CHK'D: RSILLER | | 1210550354 PSD 000 A3 | |
| 1 PLACE ± 0.3 | | APPR: RSILLER | | MATERIAL NUMBER | |
| 0 PLACES ± 0.5 | | INITIAL REVISION: | | CUSTOMER | |
| DRAFT WHERE APPLICABLE MUST REMAIN WITHIN DIMENSIONS | | DRWN: SSM | | GENERAL MARKET | |
| THIRD ANGLE PROJECTION | | APPR: THAERDT | | SHEET NUMBER | |
| DRAWING: A3-SIZE | | SERIES: 121055 | | 1 OF 2 | |

ENG No. MATRIX

E 6 5 A P 2 N X X X X X X X X

E6 - OVERMOLDED DUAL DIN CORDSET

5 - FORM A

A = M12 STRAIGHT

Cable type: P2-PUR 20AWG

Cable Length in Meters (L):
A=1
B=1.5
C=2
V=13

Head Colour:
N - Black

Cable Length in cm Between 2 connectors (L1)
13=13 cm
20=20 cm
25=25 cm

Earth PIN Location:
1=Double Earth on 6H and 12H
2=H12

Internal Circuit see Wiring Configuration

Voltage and LED color
B= 24V Green
2= 24V Red
H= 24V Yellow

Type of Gasket and Screw:
1 = NBR Profile Gasket+Fixing Screw M3X25mm
2 = NBR Flat Gasket + Fixing Screw M3x25mm
P = NBR Integrated Gasket + Fixing Screw with Washer M3x27mm Assembled on Connector

CABLE SPECIFICATION :

| CABLE ITEM No. | CROSS SECTION | JACKET | COLOR | STATIC TEMPERATURE | DYNAMIC TEMPERATURE | VOLTAGE RATING |
|----------------|-----------------------|--------|-------|--------------------|---------------------|----------------|
| CABLE -1 | 5x0.50mm ² | PUR | BLACK | -25°C TO +90°C | -5°C TO +90°C | 300V |
| CABLE -2 | 3x0.50mm ² | PUR | BLACK | -30°C TO +90°C | -5°C TO +90°C | 300V |

BOM

| ITEM | QTY | DESCRIPTION | MATERIAL | FINISH/COLOR |
|------|-----|--------------------------------|----------|------------------|
| 13 | 2 | SCREW M3X27 WITH WASHER M3 | - | - |
| 12 | 2 | GASKET | NBR | - |
| 11 | 2 | LABEL; PLASTIC 9X20 | ABS | WHITE |
| 10 | 1 | PCB WITH ELECTRONIC COMPONENTS | - | SEE PART No. KEY |
| 9 | 1 | | | |
| 8 | 2 | MOUNTED INSERT ASSY 2P+2T | UL94-V0 | BLACK |
| 7 | 1 | COUPLING NUT M12 MALE | BRASS | NICKEL |
| 6 | 5 | CONTACT 10 MALE | BRONZE | GOLD OVER NICKEL |
| 5 | 1 | INSERT MALE 5P | PUR | BLACK |
| 4 | - | MOULDING MATERIAL | PP | BLACK |
| 3 | - | MOULDING MATERIAL | TPU | BLACK |
| 2 | - | CABLE-2 3X0.5MM | PUR | BLACK |
| 1 | - | CABLE-1 5X0.5MM | PUR | BLACK |

PART LIST

| MOLEX PN | ENGINEERING NO. | L[mm] | L1[mm] |
|------------|-----------------|-------|--------|
| 1210550130 | E65AP2NA2011C4H | 1000 | 200 |
| 1210550131 | E65AP2NB2011C4H | 1500 | 200 |
| 1210550158 | E65AP2NA201PC4H | 1000 | 200 |
| 1210550170 | E65AP2NA131PC32 | 1000 | 130 |
| 1210550208 | E65AP2NA1311C4B | 1000 | 130 |
| 1210550250 | E65AP2NA1322C4B | 1000 | 130 |
| 1210550264 | E65AP2NA1312C4B | 1000 | 130 |
| 1210550354 | E65AP2NA131PC4B | 1000 | 130 |
| 1210550355 | E65AP2NA251PC4B | 1000 | 250 |
| 1210550356 | E65AP2NV131PC4B | 13000 | 130 |

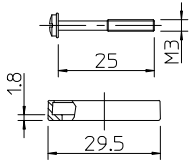
| OVER | UP TO AND INCLUDING | TOLERANCE |
|-------|---------------------|-----------|
| 0 | 500 | -10/+20 |
| 500 | 1000 | ±20 |
| 1000 | 3000 | ±30 |
| 3000 | 5000 | ±40 |
| 5000 | 10000 | ±50 |
| 10000 | 15000 | ±100 |
| 15000 | 20000 | ±150 |
| 20000 | | ±L/100 |

THIS DRAWING CONTAINS INFORMATION THAT IS PROPRIETARY TO MOLEX ELECTRONIC TECHNOLOGIES, LLC AND SHOULD NOT BE USED WITHOUT WRITTEN PERMISSION

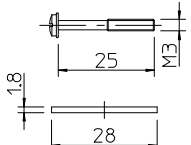
| | | | | | |
|--|--------|--|----------------------------|--|--|
| DIMENSION UNITS | SCALE | CURRENT REV DESC: ENG NO. CORRECTED FOR P/N - 1210550158 | molex | | |
| mm | 1:1 | | | | |
| GENERAL TOLERANCES (UNLESS SPECIFIED) | | | DUAL DIN E65 FORM A + M12 | | |
| ANGULAR TOL | ± 1.0° | | PRODUCT CUSTOMER DRAWING | | |
| 4 PLACES | ± | EC NO: 660219 | DOCUMENT NUMBER | | |
| 3 PLACES | ± | DRWN: SSM 2021/03/25 | 1210550354 | | |
| 2 PLACES | ± 0.05 | CHK'D: RSILLER 2021/04/07 | DOC TYPE DOC PART REVISION | | |
| 1 PLACE | ± 0.3 | APPR: RSILLER 2021/04/07 | PSD 000 A3 | | |
| 0 PLACES | ± 0.5 | INITIAL REVISION: | SHEET NUMBER | | |
| DRAFT WHERE APPLICABLE MUST REMAIN WITHIN DIMENSIONS | | DRWN: SSM 2018/12/20 | 2 OF 2 | | |
| THIRD ANGLE PROJECTION | | APPR: THAERDT 2018/12/21 | MATERIAL NUMBER CUSTOMER | | |
| DRAWING | | A3-SIZE | SERIES 121055 | | |
| SEE PART LIST | | GENERAL MARKET | | | |

10 9 8 7 6 5 4 3 2 1

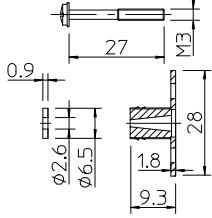
Screw M3x25
and Profile Gasket
Qty 2
(See sheet 2)



Screw M3x25
and Flat Gasket
Qty 2
(See sheet 2)



Screw M3x27
with Grommet
& Integrated Gasket
Qty 2
(See sheet 2)



PART NUMBER MATRIX

E 6 5

A X X X X X 1 X X X X

E65-Form A
(6mm contact spacing)

Number of poles:
A-M12 straight

Cable type:
N-PC
I-CEI
P-PUR
A-PCV CSA-UL
B-PUR CSA-UL

Cable cross section area:
2-0.5 mm² (20AWG)
3-0.75 mm² (18AWG)

Head colour:
A-Black
B-Black
C-Black
D-Black
E-Black
F-Black
G-Black
H-Black
I-Black
J-Black
K-Black
L-Black

L - Cable length:
Q-M12 moulded on the DN head
A-100mm
B-150mm
C-200mm
D-250mm
E-300mm
F-350mm
G-400mm
H-450mm
I-500mm
J-550mm
K-600mm
L-600mm

L1 - Distance between the two head in cm
P-4500mm
Q-7000mm
R-7500mm
S-8000mm
T-8500mm
U-9000mm
V-9000mm
W-9000mm
X-9000mm
Y-9000mm
Z-9000mm

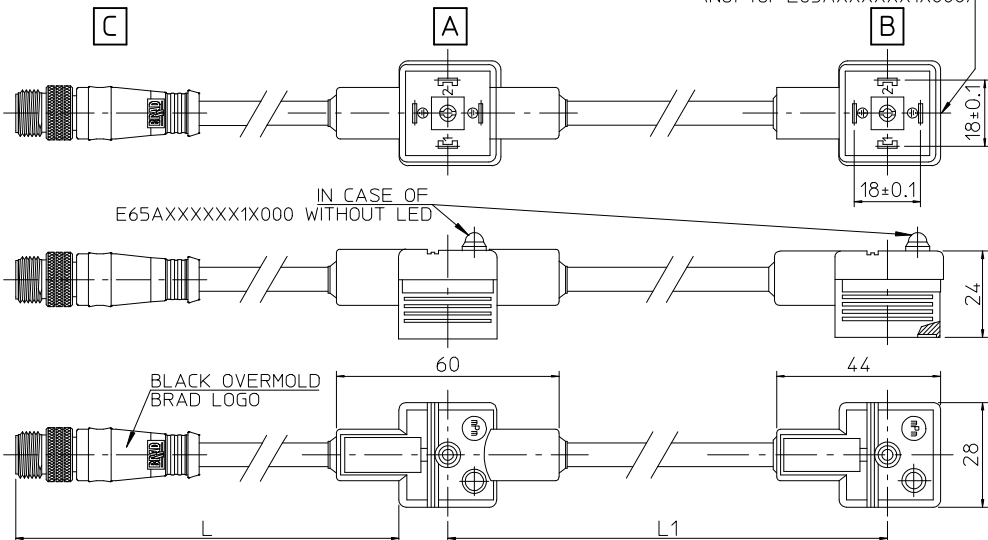
Earth pin location:
I-46/M12

Gasket screws:
1-NBR profile gasket+screw
2-NBR flat gasket+screw
3-Silicon profile gasket+screw
4-Silicon flat gasket+screw
5-NBR integrated gasket+screw (IP67)
6-NBR integrated gasket+titanium steel screw (IP 67)

Internal circuit type:
K-NBR integrated gasket+titanium steel screw (IP 67)

Supply voltage and LED colour:
1 - 5-Red LED
A - E-Green LED
6 - M-Amber LED
1A-G-12V
2B-H-24V
3-G-48V
4-DL-15V
5-E-M-230V

EXAMPLE:
E65AP2NA2011C4H



CIRCUIT TAMPO PRINTOUT/WHITE
(Not for E65AXXXXXX1X000)

Table of length tolerances [mm]

| Over | Up to and including | Tolerance |
|-------|---------------------|-----------|
| 0 | 1000 | ±20 |
| 1000 | 3000 | ±30 |
| 3000 | 5000 | ±40 |
| 5000 | 10000 | ±50 |
| 10000 | 15000 | ±100 |
| 15000 | 20000 | ±150 |
| 20000 | | ±L/100 |

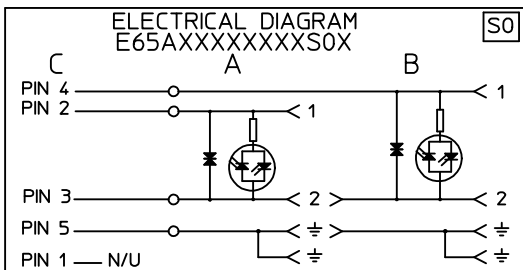
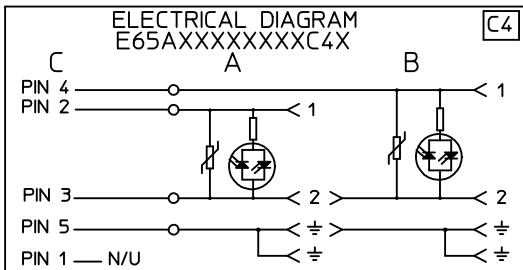
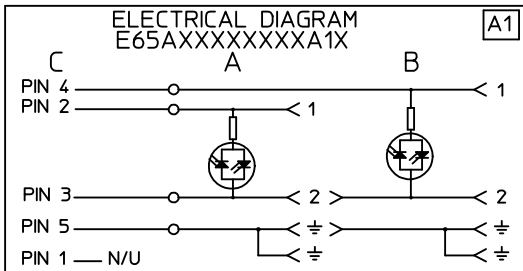
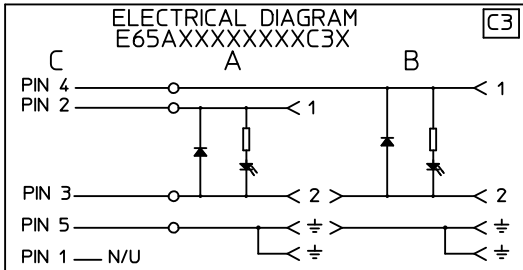
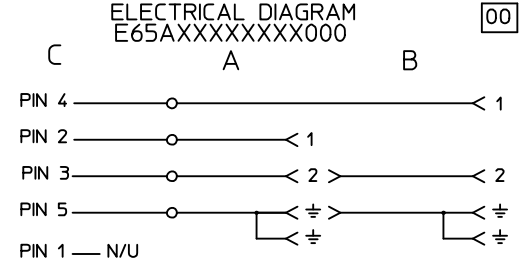


Table 1 - PNs list

| Molex PN | Engineering No. | L [mm] | L1 [mm] |
|------------|-----------------|--------|---------|
| 1210550072 | E65AI2NY1411C4H | 500 | 140 |
| 1210550130 | E65AP2NA2011C4H | 1000 | 200 |
| 1210550131 | E65AP2NB2011C4H | 1500 | 200 |
| 1210550138 | E65AP2NC2011C4H | 2000 | 200 |
| 1210550158 | E65AP2NA201PC4H | 1000 | 200 |
| 1210550170 | E65AP2NA131PC32 | 1000 | 130 |
| 1210550178 | E65AP2NA3011C4L | 1000 | 300 |
| 1210550208 | E65AP2NA1311C4B | 1000 | 130 |
| 1210550250 | E65AP2NA1322C4B | 1000 | 130 |
| 1210550260 | E65AP3NB201PSOH | 1500 | 200 |
| 1210550264 | E65AP2NA1312C4B | 1000 | 130 |
| 1210550305 | E65AP2NC201KSOH | 2000 | 200 |
| 1210550319 | E65AI3NB1411C4H | 1500 | 140 |
| 1210550320 | E65AI3NE1411C4H | 3000 | 140 |

ORIGINAL RELEASE
EC NO: IPG2016-0461
DRWN: JMARSZALEK 2013/10/30
CHKD:
APPR: MIWASIECZKO 2015/09/28

QUALITY SYMBOLS
▽=0
◁=0

DESCRIPTION
A

REV

GENERAL TOLERANCES (UNLESS SPECIFIED)

| | mm | INCH |
|----------|-------|-------|
| 4 PLACES | ± --- | ± --- |
| 3 PLACES | ± --- | ± --- |
| 2 PLACES | ± --- | ± --- |
| 1 PLACE | ± --- | ± --- |
| 0 PLACE | ± --- | ± --- |

ANGULAR ±---°

DRAFT WHERE APPLICABLE MUST REMAIN WITHIN DIMENSIONS

DIMENSION STYLE
MM ONLY

DRAWN BY: JMARSZALEK
DATE: 2013/10/30

CHECKED BY: _____
DATE: _____

APPROVED BY: MIWASIECZKO
DATE: 2015/09/28

MATERIAL NO. SEE TABLE 1

SIZE A3

SCALE -
DESIGN UNITS METRIC

THIRD ANGLE PROJECTION

TITLE
E65AXXXXXX1XXXX
DUAL DIN FORM A WITH M12

molex

DOCUMENT NO. SD-121055-007
SHEET NO. 1 OF 1

THIS DRAWING CONTAINS INFORMATION THAT IS PROPRIETARY TO MOLEX INCORPORATED AND SHOULD NOT BE USED WITHOUT WRITTEN PERMISSION

9 8 7 6 5 4 3 2 1